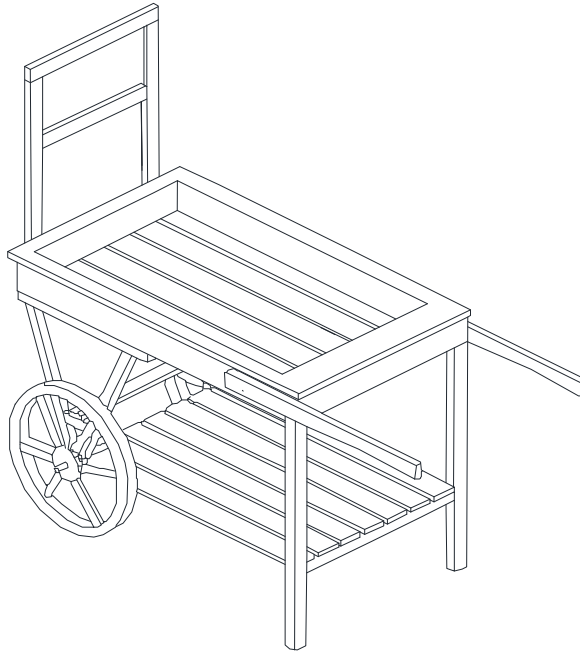


ASSEMBLY INTRUCTION

ITEM#: S-GW091PWD



WARNING:

Repeated assembly can weaken the locking ability of the screw/bolt/nut. Periodically check all bolted connections on your product to make sure they are tight and secure. Keep these instructions for future reference.

Some parts may contain sharp edges. Wear protective gloves as necessary.

This unit can be used both as a decorative and functional item, it does NOT accommodate any vehicles.

Set it up on the level ground.

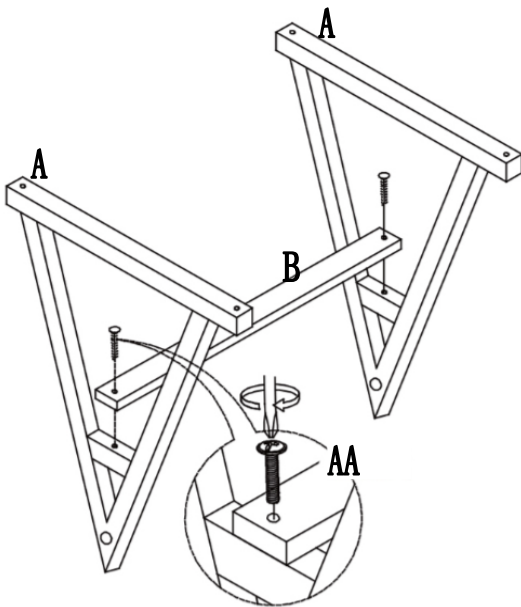
Attention: Please notice there are split lines in the wood logs. These are NOT defects. These are factory created to allow expansion and contracting as the weather changes throughout the year.

Important: For technical assistance on assembly or replacement parts, please call Sunjoy Industries at 1(866) 578-6569 from 8:00 AM EST to 8:00 PM PST. You may email to customer.care@sunjoygroup.com or visit www.sunjoyonline.com to place your order or fax your parts replacement order form (which included in the packaging) together with your purchase receipt to 1 (740) 283-3549 for assistance.

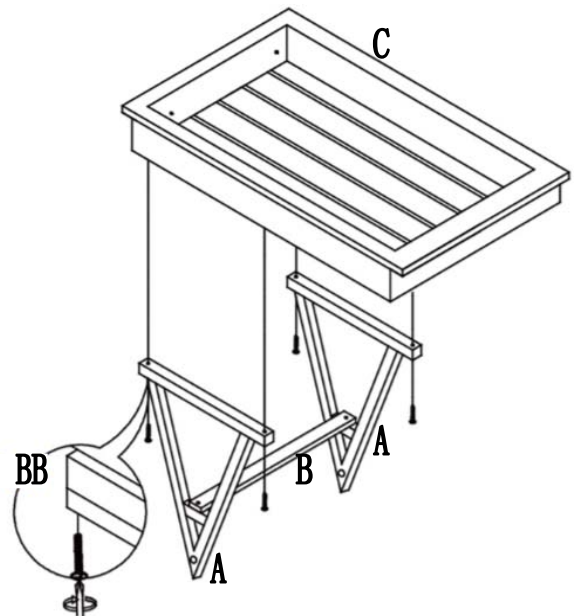
PARTS LIST		
PART#	DESCRIPTION	QTY
A	Triangle side panel	2
B	Connect batten	1
C	Basket	1
D	Support Bar	1
E	Wheel	2
F	Support panel	1
G	Shelf	1
H	Armrest batten	2
I	Blackboard	1

HARDWARE PACK		
PART#	DESCRIPTION	QTY
AA	Bolt M6x25	10
BB	Bolt M6x35	4
CC	Bolt M6x60	2

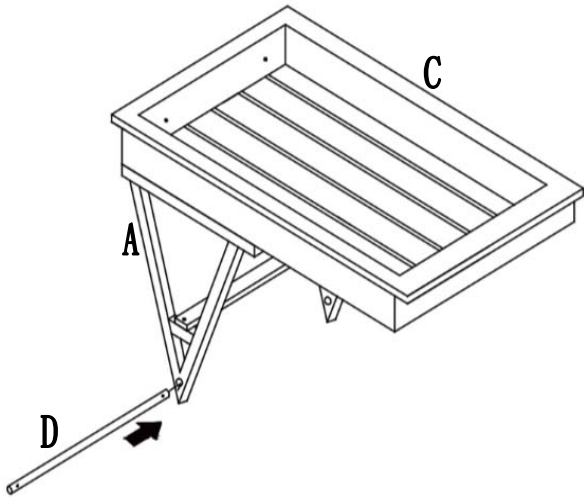
ASSEMBLY STEPS



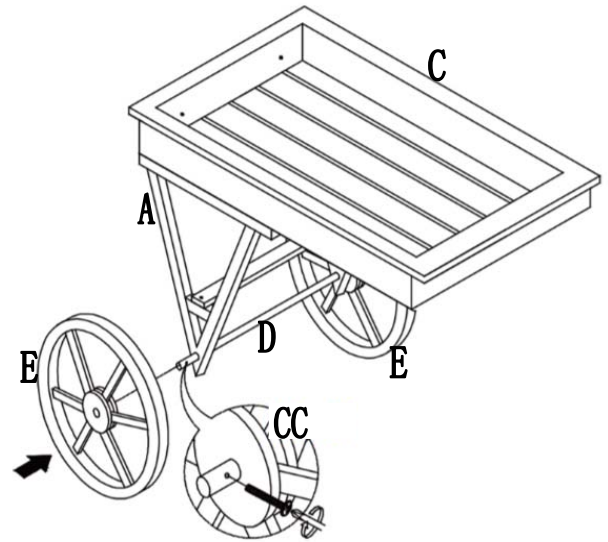
Step 1: Attach Triangle side panel (A) and Connect batten (B) with Bolt (AA).



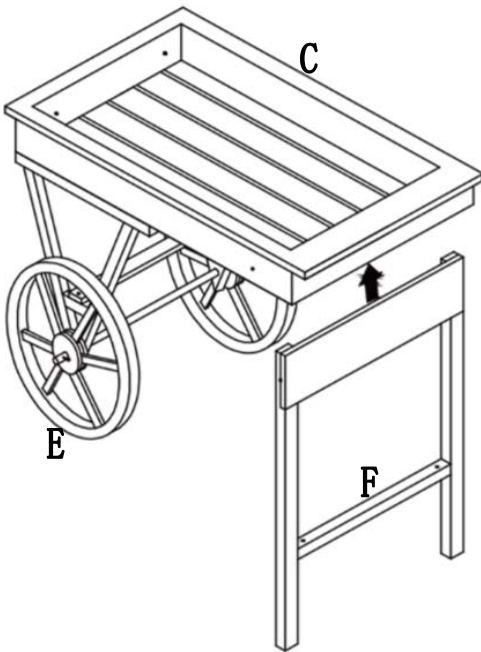
Step 2: Attach Triangle side panel (A) and Basket (C) with Bolt (BB).



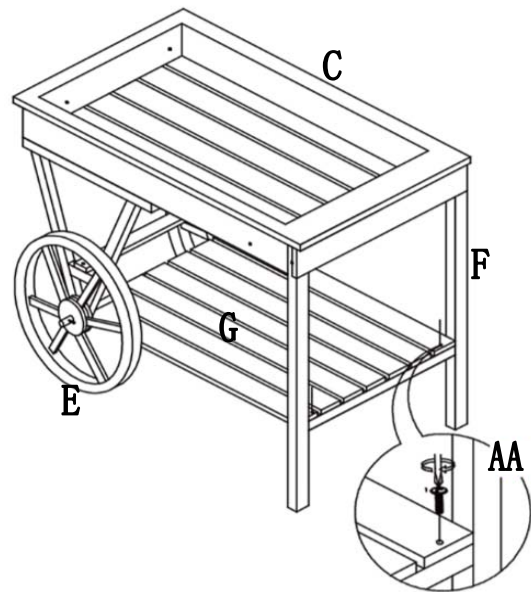
Step 3: Insert Support bar (D) into Triangle side panel (A).



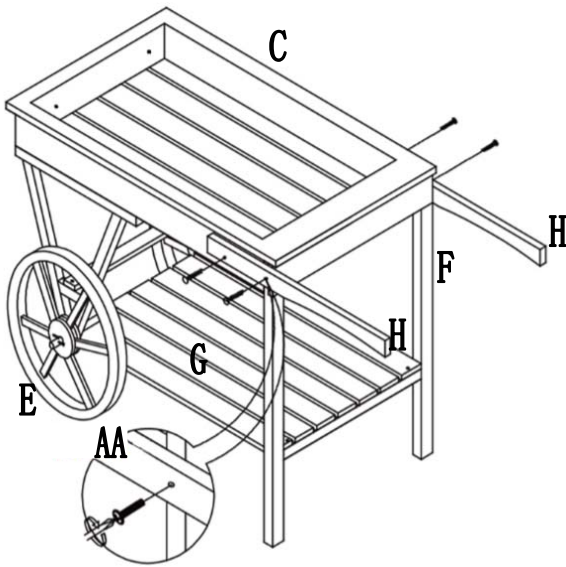
Step 4: Attach Wheel (E) and Support bar (D) with Bolt (CC).



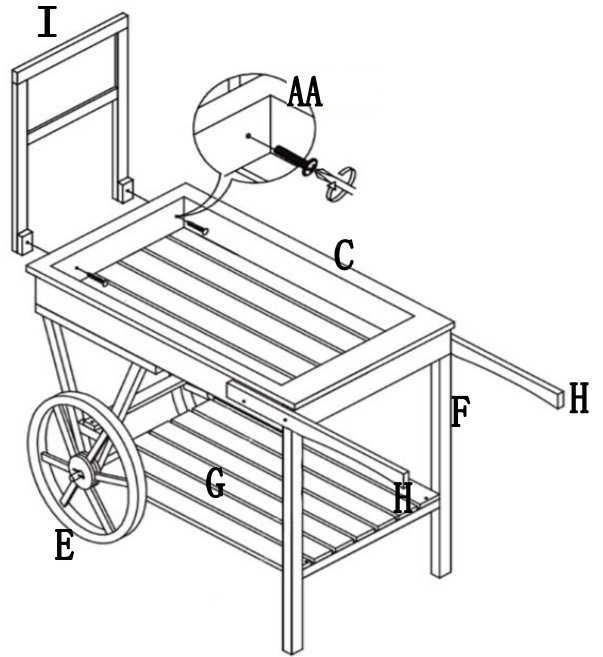
Step 5: Put Basket (C) on Support panel (F).



Step 6: Attach Shelf (G) and Support panel (F) with Bolt (AA).



Step 7: Attach Armrest batten (H), Basket (C) and Support panel (F) with Bolt (AA).



Step 8: Attach Blackboard (I) and Basket (C) with Bolt (AA).

Limited Warranty:

This limited warranty is extended to the original purchaser and applies to defects in materials and workmanship of your item provided the item is maintained with care and used only for personal, residential purposes. The item is warranted to be free from defects in material or workmanship for a period of six (6) months. We do not reimburse for transportation or delivery costs, nor compensate the individual or any outside party for assembling or disassembling the product.

Exclusions:

Items used for commercial, contract, or other non-residential purposes, or items damaged due to acts of nature, vandalism, misuse, or improper assembly are not covered. Corrosion or rusting of hardware is not covered. Proof of purchase (dated register receipt) is required for warranty claims. Warranty is to the original purchaser and is non-transferable. Any replacement of warranted items will be in the original style and color, or a similar style and color if the original is unavailable or has been discontinued. As some states do not allow exclusions or limitations on an implied warranty, the above exclusions and limitations may not apply. This warranty gives you specific rights, and you may also have other rights, which vary from state to state.