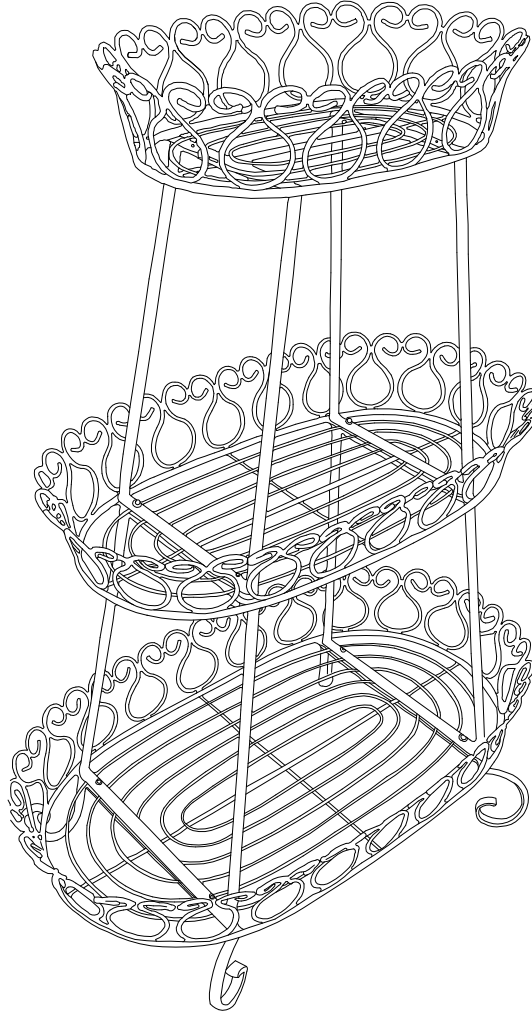


ASSEMBLY INTRUCTION

ITEM#: D-PS792PWI



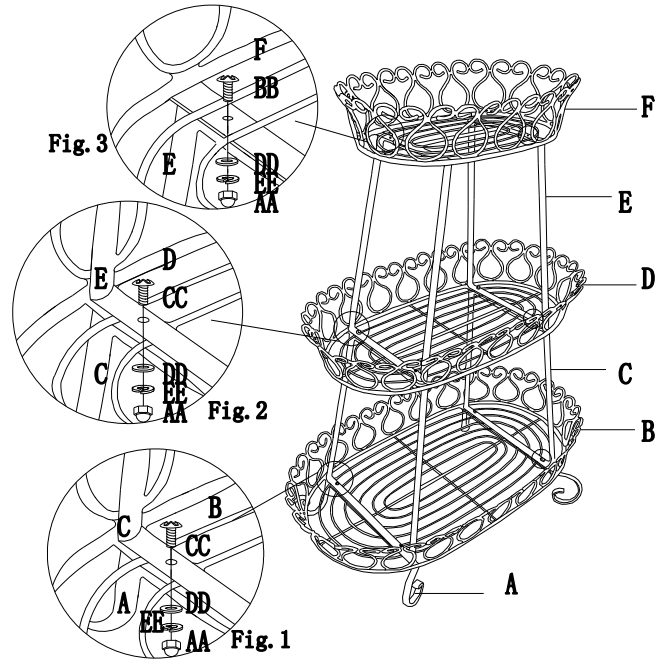
WARNINGS AND CAUTIONS:

- Tighten the screws and nuts but **DO NOT** overtighten them.
- **DO NOT** operate if any part is damaged or broken.
- Place the Plant Stand in an area away from children and pets.
- Only for garden decoration, not a functional tool.

Important: For technical assistance on assembly or replacement parts, please call Sunjoy Industries at 1(866) 578-6569 from 8:00 AM EST to 8:00 PM PST. You may email to customer.care@sunjoygroup.com or visit www.sunjoyonline.com to place your order or fax your parts replacement order form (which is included in the packaging) together with your purchase receipt to 1 (740) 283-3549 for assistance.

PARTS LIST		
PART#	DESCRIPTION	QTY
A	Leg	2
B	Bottom basket	1
C	Bottom support frame	2
D	Mid basket	1
E	Top support frame	2
F	Top basket	1

HARDWARE PACK		
PART#	DESCRIPTION	QTY
AA	M6 Nut	12
BB	M6x15 mm Bolt	4
CC	M6x25mm Bolt	8
DD	M6 Flat washer	12
EE	M6 Spring washer	12
WW	M6 wrench	1



ASSEMBLY STEPS

Step 1: Connect Leg (A), Bottom basket (B) and Bottom support frame (C) by using bolt (CC), spring washer (EE), flat washer (DD), and nut (AA) as Fig.1. **Please do not tighten them here.**

Step 2: Connect Bottom support frame (C), Mid basket (D) and Top support frame (E) by using bolt (CC), spring washer (EE), flat washer (DD) and nut (AA) as Fig.2. **Please do not tighten them here.**

Step 3: Connect Top support frame (E) and Top basket (F) by using bolt (BB), spring washer (EE), flat washer (DD) and nut (AA) as Fig.3. **Please tighten all of the bolts here by using wrench (WW).**

Now, your Plant Stand is ready for use.

CARE AND MAINTENANCE:

To extend the life of garden cart, cover it in bad weather.

Due to natural properties of steel material, if rust develops, please clean rust area by sanding slightly, then wipe thoroughly and apply touch-up paint if possible.

Limited Warranty: The item is warranted to be free from defects in material or workmanship for a period of six (6) months. However, we do not reimburse for transportation or delivery costs, nor compensate the individual or any outside party for assembling or disassembling the product. This limited warranty is extended to the original purchaser and applies to defects in materials and workmanship of your item, provided the item is maintained with care and used only for personal residential purposes.