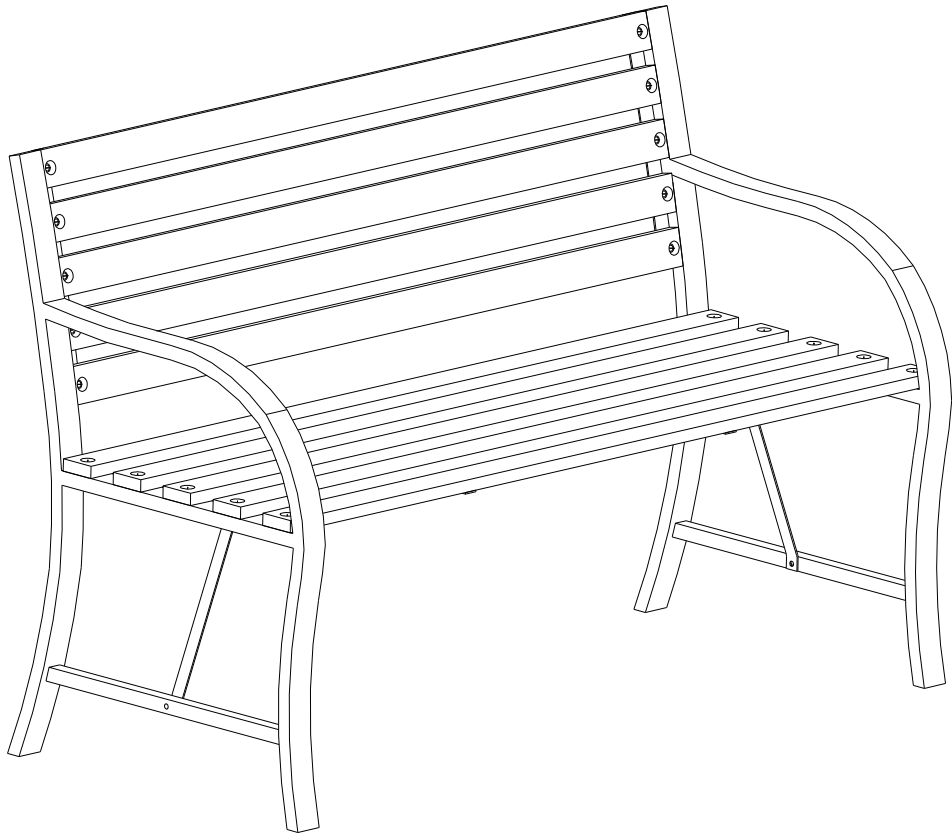


ASSEMBLY INTRUCTION

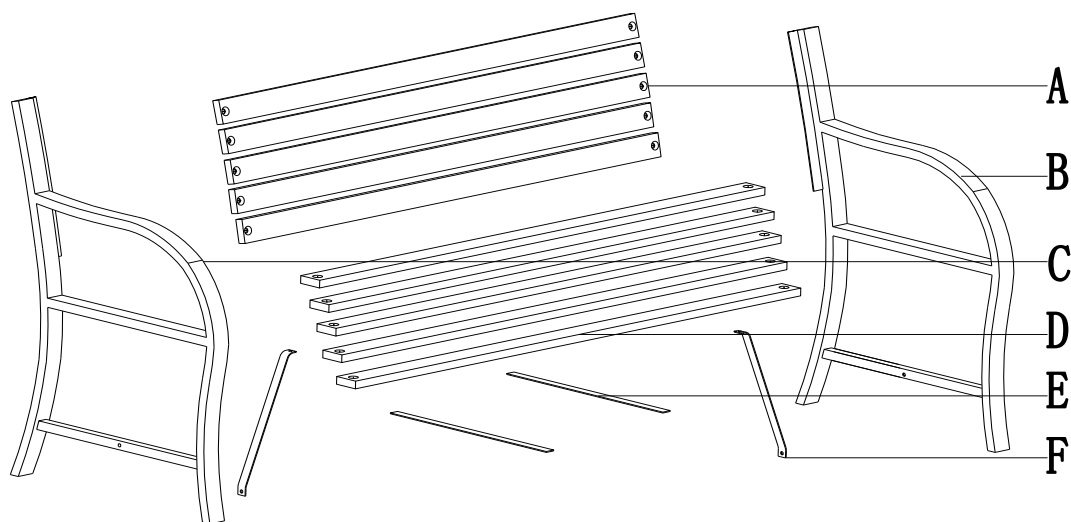
ITEM#: D-PB122PST



Warning

- Some parts may contain sharp edges. When assembling and using this product, basic safety precautions should always be followed to reduce the risk of personal injury and damage to the product. Please read all instructions before assembly and use.
- Check all bolts for tightness before use, and periodically check and tighten bolts as necessary.


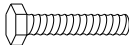
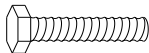

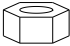
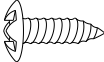
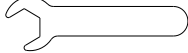

Important: For technical assistance on assembly or replacement parts, please call Sunjoy Industries at 1(866) 578-6569 from 8:00 AM EST to 8:00 PM PST. You may email to customer.care@sunjoygroup.com or visit www.sunjoyonline.com to place your order or fax your parts replacement order form (which is included in the packaging) together with your purchase receipt to 1 (740) 283-3549 for assistance.



PARTS LIST

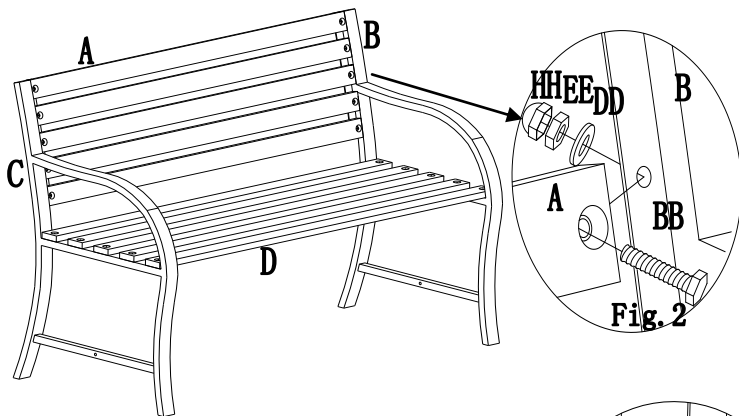
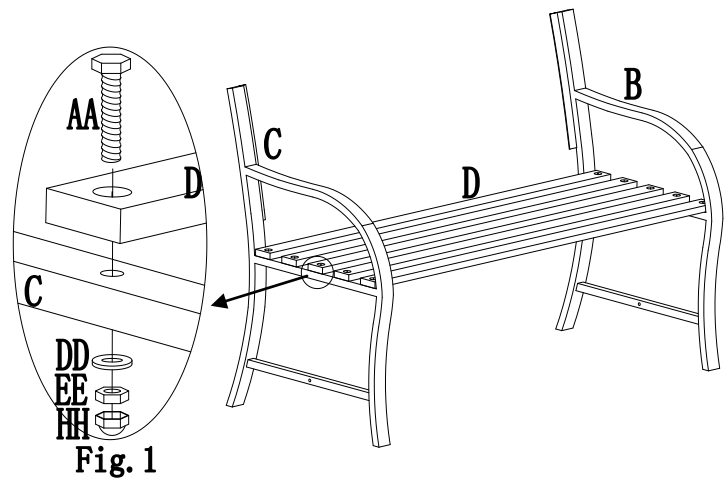
Label	Part Number	DESCRIPTION	QTY
A	PB0122XXX01	Back board	5
B	PB0122XXX02	Arm 1	1
C	PB0122XXX03	Arm 2	1
D	PB0122XXX04	Seat	5
E	PB0122XXX05	Connector	2
F	PB0122XXX06	Support bar	2

HARDWARE PACK

Label	Part Number	DESCRIPTION	QTY	LINE DRAWING OF PART
AA	BM06040E	Bolt M6x40	10	
BB	BM06025E	Bolt M6 x 25	10	
CC	BM06035E	Bolt M6x35	2	
DD	UD06E	Flat washer M6	22	
EE	LM06E	Nut M6	22	
FF	ZS04015E	Screw M4x15	12	
GG	W10D	Wrench M6	1	
HH	GM062W	Plastic cover	22	

ASSEMBLY STEPS

Step 1: Attach Seat (D) and Arm 2 (C) together with Bolt (AA), Flat washer (DD), Nut (EE) and Plastic cover (HH). Repeat this step for Arm 1 (B).



Step 2: Attach Arm 1 (B) and Back (A) together with Bolt (BB), Flat washer (DD), Nut (EE) and Plastic cover (HH). Repeat this step for Arm 2 (C).

Step 3: Connect Connector (E) and Seat (D) together with Screw (FF). Repeat this step for the second Connector (E).

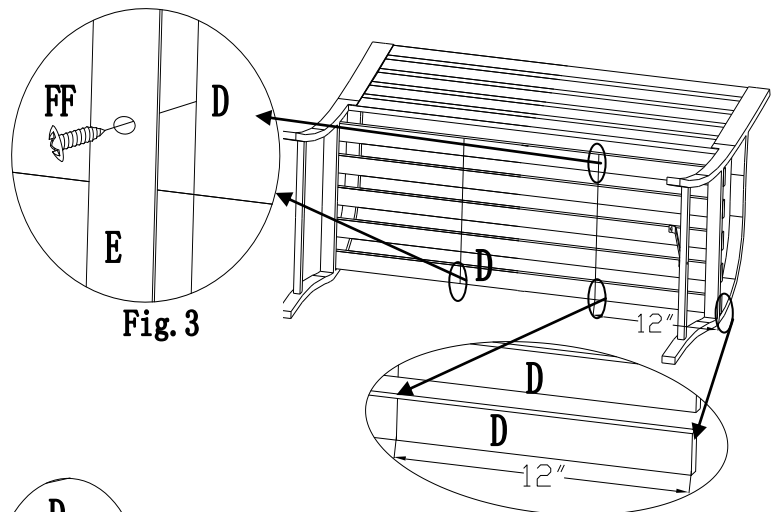
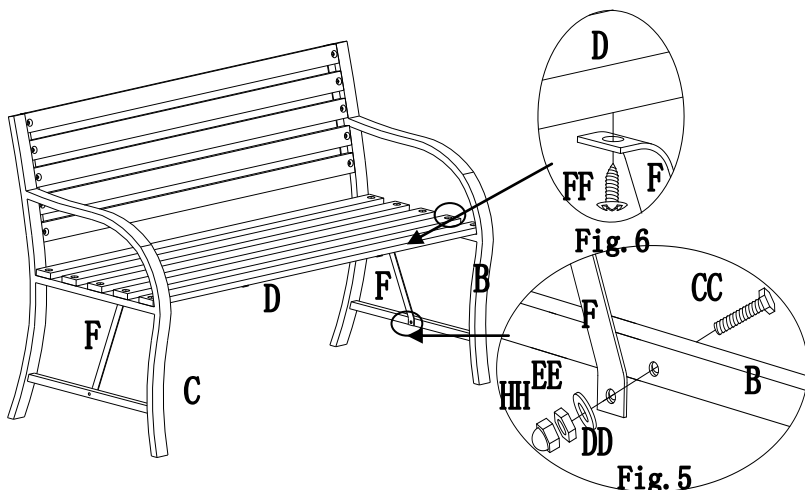


Fig. 4



Step 4: Attach Arm 1 (B) and Support beam (F) together with Bolt (CC), Flat washer (DD), Nut (EE) and Plastic cover (HH). Then connect Support beam (F) and Seat (D) with Screw (FF). Repeat the above steps for attaching Arm 2 (C), Support beam (F) and Seat (D) together.

Care & Maintenance:

- Before using, clean the product completely with a soft dry towel.
- When not in use, wipe free of any dirt or loose objects, wash with a mild solution of soap and water; rinse thoroughly and dry completely. Do not use strong detergent or abrasive cleaners.
- Steel components of garden accessories and furniture are treated with rust inhibiting paint. However, due to the nature of steel, surface oxidation (rusting) will occur if this protective coating is scratched.
- To minimize this condition, it is recommended that care be taken when assembling and handling the product, in order to prevent the paint from being scratched.

Limited Warranty: The item is warranted to be free from defects in material or workmanship for a period of twelve (12) months. However, we do not reimburse for transportation or delivery costs, nor compensate the individual or any outside party for assembling or disassembling the product. This limited warranty is extended to the original purchaser and applies to defects in materials and workmanship of your item, provided the item is maintained with care and used only for personal residential purposes.

Exclusions

Items used for commercial, contract, or other non-residential purposes, or items damaged due to acts of nature, vandalism, misuse, or improper assembly are not covered. Corrosion or rusting of hardware is not covered. Proof of purchase (dated register receipt) is required for warranty claims. Warranty is to the original purchaser and is non-transferable. Any replacement of warranted items will be in the original style and color or a similar style and color if the original is unavailable or has been discontinued. As some states do not allow exclusions or limitations on an implied warranty, the above exclusions and limitations may not apply. This warranty gives you specific rights, and you may also have other rights, which vary from state to state.