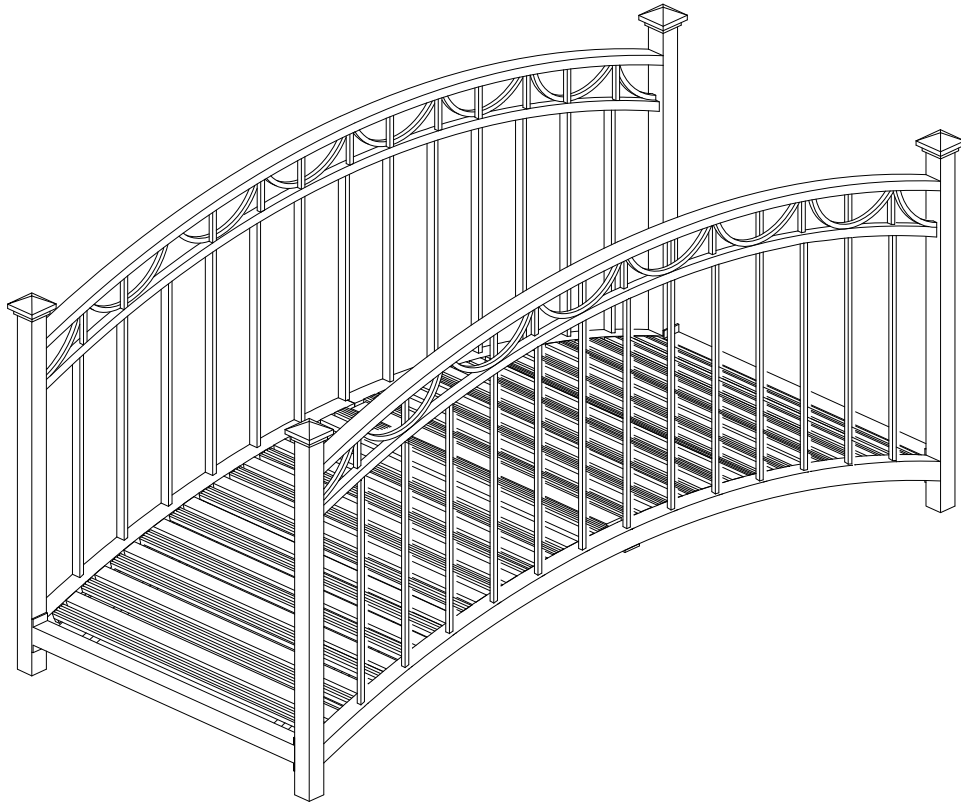


Assembly Instructions

Frances Bridge

L-BG018PST



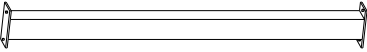


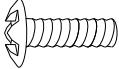

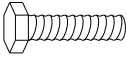

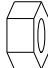
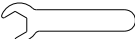


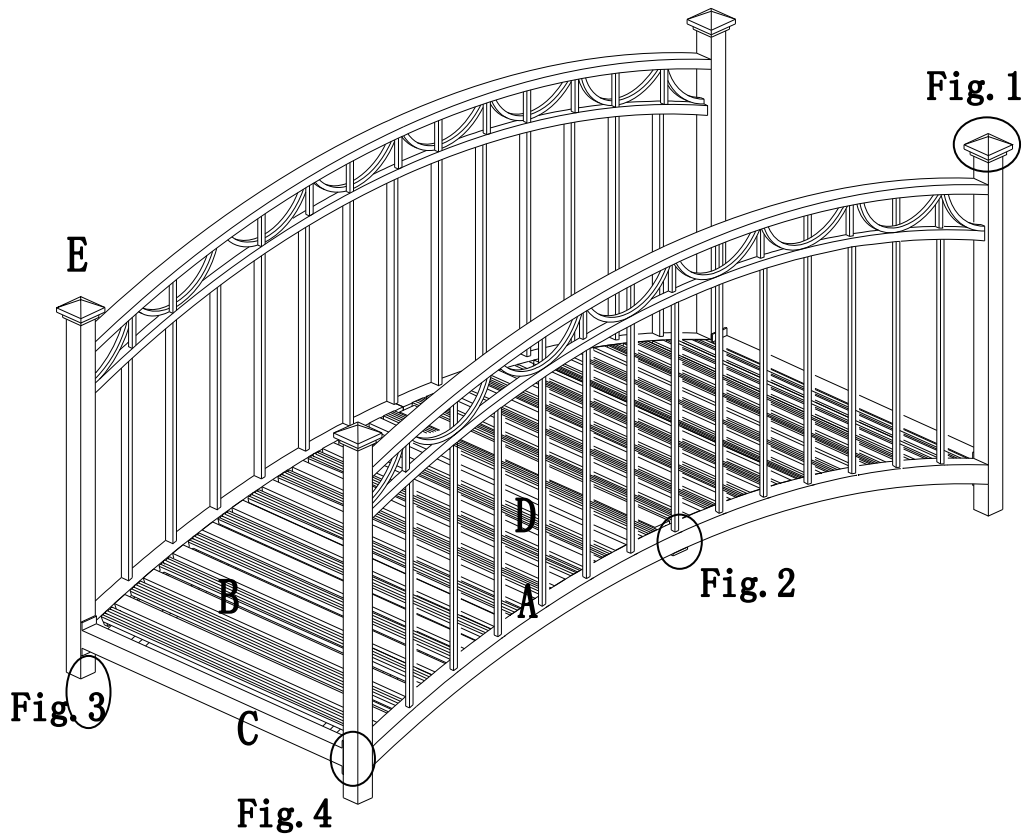
Warning

- Some parts may contain sharp edges. When assembling and using this product, basic safety precautions should always be followed to reduce the risk of personal injury and damage to the product. Please read all instructions before assembly and use.
- Check all bolts for tightness before use, and periodically check and tighten bolts as necessary.

Important: For technical assistance on assembly or replacement parts, please call Sunjoy Industries at 1(866) 578-6569 from 8:00 AM EST to 8:00 PM PST or email to customer.care@sunjoygroup.com or visit www.sunjoyonline.com to place your order or fax your parts replacement order form together with your purchase receipt to 1-740-283-3549 for assistance.

Limited Warranty: The item is warranted to be free from defects in material or workmanship for a period of 6 Months. However, we don't reimburse for transportation or delivery costs, or compensate the individual or any outside party for assembling or disassembling the product. This limited warranty is extended to the original purchaser and applies to defects in materials and workmanship of your item, provided the item is maintained with care and used only for personal residential purposes.

Parts List			
Part #	Description	Qty	Line Drawing
A	Bridge fence	2	
B	Bridge top	2	
C	Beam (end)	2	
D	Beam (center)	1	
E	Post cover	4	
AA	Bolt M6*15	8	
BB	Washer M6	8	
CC	Bolt M8*20	16	
DD	Washer M8	18	
EE	Screw M8	2	
FF	Wrench M8	1	



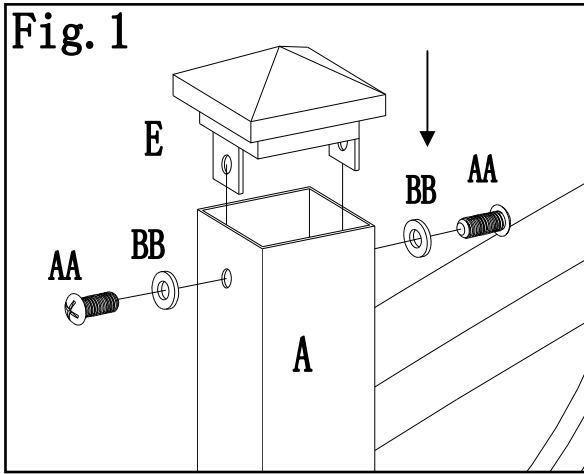


Fig.1. Insert Post cover (E) into the post of Bridge fence (A) and secure them with Bolt (AA) and Washer (BB).

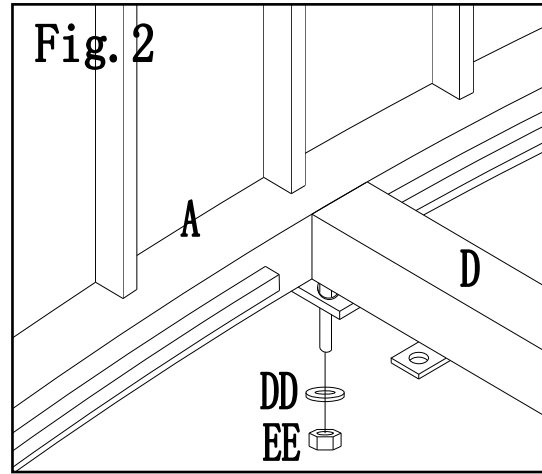


Fig.2. Attach Beam (center) (D) onto Bridge fence (A) with Bolt (EE) and Washer (DD), do not fasten them at this step.

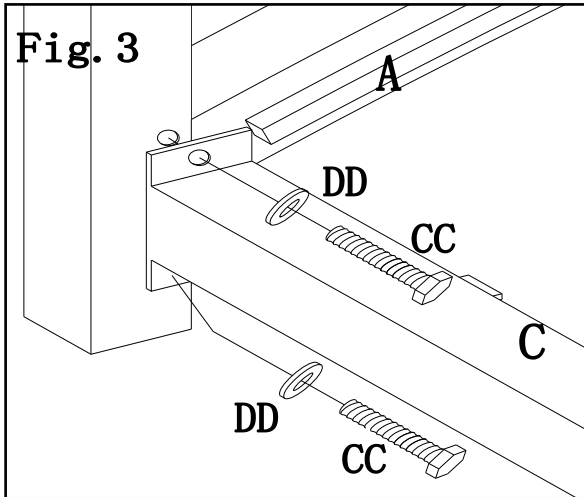


Fig.3. Attach Beam (end) (C) onto Bridge fence (A) with Bolt (CC) and Washer (DD), again do not fasten them at this step.

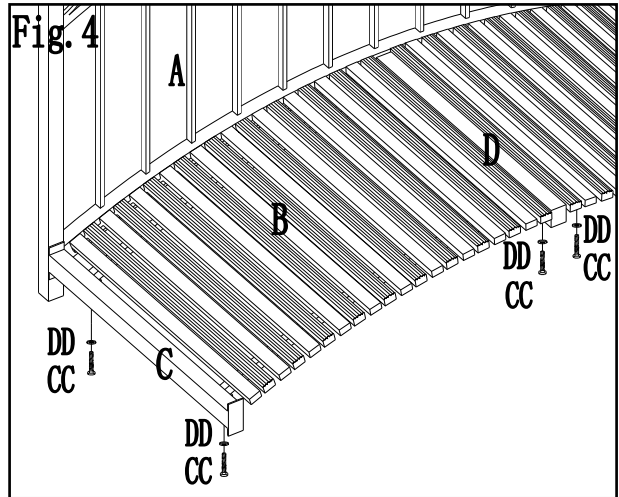


Fig.4. Put Bridge top (B) on Beam (end) (C) and Beam (center) (D) and secure them with Bolt (CC) and Washer (DD). Fasten all the bolts and washers at this step.