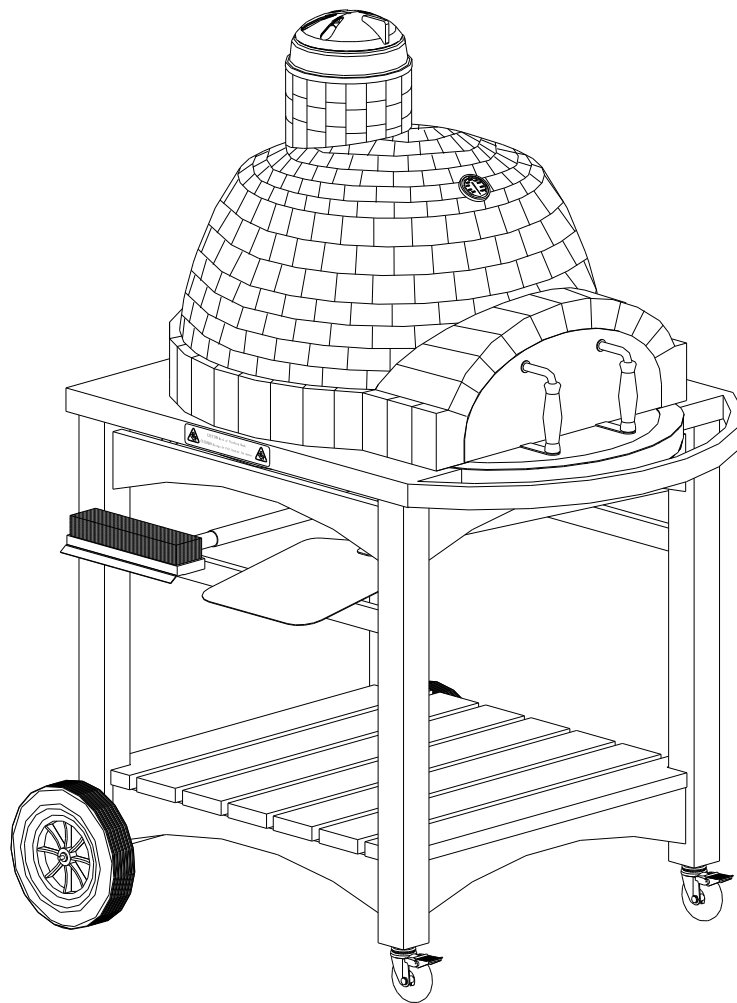


USE AND CARE GUIDE

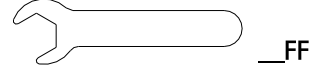
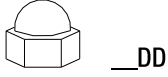
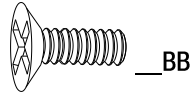
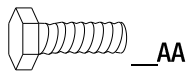
WOOD BURNING PIZZA OVEN

Article #1000856009

Model #L-BQ127PST-B

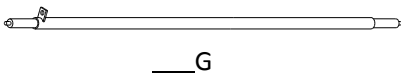
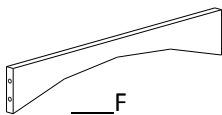
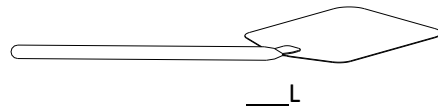
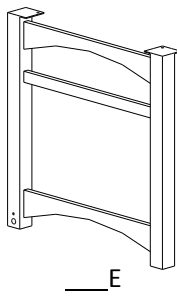
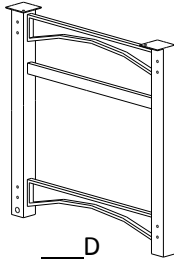
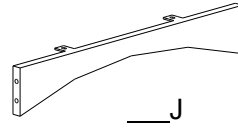
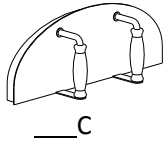
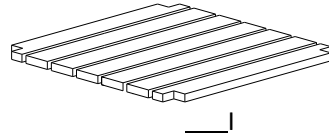
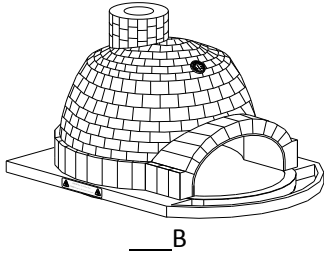
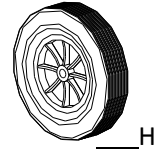
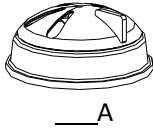


HARDWARE INCLUDED



Part	Description	Quantity
AA	Bolt M6*20	24
BB	Blot M6*15	1
CC	Washer D15	24
DD	Nut M6	2
EE	Washer D28	2
FF	Wrench M6	1

PACKAGE CONTENTS

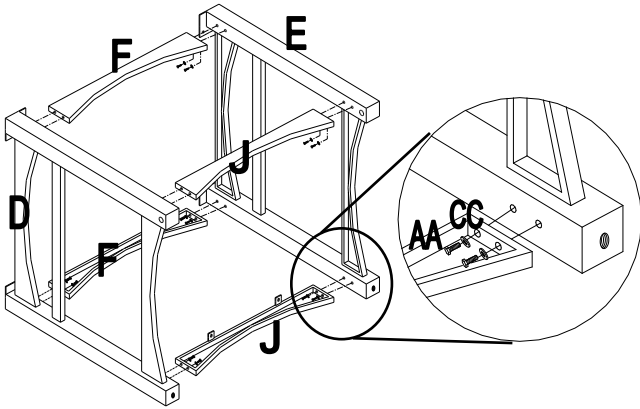


PART LIST

No.	Name	Quantity
A	Chimney	1
B	Furnace	1
C	Door	1
D	Side Board 1	1
E	Side Board 2	1
F	Up Support Bar	2
G	Spindle	1
H	Wheel	2
I	Bottom Board	1
J	Bottom Support Bar	2
K	Braked wheel	2
L	Shovel	1
M	Brush	1

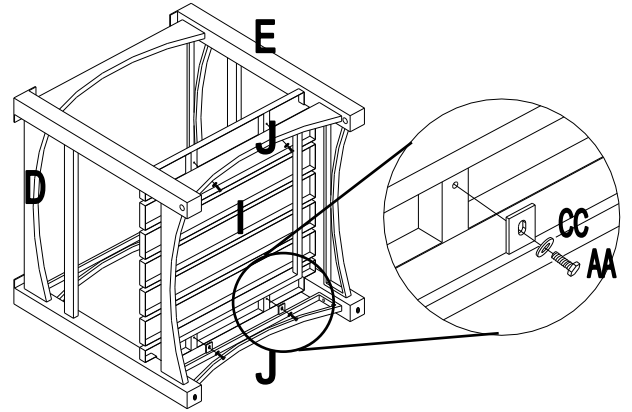
Step 1

Place as below image, connect Side Board (D&E) with Support Bar (F&J), using Bolt (AA) and Washer (CC), do not tighten here.



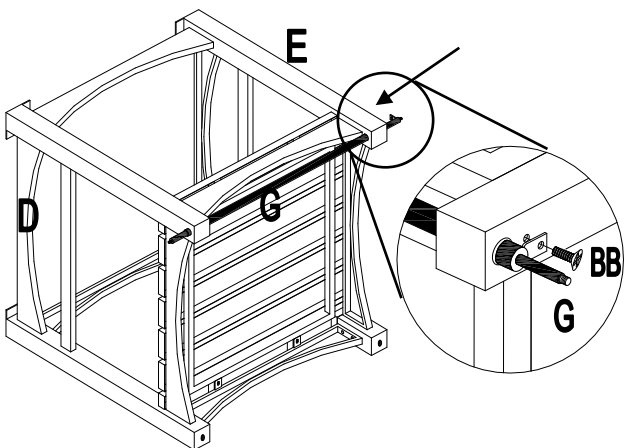
Step 2

Connect Bottom Support Bar(J) with Bottom Board(I) by Bolt (AA) and Washer(CC), Tighten all the Bolts here including bolts in step 1



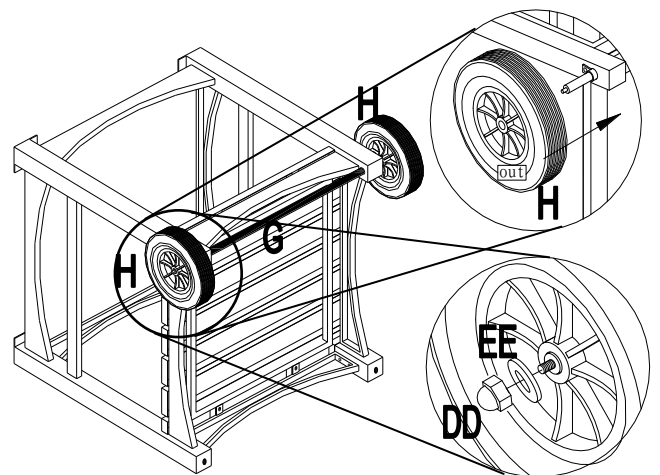
Step 3

Insert the Spindle(G) into Side Board (D&E),tighten the Spindle(G) with Side Board (D&E) by Bolt (BB)



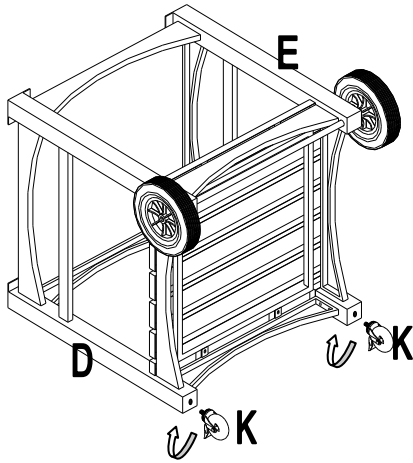
Step 4

Insert Wheel (H) to Spindle (G) and fix them tightly by Washer (EE) and Nut (DD).
(Note: the side of wheel with "OUT" outwards)



Step 5

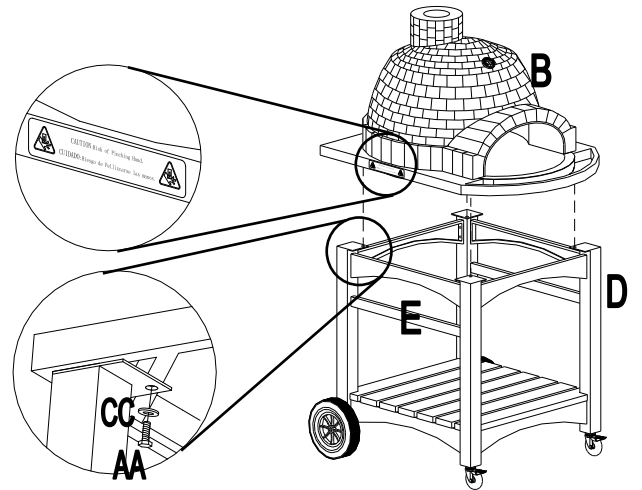
Insert the Braked wheels (K) at the bottom of the Side Boards (D&E).



Step 6

Turn over the assembled pizza oven frame. Then put the Furnace (B) on the assembled Side Board (D&E) and fix them by Bolt (AA), Flat Washer (CC) and Wrench (HH) as shown below.

(Note: be careful the heavy Furnace (B) when put it on the Side Board (D&E).)



Step 7

Insert Chimney (A) into Furnace (B) and put Door (C), Shove (L) and Brush (L) nearby.

