

ASSEMBLY INTRUCTION

ITEM#: L-OF141PST



Propane tank not included

1AA battery needed, not included



WARNING: For Outdoor Use Only.



DANGER

If you smell gas:

1. Shut off gas to the appliance.
2. Extinguish any open flame.
3. If odor continues, keep away from the appliance and immediately call your gas supplier or fire department.



WARNING:

Improper installation, adjustment, alteration, service or maintenance can cause injury or property damage. Read the installation, operating and maintenance instructions thoroughly before installing or servicing this equipment.



WARNING

Do not store or use gasoline or other flammable vapors and liquids in the vicinity of this or any other appliance.

An LP-cylinder not connected for use should not be stored in the vicinity of this or any other appliance.



DANGER

CARBON MONOXIDE HAZARD

This appliance can produce carbon monoxide which has no odor.

Using it in an enclosed space can kill you.

Never use this appliance in an enclosed space such as a camper, tent, car or home.



This appliance complies with “ANSI Z21.97-2014/CSA 2.41-2014, Outdoor Decorative Gas Appliances.

TABLE OF CONTENTS

General information	2
Specification.....	3
Important safety information and precaution.....	3-4
Expanded view.....	5
Parts list.....	6
Installation.....	7
Location.....	8
Set up.....	8
Gas connection	8-9
Operation.....	9
Leak check.....	9
Ignite lighting.....	9-10
Storage and Maintenance.....	10-11
Trouble shooting	11
Limited warranty.....	11-12
Cleaning and maintenance.....	12

GENERAL INFORMATION

Important: For technical assistance on assembly or replacement parts, please call Sunjoy Industries at 1(866) 578-6569 from 8:00 AM EST to 8:00 PM PST. You may email to customer.care@sunjoygroup.com or visit www.sunjoyonline.com to place your order or fax your parts replacement order form (which is included in the packaging) together with your purchase receipt to 1 (740) 283-3549 for assistance.

SPECIFICATION

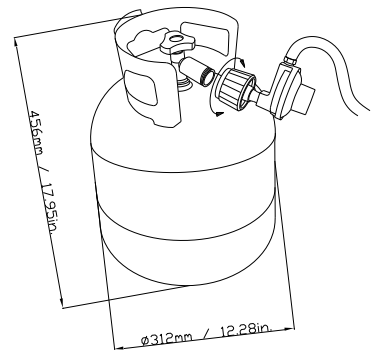
Product name	Matheson LP Fireplace
Model NO.	L-OF141PST
Rated Heat Input	64,500 BTU / HR
Fuel	Propane-LP
Gas Supply	20 lb. LP-Gas cylinder
Manifold Pressure	11 Inches W.C.
Orifice Size (diameter)	2.48 mm / 0.097 in
Gas Supply Pressure	Max.250 PSI

IMPOTANT SAFETY INFORMATION AND PRECAUTION

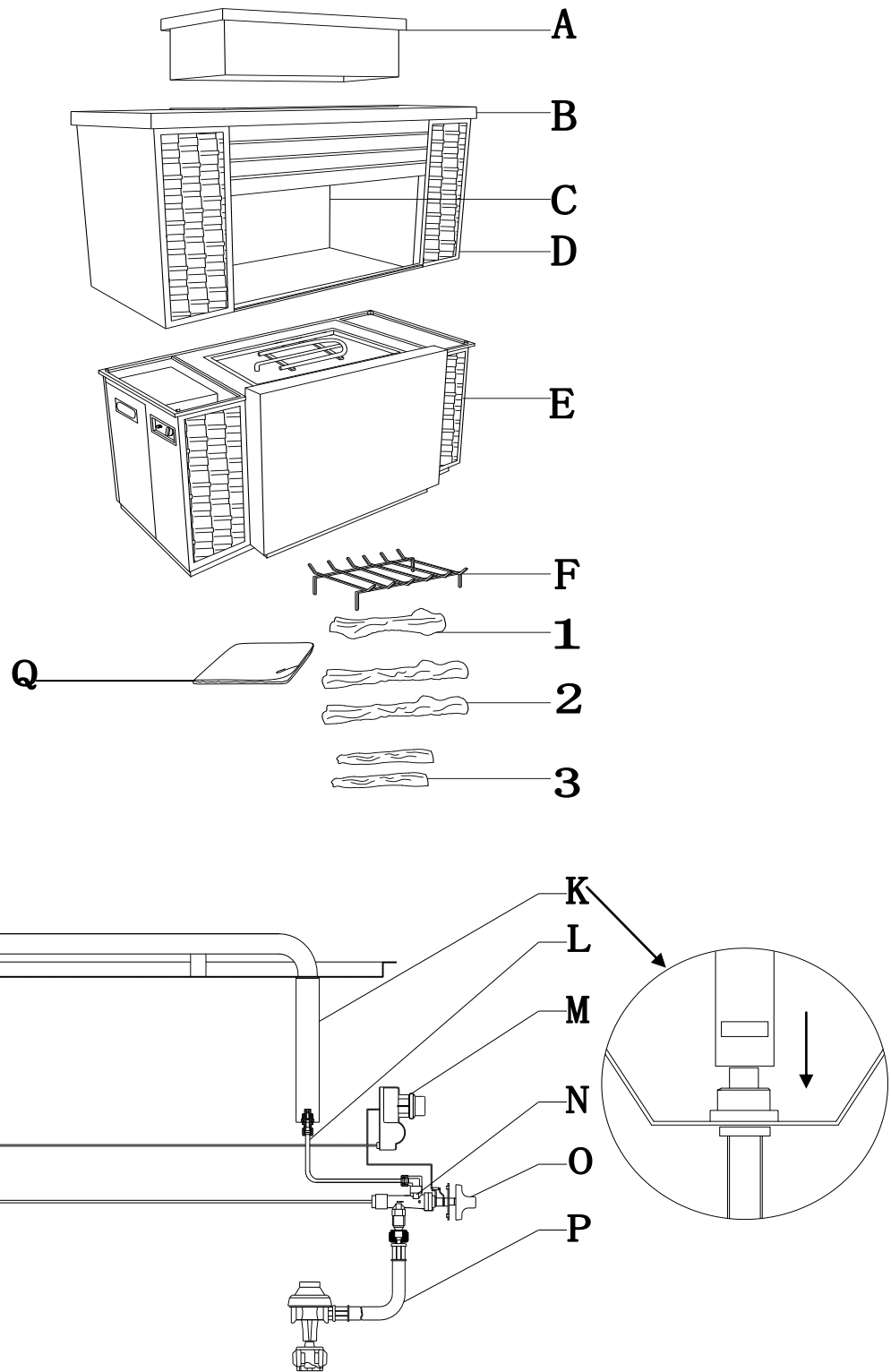
- When the appliance is for connection to a fixed piping system, the installation must conform with local codes, or in the absences of local codes with the *National Fuel Gas Code, ANSI Z223.1/NFPA54*; International Fuel Gas Code, Natural Gas and Propane Installation Code, CSA B149.1;or Propane Storage and Handling Code,B149.2,as applicable.
- The LP gas supply cylinder to be used must be:
 - 1- Constructed and marked in accordance with the U.S. Department of Transportation (D.O.T.) Specifications for LP-Gas Cylinders, or the Standard for Cylinders, Spheres and Tubes for transportation of Dangerous Goods and Commission, CAN/CSA-B339 as applicable;
 - 2- Provided with a listed overfilling prevention device;
 - 3- Provided with a cylinder connection device compatible with the connection for the appliance.
- Always place the appliance on a firm and level surface.
- Solid fuels shall not be burned in this gas appliance. Burn ONLY Tempered Glass (INCLUDED).
- The appliance shall be used only outdoors in a well-ventilated space and shall not be used in a building, garage or any other enclosed area.
- When in use, keep the appliance area clear and at least 40 in / 101.6 cm side clearance from combustible materials, gasoline and other flammable liquid and vapors. Do not use the appliance under overhead combustible surfaces. Certain items or materials, when stored under the appliance or nearby, will be subjected to radiant heat and could be damaged.

Inspect the hose assembly and burner prior to each use. If there is evidence of excessive abrasion or wear or if the hose or burner is damaged, it must be replaced by appropriate part form the manufacturer.

- Inspect the gas connections of the appliance prior to each use. Do not to operate the unit if there is a gas leak. Have the appliance inspected annually by a qualified service person.
- The pressure regulator and hose assembly provided with the appliance must be used. The replacement part must be the same as the part specified by manufacturer.
- The assembly of LP-gas and leak checking, please refer to the “Gas connection” on page 8 and “leak Test” on page 9.
- **Children and adults should be alerted to the hazards of high surface temperatures and should stay away to avoid burns or prevent clothing ignition.**
- **Young children and pets should be carefully supervised when they are in the area of the appliance.**
- **Any guard or other protective device removed for servicing the appliance must be replaced prior to operation.**
- **Clothing or other flammable materials should not be hung from the appliance.**
- Do not use the appliance if any part has been under water. Immediately call a qualified technician to inspect the appliance and to replace any part of the control system and any gas control which has been under water.
- LP-gas supply cylinder to be used must be constructed and marked in accordance with the specifications for LP-gas cylinders of the U.S. Department of Transportation (DOT).
- The cylinder supplies system must be arranged for vapor withdrawal and the cylinder must include a collar to protect the cylinder valve.
- Use only 20 lb / 9 kg LP-Gas cylinders.
- Do not burn wood or any other materials in this appliance.
- The appliance must be isolated from the gas supply piping system by closing its individual manual shutoff valve during any pressure testing of the gas supply piping system at test pressure equal to or less than 1/2psi (3.5kPa).
- Properly place the hose out of pathways where people may trip over it or in areas where there may be subject to accidental damage.
- The burner must be replaced prior to the appliance being put into operation if it is evident that the burner is damaged. The replacement burner must be the same as the part specified by manufacturer.
- The cleaning of the appliance including the burner, please refer to “Clean and Maintenance” on page 12.



EXPANDED VIEW



If you want to replace the parts listed, please contact Customer Service Center: 1(866) 578-6569

PARTS LIST			
Label	Part Number	Description	QTY
A	OF0141XXX01	Small Top	1
B	OF0141XXX02	Big Top (pre-assembled)	1
C	OF0141XXX03	Inner Tank (pre-assembled)	1
D	OF0141XXX04	Furnace	1
E	OF0141XXX05	Base	1
F	OF0141XXX06	Log Rack	1
G	LPUXLT00	Burner (pre-assembled)	1
H	OF0141XXX07	Bowl (pre-assembled)	1
I	LPDHZY2L10	Ignition Wire (pre-assembled)	1
J	LPRD07	Thermocouple (pre-assembled)	1
K	OF0141XXX12	Pipework (pre-assembled)	1
L	OF0141XXX13	Nozzle Subassembly (pre-assembled)	1
M	LPDHQ2W30D27	Ignition (pre-assembled)	1
N	LPFB14WLGZDX	Stopcock (pre-assembled)	1
O	LPKGXN01	Switch knob (pre-assembled)	1
P	LPJYF070N	Pressure Reducing Valve (pre-assembled)	1
Q	OF0141XXX08	Cover	1
1	OF0141XXX09	Firewood 1	1
2	OF0141XXX10	Firewood 2	2
3	OF0141XXX11	Firewood 3	2

If you want to replace the parts listed, please contact Customer Service Center: 1(866) 578-6569.

INSTALLATION

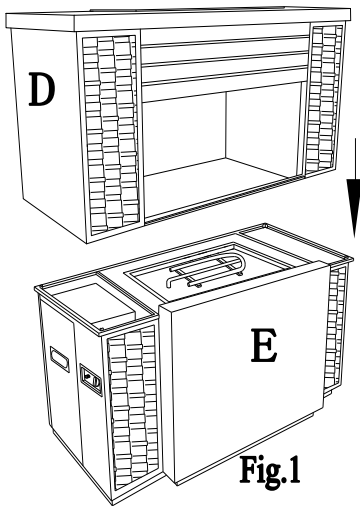


Fig.1: Put Furnace (D) on Base (E) as shown in Fig 1.

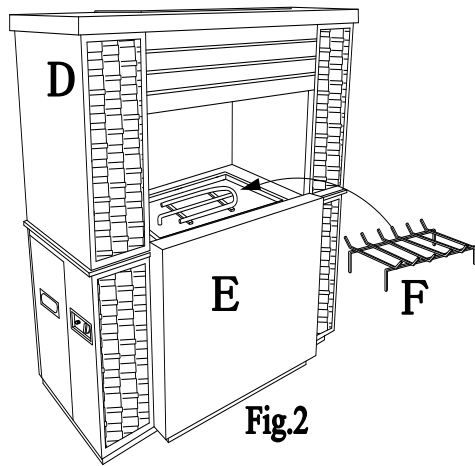


Fig.2: Put Log Rack (F) on Base (E) as shown in Fig 2.

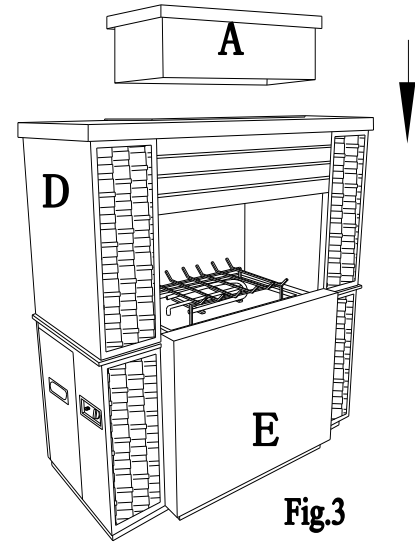


Fig.3: Put Small Top (A) on the assembled fireplace body as shown in Fig 3.



Fig.4

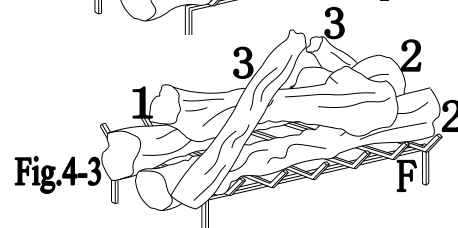
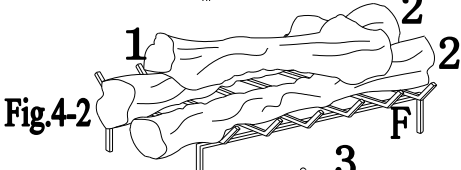
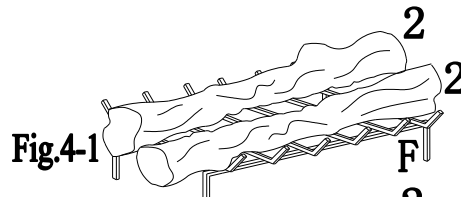


Fig.4: Set up the Firewood as below:

Put Firewood (2) on Log Rack (F) as shown in Fig 4-1.

Put Firewood 1 (1) on Firewood 2 (2) as shown in Fig 4-2.

Put Firewood 3 (3) on Firewood 1&2 (1&2) as shown in Fig 4-3.

LOCATION

Your Gas appliance must be installed on a flat, stable surface, away from any combustible materials or construction.

SET-UP

Your Gas appliance comes assembled, ready for a Gas connection.

- 1- Place the appliance on any level, outdoor, non-combustible surface.

NOTE: Do not place this appliance on grass or dirt area. This may prevent proper safety venting.

- 2- Open the gas door and put the cylinder inside.
- 3- Unscrew the battery box as shown in Fig 1. Insert the negative electrode side of the battery (not included) into the bottom of battery box as shown in Fig 2. Then screw the battery box as shown in Fig 3.

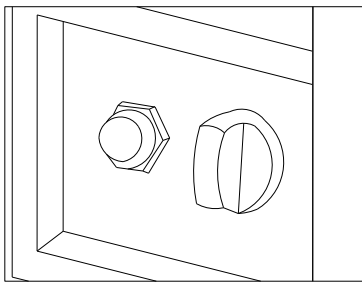


Fig 1

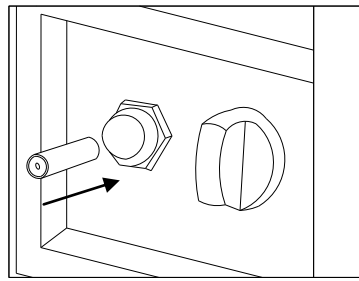


Fig 2

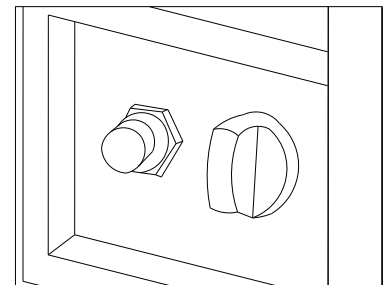


Fig 3

Note: If the battery of the pulse electronic igniter runs out of power, please replace the new battery as above.

Gas Connection

- 1- Open the door, put the chain and control valve outside. See Fig 4.
- 2- Put the cylinder into the cylinder rack. See Fig 5.
- 3- Connect the regulator and the cylinder as per Fig.6. Make sure there is no leakage or damage (please refer to “Leak Test” on page 9 and the damage checking on page 4).
- 4- Fix the cylinder by the chain. See Fig 7.

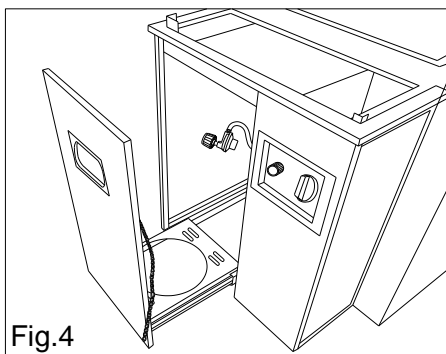


Fig.4

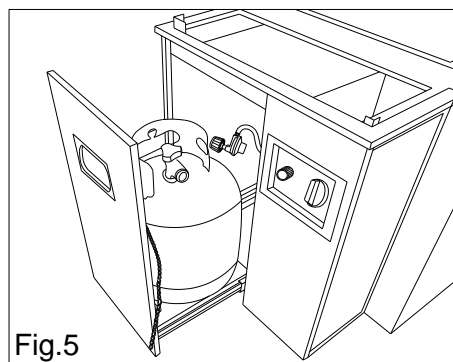
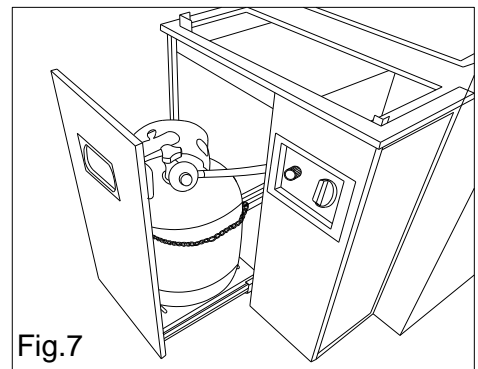
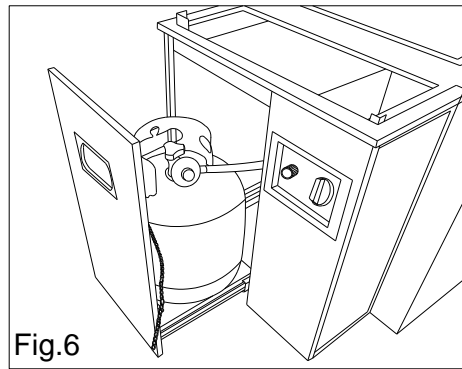
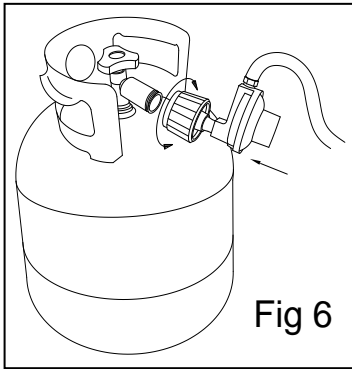


Fig.5



OPERATION

LEAK TEST

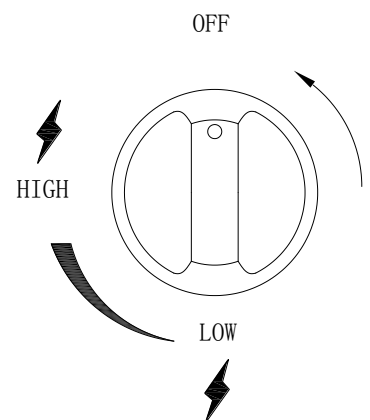
!!!WARNING!!!

- Do not use an open flame to check for leaks.
- Do not smoke during testing.
- Do not test indoors.
- A leak check must be performed whenever the gas cylinder is replaced.

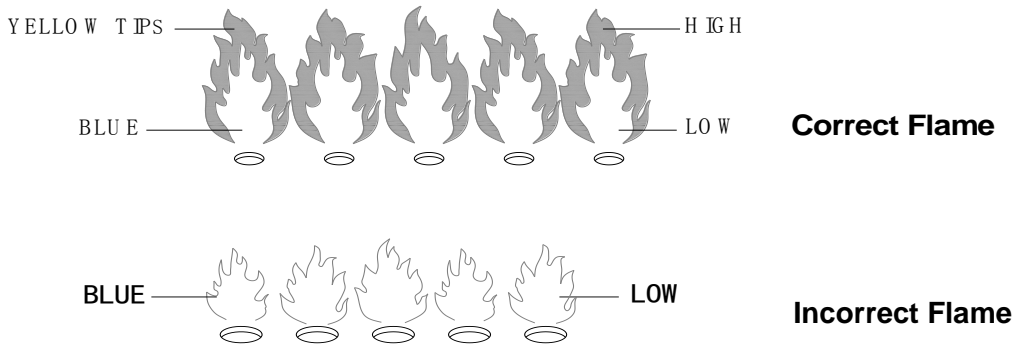
- 1- Make sure the control knob is on the “OFF” position.
- 2- Make sure the gas cylinder is correctly and securely connected to the pressure regulator, without over tightening it.
- 3- Turn on the gas cylinder valve. Apply 50% soap and 50% water solution to the gas hose and connections between the control knob and gas cylinder.
- 4- If something is leaking, you will see bubbles form. In case of leaks, turn off the gas supply, undo the leaking connection, re-connect it and try again. If the leak persists, consult Customer Service Center for assistance.
- 5- If the connection is sound, continue to the next step.

IGNITE LIGHTING

- 1- Make sure control valve is OFF.
- 2- Turn on gas tank valve.
- 3- Press in and turn control valve knob counterclockwise to High to ignite. See the figure to the right.
- 4- If burner is lit, do not stop pressing in the control valve knob for a minute to heat the thermocouple.
- 5- When control valve knob is released, the burner should be lit. If not, turn control valve knob clockwise to OFF. Wait 5 minutes after completing Step 3 before attempting to re-ignite.
- 6- Press in and turn control valve knob to desired heat input, HIGH ~ LOW.



NOTE: While in use, the burner flame should be mainly blue in appearance with a small amount of yellow. The flame can be identified by the following figure.



Warning: Lighting the appliance improperly could lead to an unsafe condition.

7- Press in and turn the control valve knob clockwise to OFF to shut down appliance. Close the gas cylinder valve when the appliance is not in use.

(**CAUTION:** Do not kink flexible gas hose. If it is kinked, a gas leak could occur.)

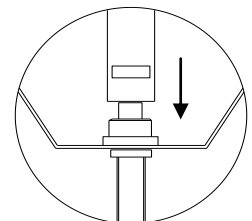
STORAGE AND MAINTENANCE

To obtain the best performance from your appliance, you must perform the following storage and maintenance activities on a regular basis:

- Allow at least 35 minutes for the appliance to cool down after use, before disconnecting and removing the gas cylinder.
- Store the gas cylinder in a dry, well-ventilated and sheltered area protected from inclement weather and dust, out of the reach of children, and not in a building, garage or any other closed area.
- The appliance may be stored indoors only if the cylinder is disconnected and removed.
- Keep the appliance area clear and free from combustible materials, gasoline and other flammable vapors and liquids.
- **Installation and repair should be done by a qualified service person. The appliance should be inspected before use and at least annually by a qualified service person. More frequent cleaning may be required as necessary it is imperative that the control compartment,**

Burner and circulating air passageways of the appliance be kept clean.

• If disassemble the burner when cleaning the appliance, please reassemble it according to the picture on the right to make sure the burner induction tunnel is



on and exactly cover the orifice base. **It is imperative that the control compartment, burner and circulating air passageways of the appliance be kept clean.** It is recommended not to disassemble the burner.

- Permanent installation and repair should be done by a qualified service person. The appliance should be inspected annually by a qualified service person.

TROUBLE SHOOTING

PROBLEM OBSERVED	POSSIBLE CAUSE	CORRECTIVE MEASURES
Gas odor	—Gas leak	—See “If you smell gas:” on front cover of manual —Check all gas connections
Delayed ignition	—Low gas pressure —Clogged or dirty burner ports —Blocked orifice —Spent battery	—Check gas supply pressure —Clean burner ports, see manual section —Check orifice opening —Change a new battery
Incorrect burner flame	—Incorrect gas supply or pressure —Blocked orifice —Clogged or dirty burner ports	—Check gas supply pressure —Check and clean orifice opening —Clean burner ports

LIMITED WARRANTY

Subject to the conditions set out below, this product is warranted to the original purchaser to be free from defects in workmanship and materials for twelve (12) months from the date of purchase.

- Satisfactory proof of the purchase date must be furnished at the time of notification of the defect for any claim under the warranty to be enforceable.
- This warranty covers all parts found defective in workmanship and/or materials during the warranty period and can be repaired or replaced at the discretion of the manufacturer at no cost to the original purchaser.
- This warranty will be void if the product has not been assembled, installed or operated according to the instructions, or subjected to abuse, improperly treated, neglected, rusted by exposure to the elements, misused and/or if any repairs, maintenance, or service has been done by an unauthorized person.
- Returns must be properly packaged and freight prepaid to the dealer from whom the product was acquired.
- The manufacturer, distributor and retailer will not be liable for any incidental or consequential loss or damage arising from the installation or operation of the product and/or the failure of any part for any reason.
- There are no other express or implied warranties, except for those stipulated herein. This warranty gives specific rights and the original purchaser may have additional rights and remedies in law.
- This warranty does not cover commercial use.

CLEANING AND MAINTENANCE

- To enjoy outstanding performance of your appliance for years make sure to perform the following maintenance activities on a regular basis.
- Keep exterior surfaces clean.
- Use warm soapy water for cleaning. Never use flammable, corrosive or abrasive cleaners.
- Clean the holes in the burner using a swab that is moistened with soapy water. Keep the holes unobstructed by using a heavy-duty pipe cleaner. The burner must be dry before normal use. Cleaning period should be 1 year.
- While washing your unit, be sure to keep the area around the burner and pilot assembly dry at all times. If the gas control is exposed to water in any way, DO NOT try to use it. It must be replaced.
- After a long break from operation, the unit should be inspected for spiders, spider webs or other insects.
- Air flow must be unobstructed, Keep controls, Burner and circulating air passageways clean.

Signs of possible blockage include:

- Gas odor with extreme yellow tipping of flame.
- Table does NOT reach the desired temperature.
- Table flow is excessively uneven.
- Table makes popping noises.
- Spider and insects can nest in burner or orifices.
- Compressed air may help clear away smaller particles.