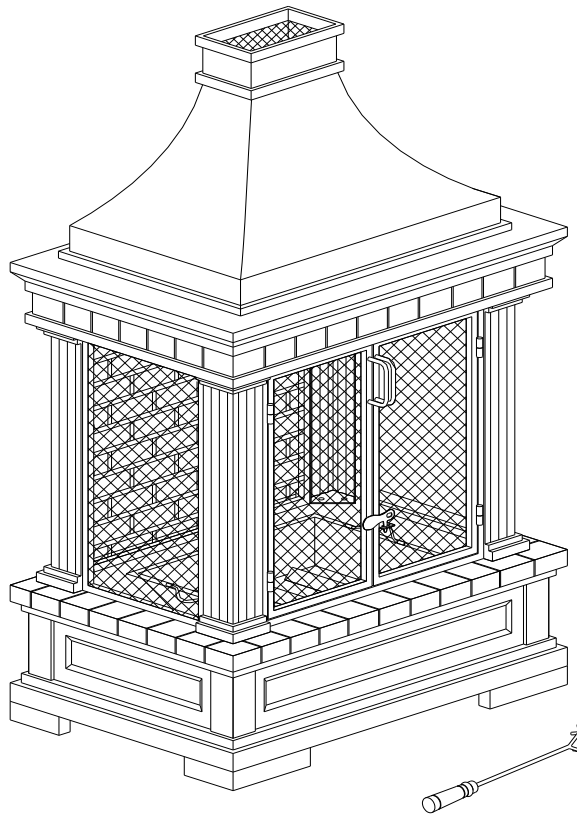


ASSEMBLY INTRUCTION

ITEM#: L-OF082PST-3



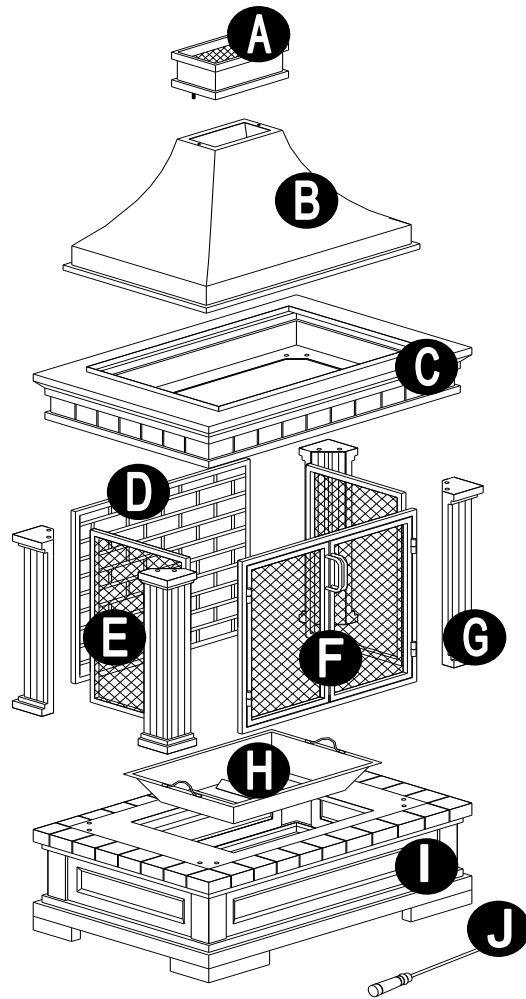
Cautions:

- Keep all children and pets away from assembly area. Children and pets should be supervised while product is being assembled.
- This unit is heavy, two people are recommended for safe assembly.
- Some parts may contain sharp edges. Wear protective gloves if necessary during assembly.
- When assembling and using this product, basic safety precautions should always be followed to reduce the risk of personal injury and damage to equipment. Please read all instructions before assembly and use.
- This fireplace is intended for outdoor use only. Do not use on wooden decks.
- This outdoor fireplace is intended to burn **wood logs only**. Do not burn coal, leaves, or other combustible materials in the fireplace.
- The fireplace is hot. Use with caution. Do not touch the hot fireplace with bare hands.
- Never leave the burning fireplace unattended, and always extinguish the fire completely before leaving the fire bowl. Do not use near flammable or combustible objects or materials.
- When the fireplace is in use, the handle on the mesh screen can reach extreme temperatures that can cause serious injury to an unprotected hand. Use a poker or an appropriate heat resistant glove or pad when handling.
- Do not use the fireplace as cooking appliance. The fireplace is not designed for grilling food.
- Check local fire regulations and municipal by-laws for safe use.

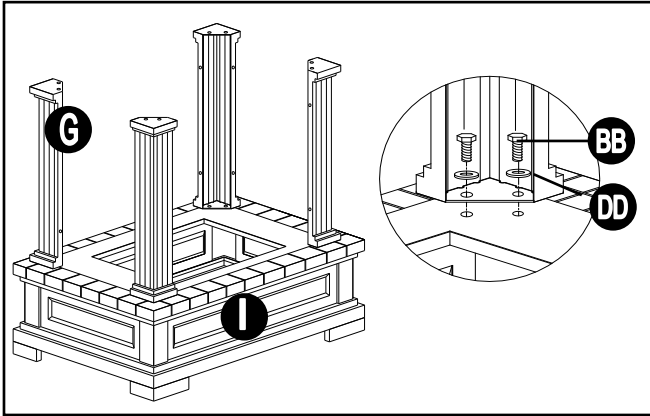
Important: For technical assistance on assembly or replacement parts, please call Sunjoy Industries at 1(866) 578-6569 from 8:00 AM EST to 8:00 PM PST. You may email to customer.care@sunjoygroup.com or visit www.sunjoyonline.com to place your order or fax your parts replacement order form (which is included in the packaging) together with your purchase receipt to 1 (740) 283-3549 for assistance.

PARTS LIST		
PART#	DESCRIPTION	QTY
A	Chimney top OF0082XX301	1
B	Chimney OF0082XX302	1
C	Upper base OF0082XX303	1
D	Rear base OF0082XX304	1
E	Side mesh OF0082XX305	2
F	Door OF0082XX306	1
G	Post OF0082XX307	4
H	Fire bowl OFFP080T02	1
I	Base OF0082XX308	1
J	Poker FTJB600G	1

HARDWARE PACK		
PART#	DESCRIPTION	QTY
AA	Bolt M6x30 BM06030C	8
BB	Bolt M6x12 BM06012C	24
CC	Nut M6 LM06C	10
DD	Washer M6 UD06C	42
EE	M6 Wrench W10D	2

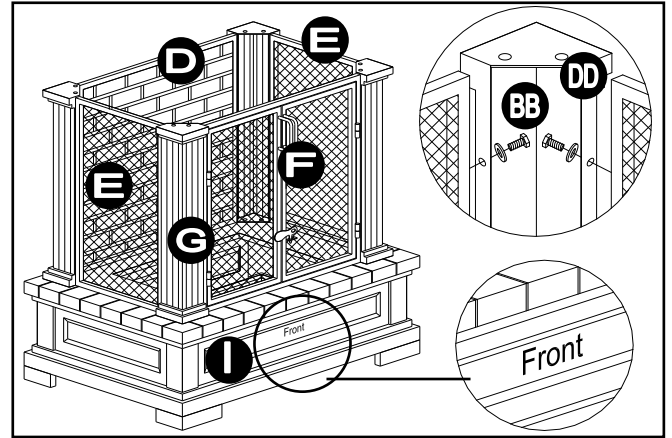


ASSEMBLY STEPS



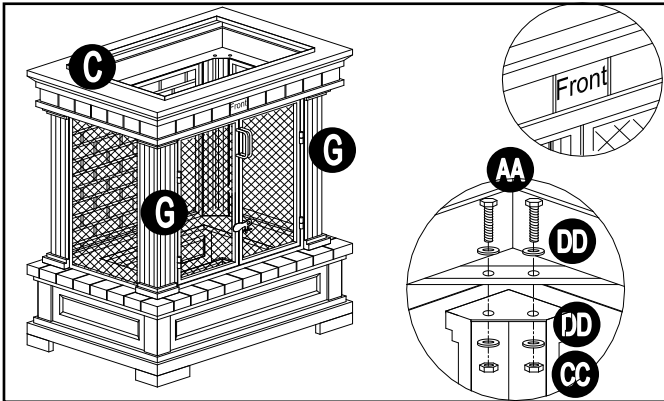
Step 1:

Attach Post (G) to Base (I) by using bolts (BB) and Washer (DD). Do not fully tighten the connections in this step.



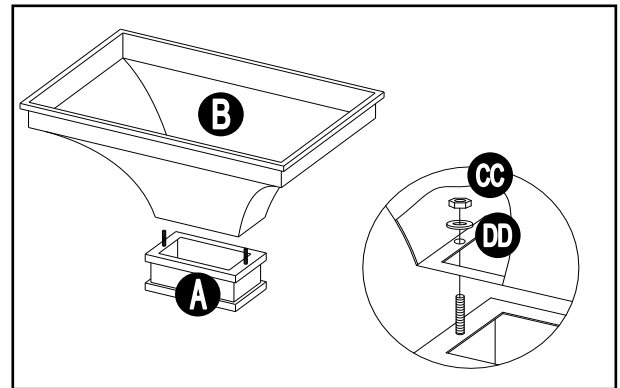
Step 2:

Attach Rear Board (D), Side Mesh (E) and Door (F) to Post (G) by using Bolt (BB) and Washer (DD) Assemble Rear Board (D) to the labeled back side of Base (I). Do not fully tighten the connections in this step.



Step 3:

Place Upper Base (C) onto Post (G) and attach them by using bolts (AA), Nuts (CC) and Washer (DD). (Note: front and back side of Upper Base (C) is labeled). Fully tighten all connections.

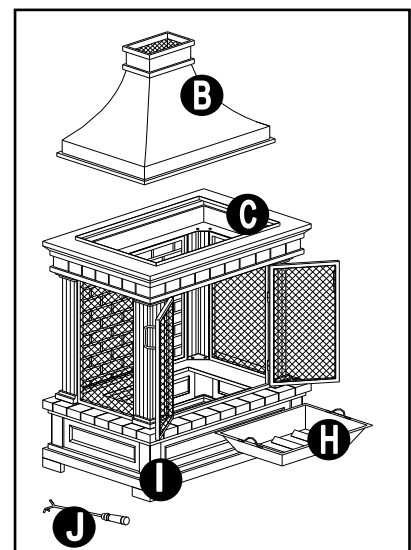


Step 4:

Connect Chimney Top (A) and Chimney (B) by using Nut (CC) and Washer (DD).

Step 5:

Place Fire Bowl (H) into Base (I) and place Chimney (B) onto Upper Base (C). Finally, keep the Poker (J) near your fire place for use.



Care & Maintenance

Before using, clean the product completely with a soft dry towel. When not in use, wipe free of any dirt or loose objects, wash with a mild solution of soap and water; rinse thoroughly and dry completely.

Do not use strong detergent or abrasive cleaners. When not in use, we recommend the use of patio furniture covers for protection. Steel components of garden accessories and furniture are treated with rust inhibiting paint. However, due to the nature of steel, surface oxidation (rusting) will occur if this protective coating is scratched.

To minimize this condition, it is recommended that care be taken when assembling and handling the product, in order to prevent the paint from being scratched.

Limited Manufacturer's Warranty

Sunjoy Industries warrants to the original purchaser that this item is free from defects in workmanship and materials for a period of twelve (12) months from the date of purchase, provided the item was factory-sealed at the time of purchase and is maintained with care and used only for personal, residential purposes. Should any manufacturing defect arise within this warranty period, Sunjoy Industries will repair or replace (at our option) any defective merchandise upon proof of purchase; however, transportation and delivery costs, as well as payments to a third party for assembly or disassembly of the item, remain the responsibility of the purchaser. A purchaser of an "open box," previously-returned, or "clearance" item, as well as original purchasers outside of the warranty period, may obtain replacement parts from Sunjoy Industries for products in current production, at a nominal cost.

Exclusions:

Items used for commercial, contract, or other non-residential purposes, or items damaged due to acts of nature, vandalism, misuse, or improper assembly are not covered. Corrosion or rusting of hardware is not covered. Proof of purchase (dated register receipt) is required for warranty claims. Warranty is to the original purchaser and is non-transferable. Any replacement of warranted items will be in the original style and color, or a similar style and color if the original is unavailable or has been discontinued. As some states do not allow exclusions or limitations on an implied warranty, the above exclusions and limitations may not apply. This warranty gives you specific rights, and you may also have other rights, which vary from state to state.

WARNING: Fuels used in wood or charcoal burning appliances, and the products of combustion of such fuels, contain chemicals known to cause cancer, birth defects or other reproductive harm.