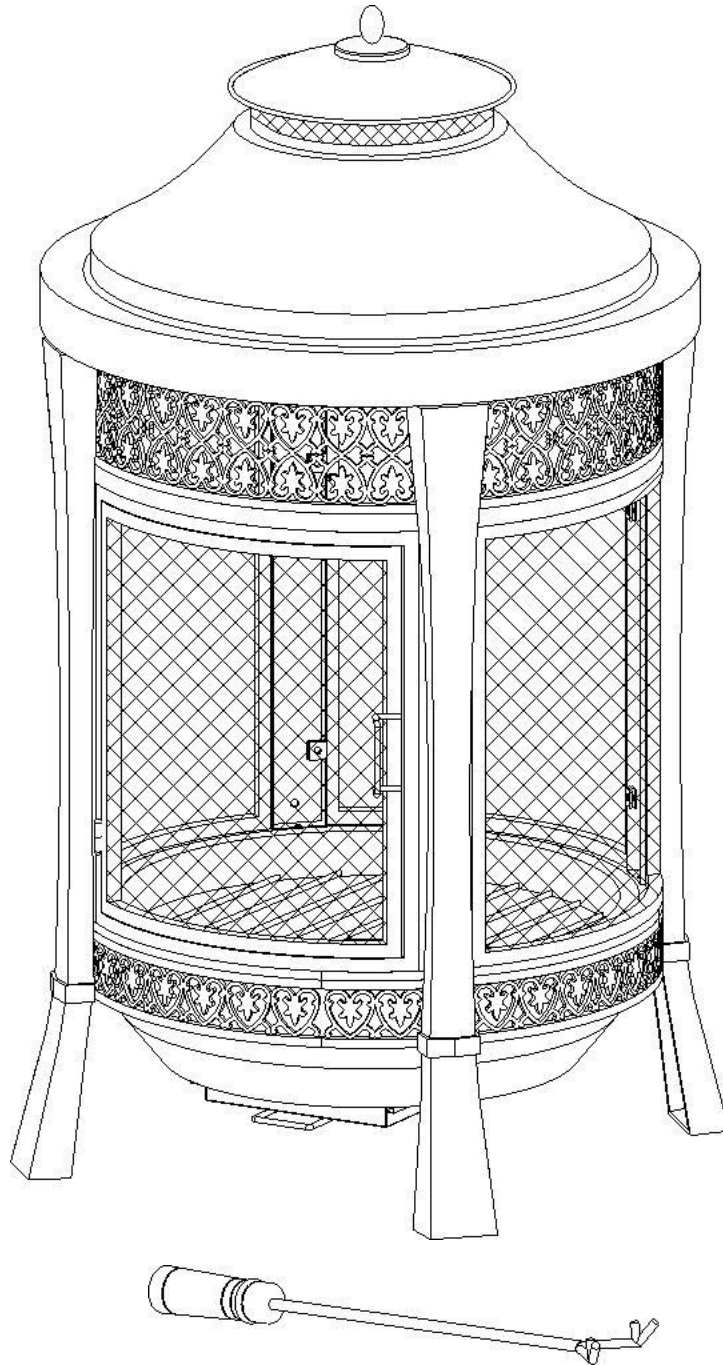
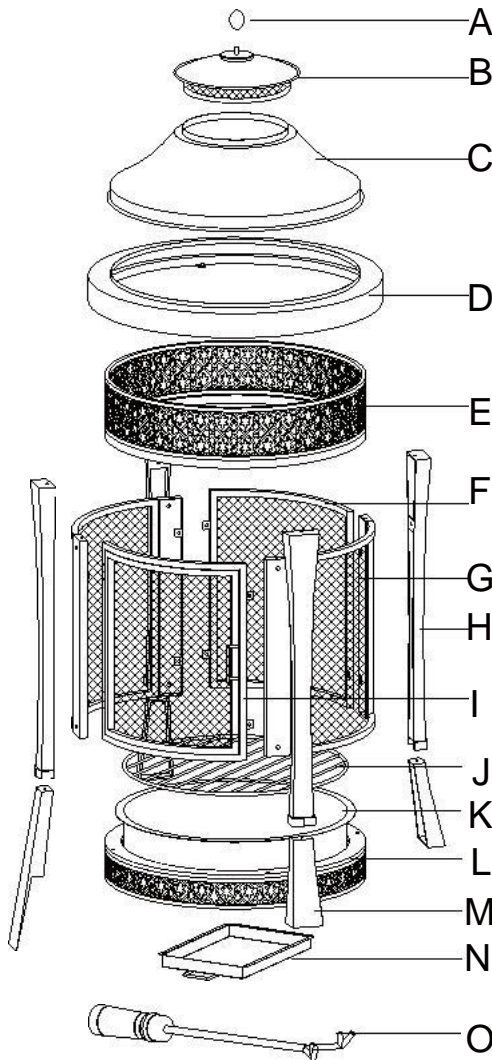





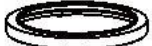



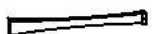




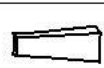
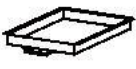






# Assembly Instructions

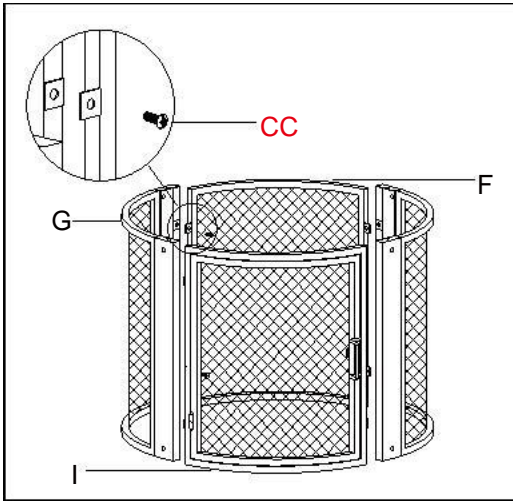
Item# D-CM003PST / L-CM062PST-1-BR



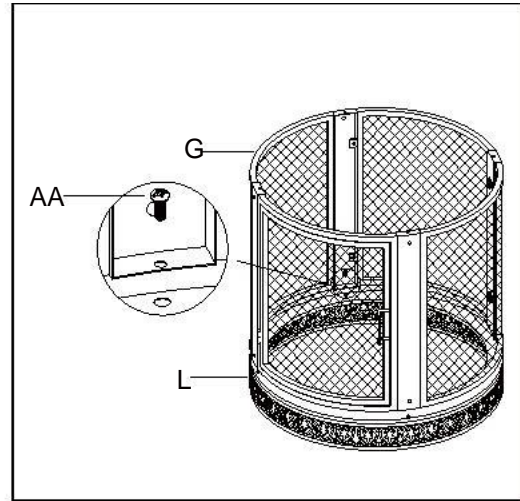
# Part List



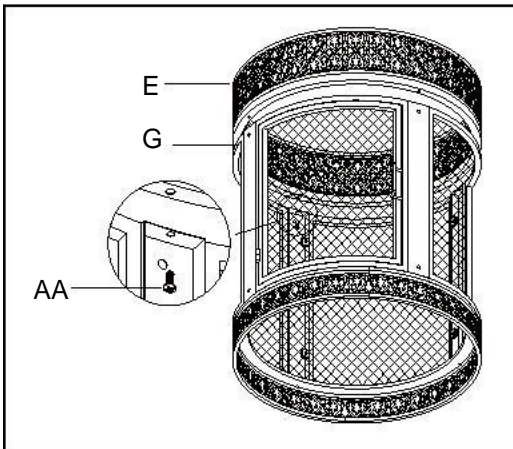
NO	DESCRIPTION	QTY	PICTURE
A	Finial	1	
B	Top cover	1	
C	Large cover	1	
D	Support ring	1	
E	Top panel	1	
F	Back screen	1	
G	Right / left screen	2	
H	Leg - top portion	4	
I	Door	1	
J	Grill	1	
K	Firepan	1	
L	Base panel	1	
M	Leg - bottom portion	4	
N	Ash pan	1	
O	Poker	1	
AA	M6 x 15 MM cross head bolt	20	
BB	M6 x 15 MM hex bolt	4	
CC	M6 x 10 MM cross head bolt	8	
DD	M6 Nut	4	
EE	M6 wrench	1	



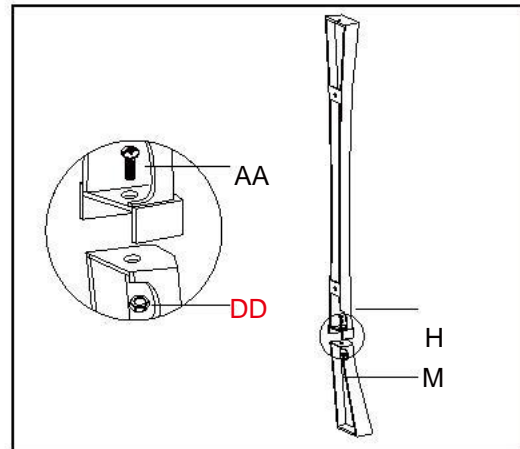
**Step 1**  
 Connect door (I) and back screen (F) with Right / left screens (G) by using 8pcs M6 x 10 MM cross head bolt (CC).



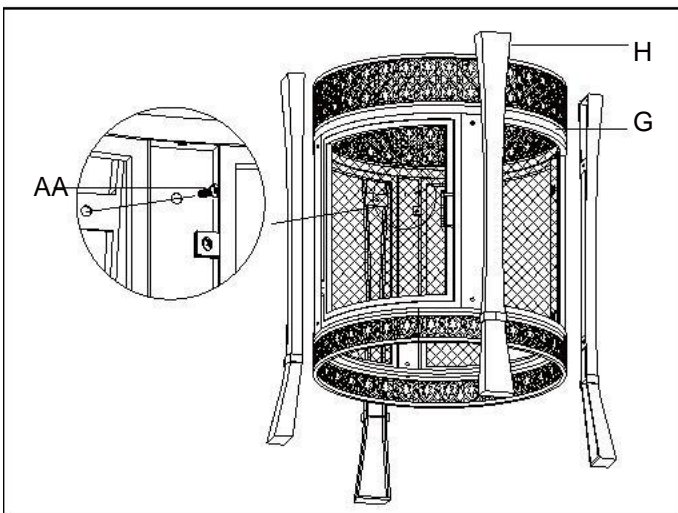
**Step 2**  
 Connect Base panel (L) with Right / left screens (G) by using 4pcs M6 x 15 MM cross head bolt (AA).



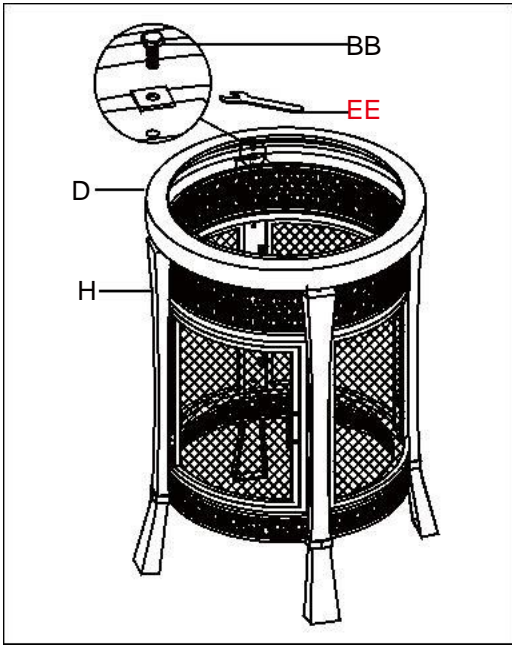
**Step 3**  
 Connect Top panel (E) with Right / left screens (G) by using 4pcs M6 x 15 MM cross head bolt (AA) .



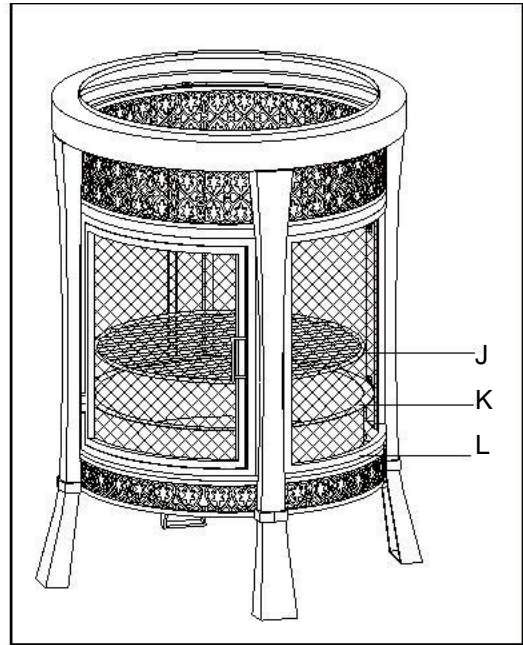
**Step 4**  
 Attach Leg top portions (H) to bottom portions (M) by using 4pcs M6 x 15 MM cross head bolt (AA) and 4pcs M6 nut (DD).



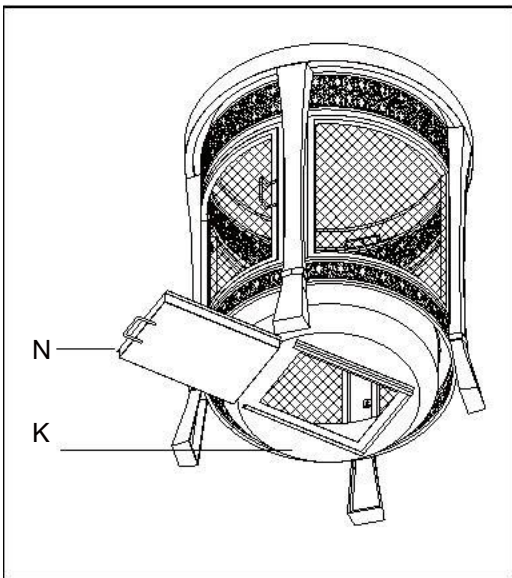
**Step 5**  
 Attach pervious assembled legs to right / left screens (G) by using 8pcs M6 x 15 MM cross head bolt (AA) (not fasten bolts at this step).



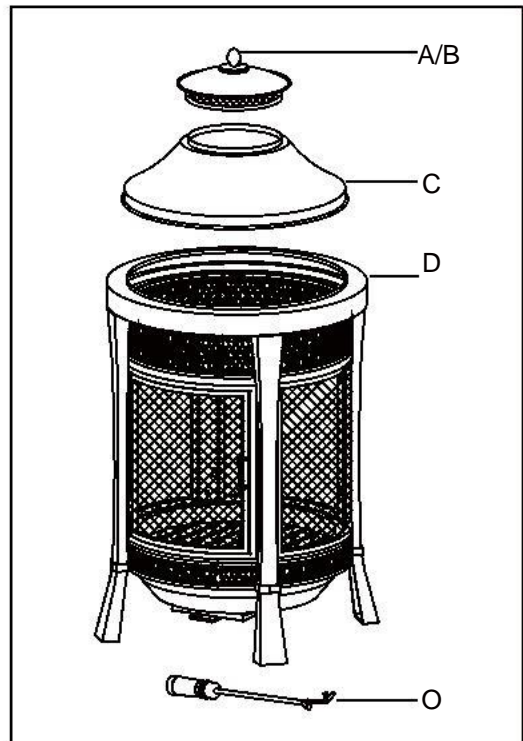
**Step 6**  
Connect top support ring (D) with previous assembled fireplace by using 4pcs M6 x 15 MM hex bolt (BB) with Wrench (EE).



**Step 7**  
Put Firepan (K) onto the Bottom panel (L), then put Grill (J) into Firepan (K).



**Step 8**  
Inset Ash pan (N) into Firepan (K).



**Step 9**  
Attach Finial (A) to Top cover (B), place Large cover (C) on Support ring (D), and then put the assembled top cover onto Large cover (C).

**CAUTION:**

1. Read and follow all Safety Statements, Warnings, Assembly Instructions, and Use & Care directions before attempting to assemble.
2. Some parts may contain sharp edges. Wear protective gloves if required.
3. Metal is susceptible to rust. Before using, clean the metal surface completely with a soft dry towel. If rust develops, clean the area by sanding lightly, and then wipe thoroughly and apply touch-up paint.
4. Check Local Fire Regulations before using this fireplace.
5. THE OUTER SURFACE OF THE FIREPLACE CAN REACH EXTREMELY HIGH TEMPERATURES WHEN IT IS IN USE, WHICH WILL CAUSE SERIOUS INJURY TO AN UNPROTECTED HAND. USE A POKER OR AN APPROPRIATE HEAT RESISTANT GLOVE OR PAD WHEN HANDLING.

**WARNING:**

1. This fireplace is intended for outdoor use only. Do not use it on a wooden deck or on a lawn. Keep outdoor furniture, clothing, plants, and other combustible items at least 23.6 inches (0.6 m) away from the fireplace. Do not cover the Chimney lid when the fireplace is in use.
2. This fireplace is designed to burn wooden logs only. Do not overload it with logs. Do not burn coal, leaves, or other combustible materials in the fireplace.
3. Keep children and pets away from the fireplace.
4. The fireplace is hot. Use it with caution. Do not touch the hot fireplace with bare hands. The screen handle and drawer handle can reach extremely high temperatures that will cause injury to an unprotected hand.
5. Never leave a burning fireplace unattended, and always extinguish the fire completely before leaving it. Keep a fire extinguisher nearby.
6. The grate is not intended for cooking, and should not be used for this purpose.
7. In order to avoid discolouration of the fireplace, always handle the surface with a soft cloth, because oil from hands may cause the colour to change.

**WARRANTY****(1- year warranty)**

Thank you for purchasing this SUNJOY product. These products have been made to demanding, high-quality standards and are guaranteed for domestic use against manufacturing faults. This warranty does not affect your statutory rights.

For technical assistance on assembly or replacement parts. In the continental U.S., you can call us toll-free at 1-866-578-6569 from 8 a.m. to 5 p.m. CST Monday – Friday. In the continental Canada, you can call us toll-free at 1-844-SUNJOY1 (1-844-786-5691) from 8 a.m. to 5 p.m. CST Monday – Friday. You can fax the replacement part form which is in the box to (740)-283-3549. You can also send us an email to [customer.care@sunjoydirect.com](mailto:customer.care@sunjoydirect.com). The manufacturer reserves the right to repair or replace the defective product, at its discretion.

The product is guaranteed if used for normal trade purposes. Any warranty is invalid if the product has been overloaded or subject to neglect, improper use or an attempted repair other than by an authorized agent. Heavy-duty or daily professional/commercial usage are not guaranteed. Due to continuous product improvement, we reserve the right to change the product specifications without prior notice.