

# Assembly Instruction

## Item # D-CM001PST

Congratulations on your purchase of our SUNJOY™ Fireplace. Our clear, easy to follow, step-by-step instructions will guide you through the assembly process from start to finish.

### Warnings, Operations & Maintenances:

- This fireplace is intended for outdoor use only. Do not use it on wooden decks.
- This fireplace is intended to burn wood logs only. Do not burn coal, leaves or other combustible materials in it.
- Not for use by children. Always keep children & pets away from fireplace.
- Use this fireplace with caution. When the fireplace is in use, the handle on the mesh screen can reach extremely high temperatures that will cause injury to an unprotected hand. Please use the poker or an appropriate heat resistant glove or pad when handling.
- Never leave burning fireplace unattended and always extinguish fire completely before leaving the fireplace.
- Do not use flammable or combustible objects or materials near this burning fireplace. Clean and dry the fireplace completely after use.

### WARRANTY

#### (1- year warranty)

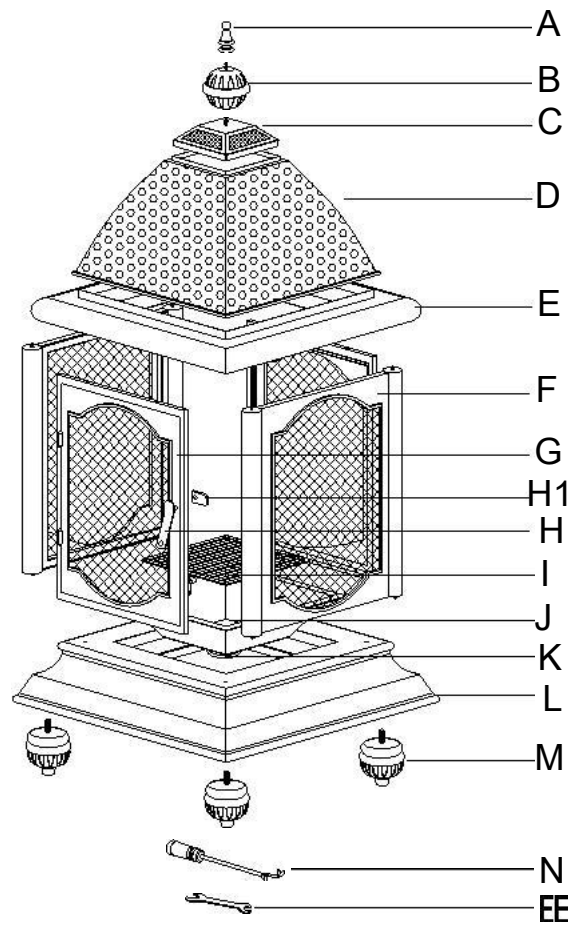
Thank you for purchasing this SUNJOY product. These products have been made to demanding, high-quality standards and are guaranteed for domestic use against manufacturing faults. This warranty does not affect your statutory rights.

For technical assistance on assembly or replacement parts. In the continental U.S., you can call us toll-free at 1-866-578-6569 from 8 a.m. to 5 p.m. CST Monday – Friday. In the continental Canada, you can call us toll-free at 1-844-SUNJOY1 (1-844-786-5691) from 8 a.m. to 5 p.m. CST Monday – Friday. You can fax the replacement part form which is in the box to (740)-283-3549. You can also send us an email to [customer.care@sunjoydirect.com](mailto:customer.care@sunjoydirect.com). The manufacturer reserves the right to repair or replace the defective product, at its discretion.

The product is guaranteed if used for normal trade purposes. Any warranty is invalid if the product has been overloaded or subject to neglect, improper use or an attempted repair other than by an authorized agent. Heavy-duty or daily professional/commercial usage are not guaranteed. Due to continuous product improvement, we reserve the right to change the product specifications without prior notice.

## Parts List

No.	Description	Qty
A	Finial	1
B	Decorative Ball	1
C	Roof Cap	1
D	Dome	1
E	Upper Stove	1
F	Iron Screen	2
G	Door	2
H	Handle A	2
H-1	Handle B	2
I	Iron Grate	1
J	Fire Bowl	1
K	Ash Tray	1
L	Base	1
M	Foot	4
N	Poker	1
AA	M6 Nut	8
BB	M6x15 Bolt	8
CC	M5x10 Bolt	5
DD	M5 Nut	3
EE	M5/M6 Wrench	1

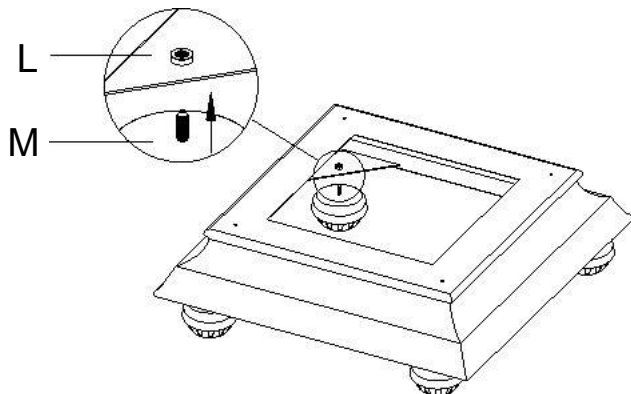


## Assembly Instruction

**Tool Needed: A Philips screwdriver**

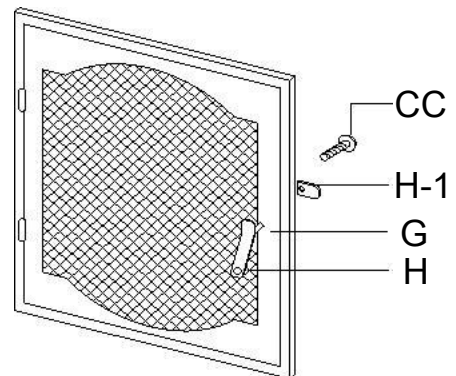
### Step 1:

Attach 4 Feet (M) onto Base (L), and tighten them.



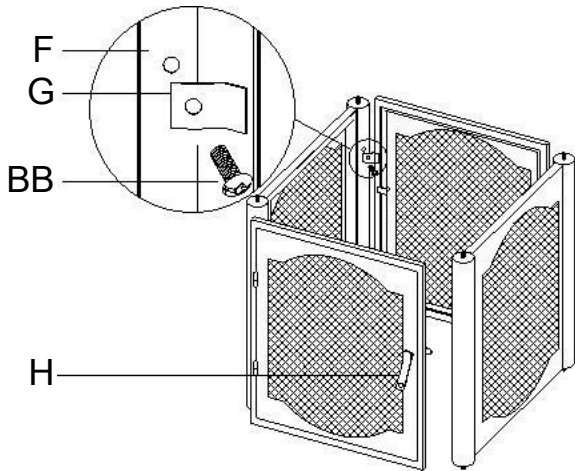
### Step 2:

Connect Door (G), Handle A (H) and Handle B (H-1) with Bolt (CC), then tighten them by the screwdriver.



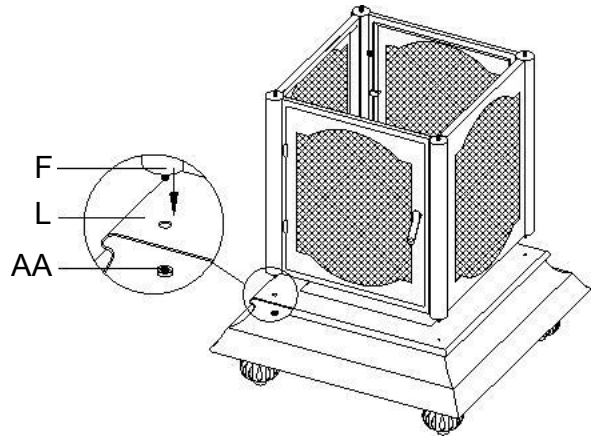
**Step 3:**

Connect Door (G) and Iron Screen (F) with Bolt (BB). (Please note that Handle A (H) should be attached at the right side.)



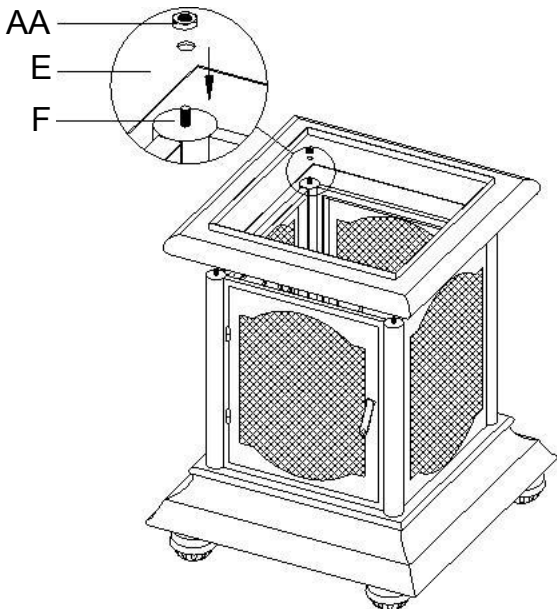
**Step 4:**

Connect Base (L) and Iron Screen (F) with Nut (AA), tighten them with Wrench (EE).



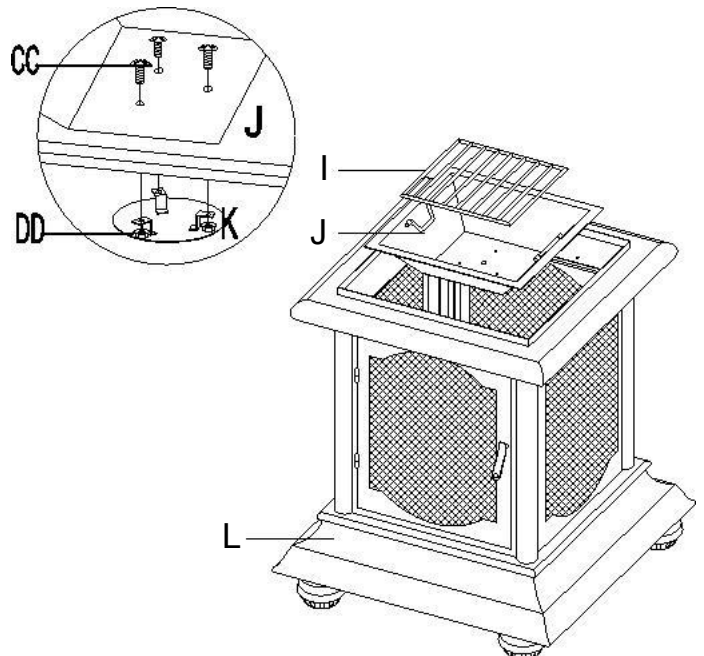
**Step 5:**

Connect Upper Stove (E) and Iron Screen (F) with Nut (AA) for all 4 sides and tighten them with Wrench (EE).



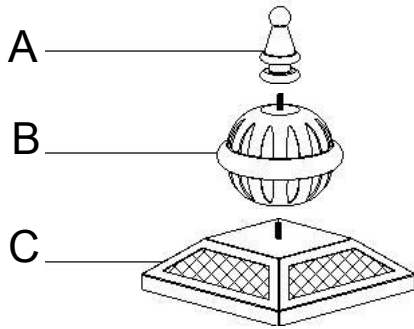
**Step 6:**

Attach Ash tray (K) to Fire bowl (J) by Bolt (CC) and Nut (DD). Fully tighten by Wrench (EE) and Screwdriver. Put Fire Bowl (J), Iron Grate (I) into Base (L) in sequence.

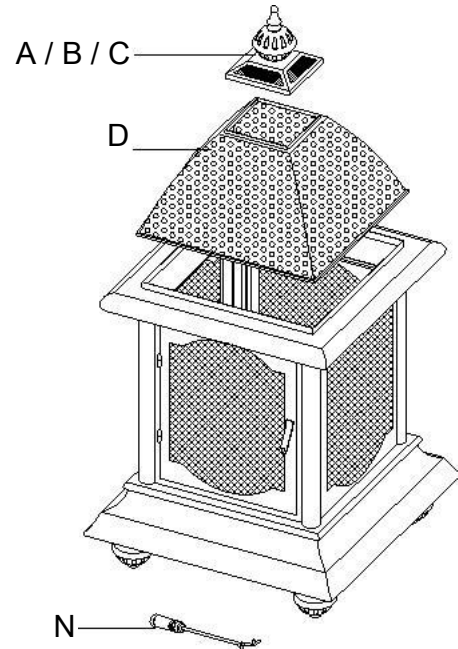


**Step 7:**

Connect Finial (A), Decorative Ball (B), and Roof Cap (C) together tightly.

**Step 8:**

Place Dome (D) and Finial (A), Decorative Ball (B), Roof Cap (C) in sequence.

**CAUTION!**

Read and follow all Safety Statements, Warnings, Assembly Instructions, and Use & Care directions before attempting to assemble.

Some parts may contain sharp edges. Wear protective gloves if required.

Metal is susceptible to rust. Before using, clean the metal surface completely with a soft dry towel. If rust develops, clean the area by sanding lightly, and then wipe thoroughly and apply touch-up paint.

Check Local Fire Regulations before using this fireplace.

THE OUTER SURFACE OF THE FIREPLACE CAN REACH EXTREMELY HIGH TEMPERATURES WHEN IT IS IN USE, WHICH WILL CAUSE SERIOUS INJURY TO AN UNPROTECTED HAND. USE A POKER OR AN APPROPRIATE HEAT RESISTANT GLOVE OR PAD WHEN HANDLING.

**WARNING:**

1. This fireplace is intended for outdoor use only. Do not use it on a wooden deck or on a lawn. Keep outdoor furniture, clothing, plants, and other combustible items at least 23.6 inches (0.6 m) away from the fireplace. Do not cover the Chimney lid when the fireplace is in use.
2. This fireplace is designed to burn wooden logs only. Do not overload it with logs. Do not burn coal, leaves, or other combustible materials in the fireplace.
3. Keep children and pets away from the fireplace.
4. The fireplace is hot. Use it with caution. Do not touch the hot fireplace with bare hands. The screen handle and drawer handle can reach extremely high temperatures that will cause injury to an unprotected hand.
5. Never leave a burning fireplace unattended, and always extinguish the fire completely before leaving it. Keep a fire extinguisher nearby.
6. The grate is not intended for cooking, and should not be used for this purpose.
7. In order to avoid discolouration of the fireplace, always handle the surface with a soft cloth, because oil from hands may cause the colour to change.