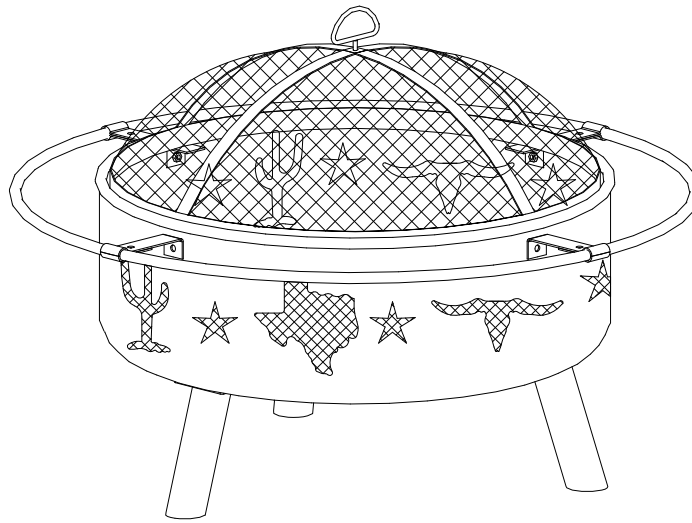


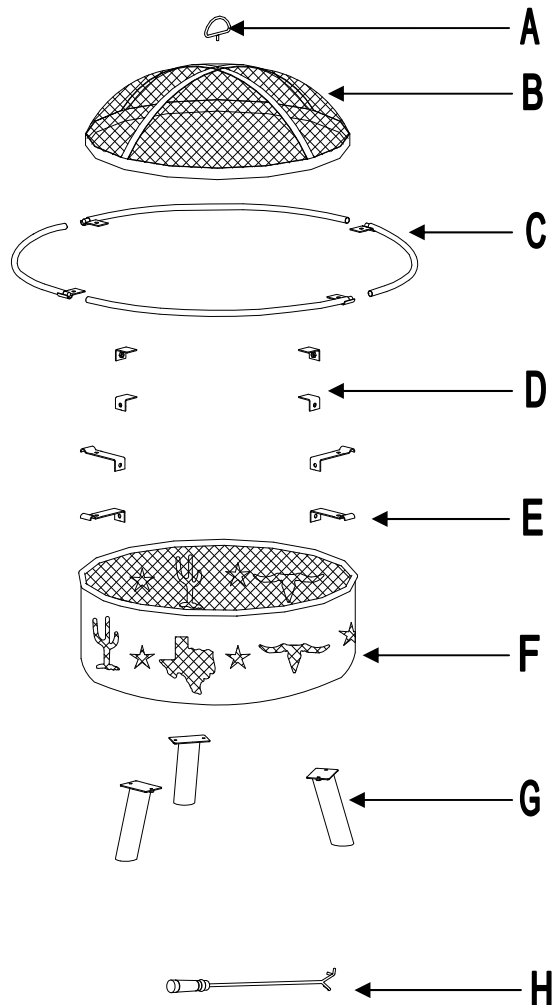
# Assembly Instructions

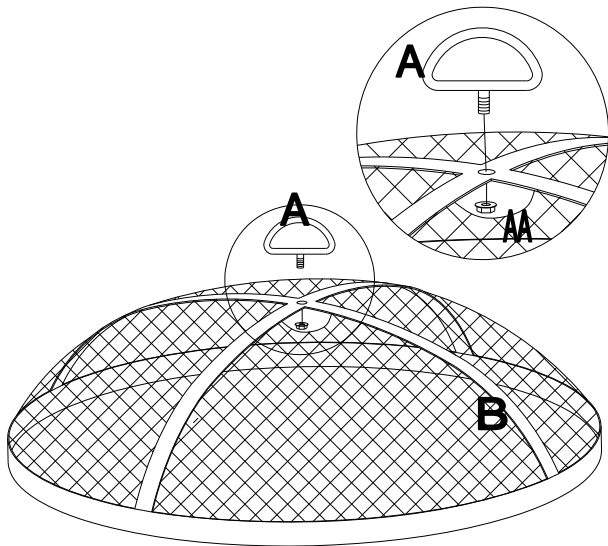
Item: D-FT1001PST-1



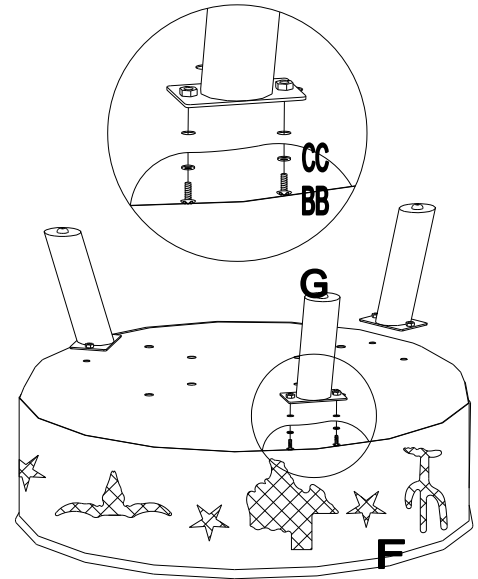
Parts List		
Part	Description	Qty
A	Handle	1
B	Screen	1
C	Ring	4
D	Bracket	4
E	Connector	4
F	Body	1
G	Leg	3
H	Poker	1

Hardware Pack		
Part	Description	Qty
AA	M6 Nut	1
BB	M6*15 Screw	14
CC	M6 Washer	14
DD	M6 Wrench	1

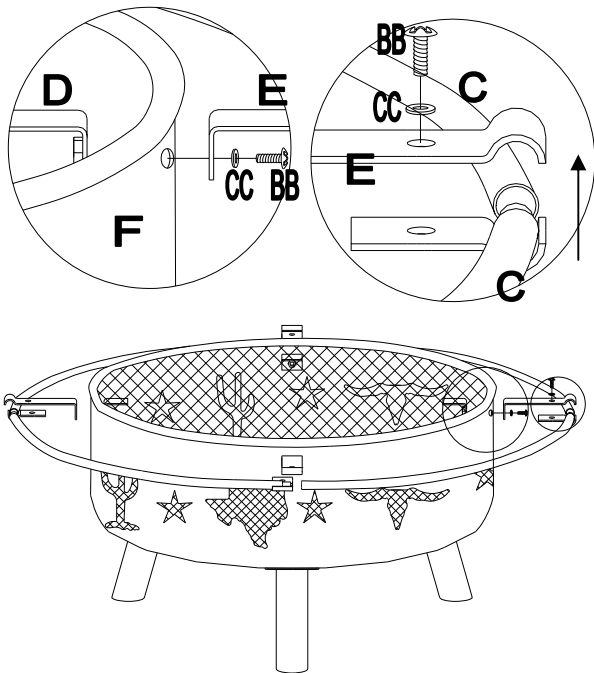




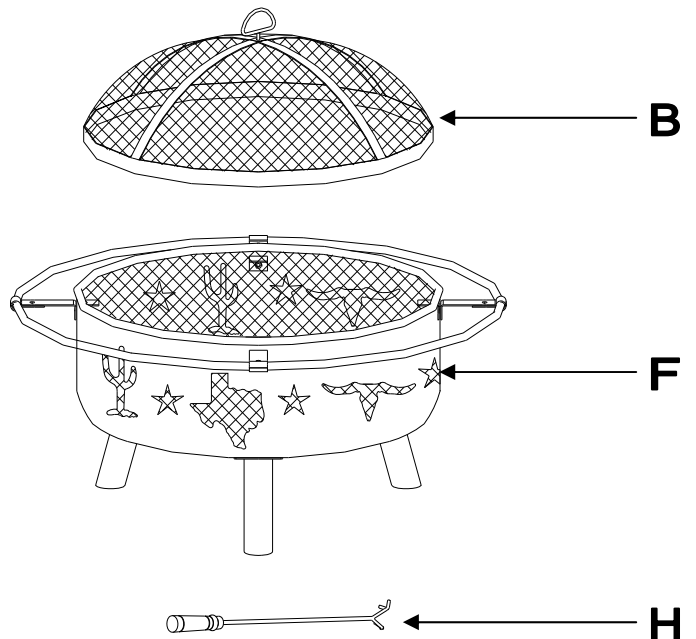
**Step 1**  
 Assemble Handle (Part A) and Screen (Part B) together with nuts AA.



**Step 2**  
 Attach Leg (Part G) and Body (Part F) together with screws BB and washers CC.



**Step 3**  
 Fig3.1 Attach Bracket (Part DC) and Connector (Part E) onto the above assembled Body and Leg with screws BB and washers CC, do not tighten them at this step.  
 Fig3.2 Insert Ring (Part C) with one another and then secure them with screws BB and washers BB. Tighten all the screws and washers.



**Step 4**  
 Place Screen (Part B) on the assembled fire pit. Get the poker for use any time.

**WARNING:**

Fuels used in wood or charcoal burning appliances, and the products of combustion of such fuels, contain chemicals known to cause cancer, birth defects or other reproductive harm.

- This outdoor fireplace is intended for outdoor use only. Do not use on wooden decks.
- This outdoor fireplace is intended to burn wood logs only. Do not burn coal, leaves, or other combustible materials in the fireplace.
- Not for use by children. Keep children and pets away from this outdoor fireplace.
- The fireplace is hot. Use with caution. Do not touch the hot fireplace with bare hands.
- Never leave the burning fireplace unattended, and always extinguish the fire completely before leaving the fire bowl.
- Do not use near flammable or combustible objects or materials.
- When the fireplace is in use, the handle on the mesh screen can reach extreme temperatures that can cause serious injury to an unprotected hand. Use a poker or an appropriate heat resistant glove or pad when handling.
- DO NOT use this fireplace as a cooking appliance. This fireplace is not designed for grilling food.
- Check local fire regulations and municipal by-laws for safe use.
- Read all safety guidelines, warnings, instructions, and operating rules carefully before assembling and using this product.
- Some parts may contain sharp edges – especially those noted in the manual. Wear protective gloves if necessary.

**Limited Warranty:**

This limited warranty is extended to the original purchaser and applies to defects in materials and workmanship of your item provided the item is maintained with care and used only for personal, residential purposes.

**Exclusions:**

For technical assistance on assembly or replacement parts, you can call us toll-free at 1-866-578-6569 from 8 a.m. EST to 8 p.m. PST or email to [customer.care@sunjoygroup.com](mailto:customer.care@sunjoygroup.com) or visit [www.sunjoyonline.com](http://www.sunjoyonline.com) to place your order or fax your parts replacement order form together with your purchase receipt to 1-740-283-3549 for assistance.