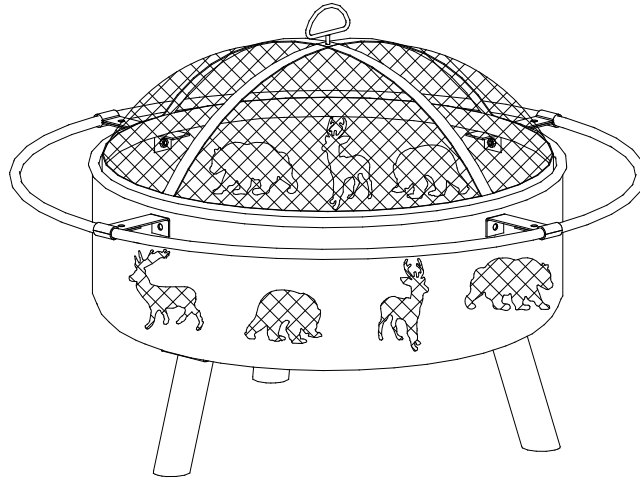


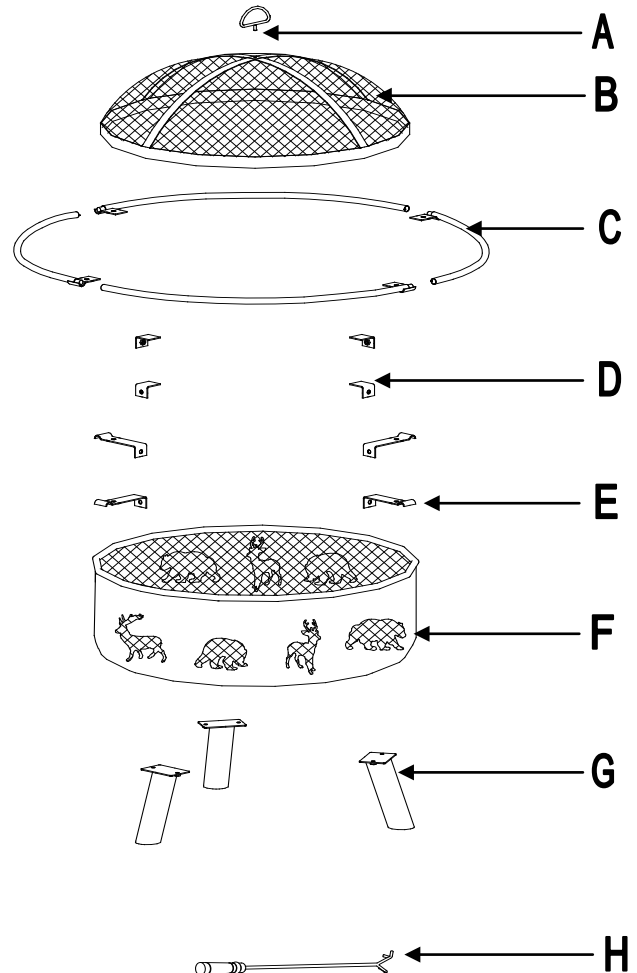
Assembly Instructions

Item: D-FT480PST-E



Parts List		
Part	Description	Qty
A	Handle	1
B	Screen	1
C	Ring	4
D	Bracket	4
E	Connector	4
F	Body	1
G	Leg	3
H	Poker	1

Hardware Pack		
Part	Description	Qty
AA	M6 Nut	1
BB	M6*15 Screw	14
CC	M6 Washer	14
DD	M6 Wrench	1



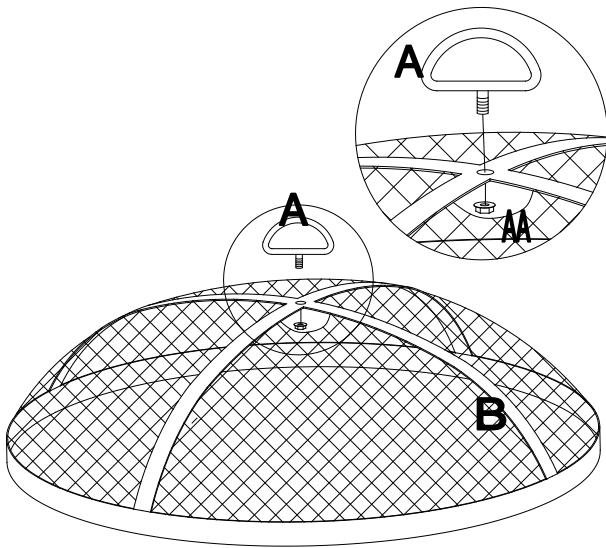


Fig.1

Step 1

Assemble Handle (Part A) and Screen (Part B) together with nuts AA.

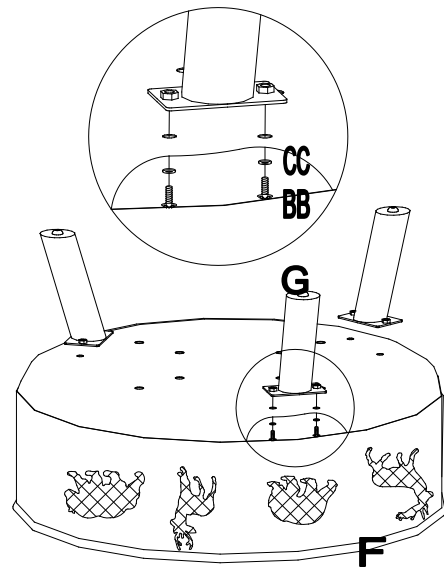


Fig.2

Step 2

Attach Leg (Part G) and Body (Part F) together with screws BB and washers CC.

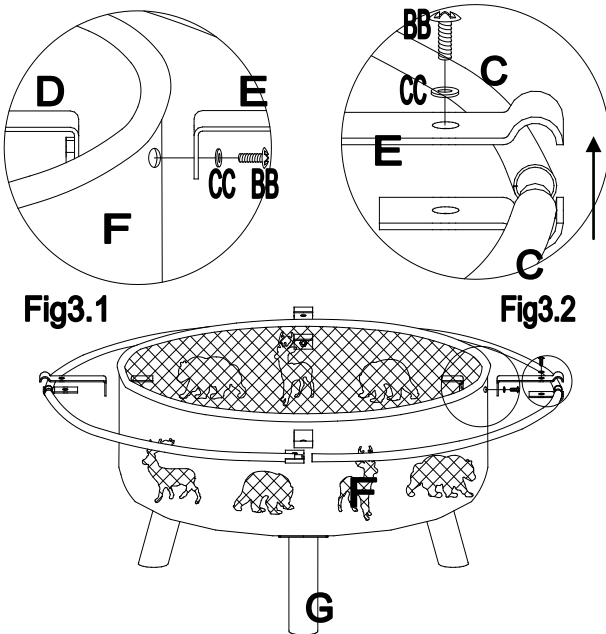


Fig3.1

Fig3.2

Fig.3

Step 3

Fig3.1 Attach Bracket (Part DC) and Connector (Part E) onto the above assembled Body and Leg with screws BB and washers CC, do not tighten them at this step.

Fig3.2 Insert Ring (Part C) with one another and then secure them with screws BB and washers BB. Tighten all the screws and washers.

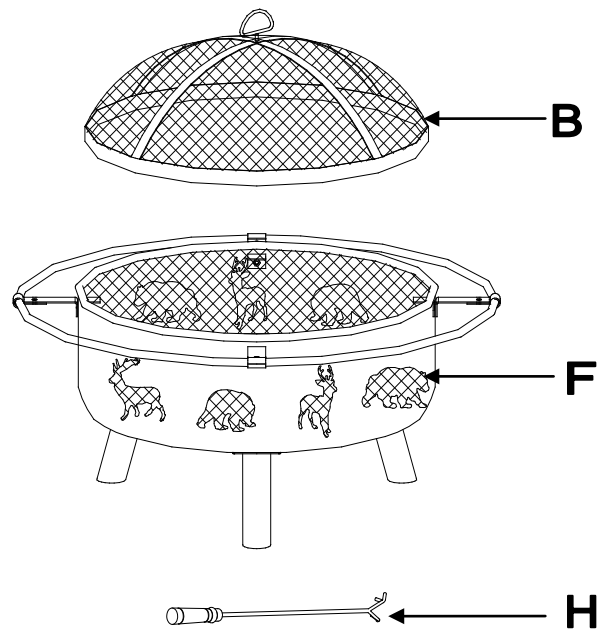


Fig.4

Step 4

Place Screen (Part B) on the assembled fire pit. Get the poker for use any time.

WARNING: Fuels used in wood or charcoal burning appliances, and the products of combustion of such fuels, contain chemicals known to cause cancer, birth defects or other reproductive harm.

2015-10（此处填写实际出货时间年月）