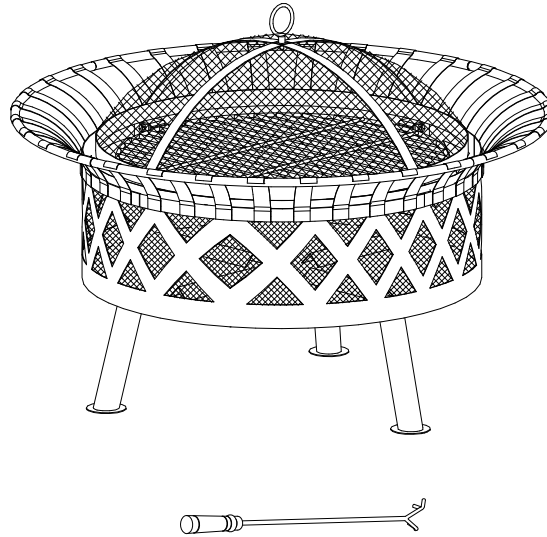


ASSEMBLY INTRUCTION

ITEM#: S-FT038PST-5-L



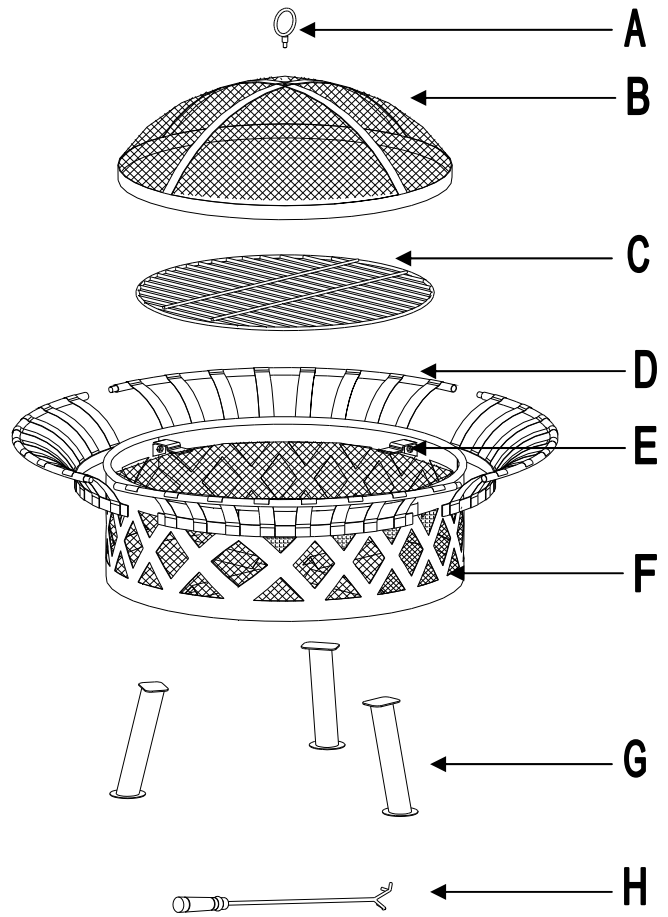
WARNINGS:

- This fire bowl is intended for outdoor use only. Do NOT use on wooden decks. DO NOT use in the vicinity of flammable objects.
- This fire bowl is intended to burn wood logs only. Do not burn leaves, or other combustible materials in the fire bowl.
- Not for use by children. Keep children and pets away from the fire bowl.
- The fire bowl is hot. Use with caution. Do not touch the hot fire bowl with bare hands.
- Never leave the burning fire bowl unattended, and always extinguish the fire completely before leaving the fire bowl.
- Do not use near flammable or combustible objects or materials.
- DO NOT use this Fire Pit as a cooking appliance. This Fire Pit is not designed to be used for grilling food. When the fire bowl is in use, the handle on the mesh screen can reach extreme temperatures that can cause serious injury to an unprotected hand. Use a poker or an appropriate heat resistant glove or pad when handling.
- Check local fire regulations and municipal by-laws for safe use.

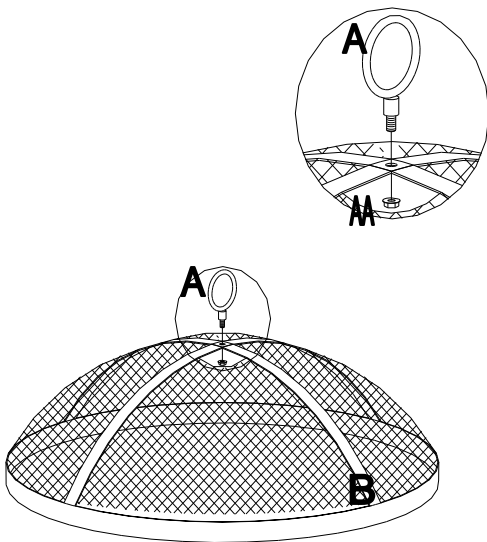
Important: For technical assistance on assembly or replacement parts, please call Sunjoy Industries at 1(866) 578-6569 from 8:00 AM EST to 8:00 PM PST. You may email to customer.care@sunjoygroup.com or visit www.sunjoyonline.com to place your order or fax your parts replacement order form (which is included in the packaging) together with your purchase receipt to 1 (740) 283-3549 for assistance.

Parts List		
Part#	Description	QTY
A	Lift Handle	1
B	Screen	1
C	Grate	1
D	Decorative Rail	4
E	Grill Supporter	4
F	Fire Bowl	1
G	Leg	3
H	Poker	1

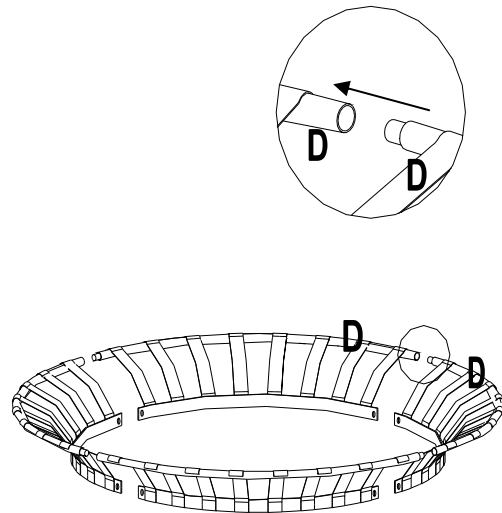
Parts List		
Part#	Description	QTY
AA	M6 Flange Nut	1
BB	M6*15 Bolt	14
CC	M6 Washer	12
DD	M6 Nut	4
EE	M6 Hexagon Wrench	1



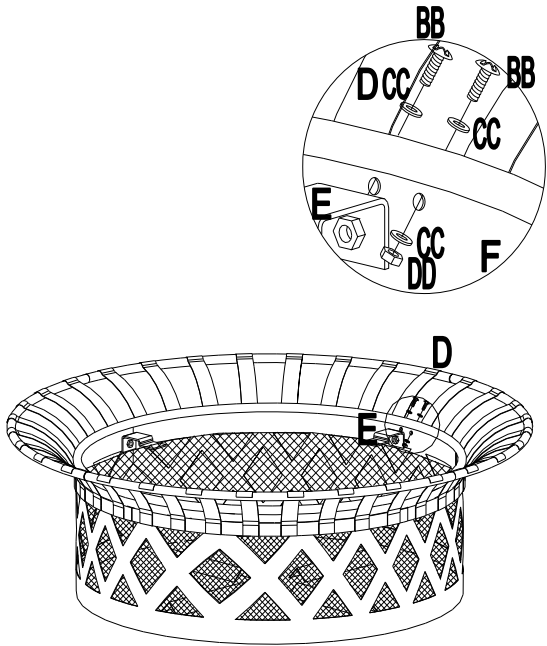
Assembly Steps



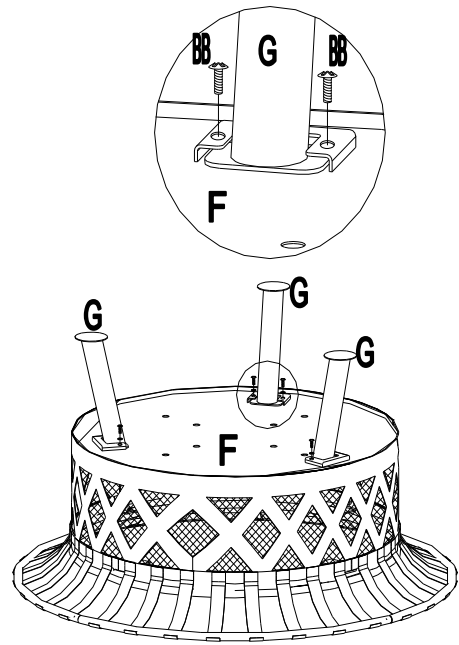
Step 1: Connect Lift handle (A) with Screen (B) and use Flange Nuts (AA) to fix them.



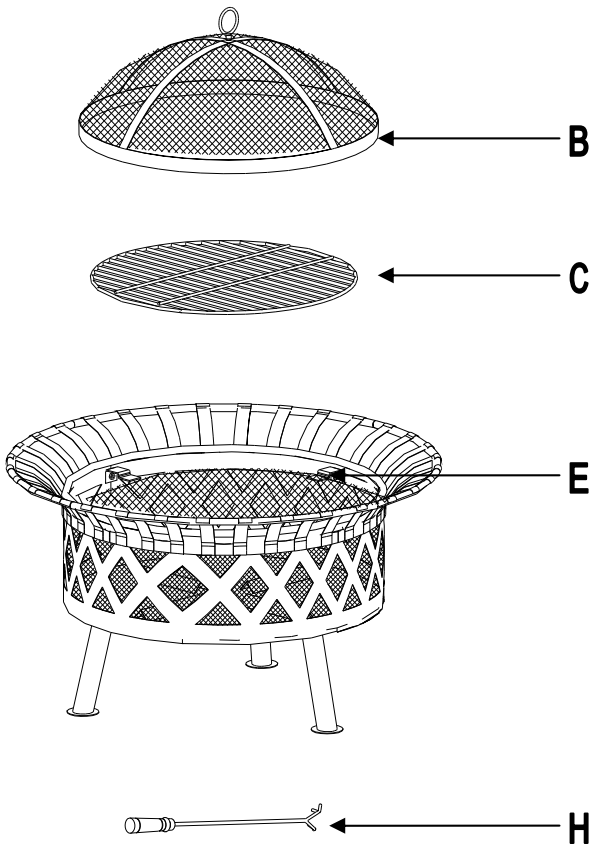
Step 2: Put 4pcs Decorative Rail (D) as photo. Then join the Decorative rails (D) together one by one, final to be cycle.



Step 3: Connect the Grill supporter (E) and Decorative Rail (D) with 4pcs Bolts (BB), Washer (CC), then to connect fire bowl (F) and Decorative Rail (D) with 4pcs Bolts 4pcs Nuts (M) and 8pcs Washer (CC).



Step 4: Reverse Fire bowl (F) and place it on the level ground, insert the square end of Leg (G) into the slot of Fire bowl (F), use Bolts (BB) to secure it. Do the same for the other two legs. (Please use the Screwdriver to tighten).



Step 5: Turn around the fire pit to have it stand upright in normal status. Put Grate (C) and Screen (B) onto the Grill Supporter (E). Then place Poker (H) is beside of fire pit.

Care & Cleaning

Before using, clean the fire pit completely with a soft dry towel.

When not in use, store in a cool, dry area.

Limited Warranty: The item is warranted to be free from defects in material or workmanship for a period of six (6) months. However, we do not reimburse for transportation or delivery costs, nor compensate the individual or any outside party for assembling or disassembling the product. This limited warranty is extended to the original purchaser and applies to defects in materials and workmanship of your item, provided the item is maintained with care and used only for personal residential purposes.

Exclusions: Items used for commercial, contract, or other non-residential purposes, or items damaged due to acts of nature, vandalism, misuse, or improper assembly are not covered. Corrosion or rusting of hardware is not covered. Proof of purchase (dated register receipt) is required for warranty claims. Warranty is to the original purchaser and is non-transferable. Any replacement of warranted items will be in the original style and color, or a similar style and color if the original is unavailable or has been discontinued. As some states do not allow exclusions or limitations on an implied warranty, the above exclusions and limitations may not apply. This warranty gives you specific rights, and you may also have other rights, which vary from state to state.

WARNING: Fuels used in wood or charcoal burning appliances, and the products of combustion of such fuels, contain chemicals known to cause cancer, birth defects or other reproductive harm.