

ASSEMBLY INSTRUCTION

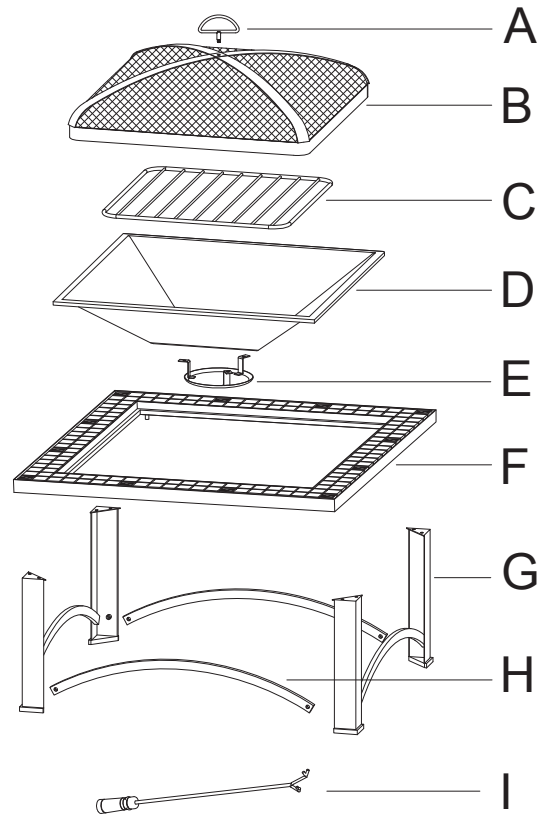
L-FT456PST-2B

WARNINGS:

- This fire pit is intended for outdoor use only. DO NOT use on wooden decks.
- Do not use near flammable or combustible objects or materials.
- It is intended to burn wood logs only.
- Do not burn coal, leaves or other combustible materials in the fire pit.
- Not for use by children. Keep children & pets away from the fire pit.
- Never leave burning fire pit unattended.
- Always extinguish fire thoroughly before leaving the fire pit.
- The lift handle will be hot and unsafe to touch during use.
- It can reach extreme temperatures and cause injury to an unprotected hand.
- Use carefully, never touch hot fire pit with bare hands.
- Please use poker, appropriate heat-resistant glove or pad when handling.
- Do not use the fire pit as cooking appliance. It is not designed for grilling food.

Parts List

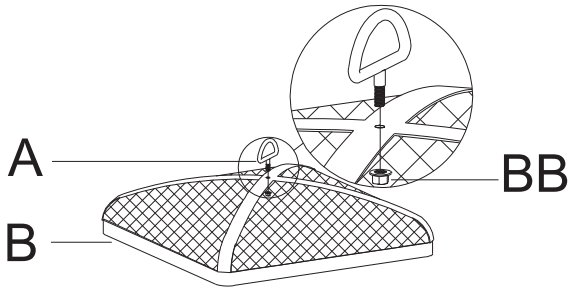
No.	Description	Qty
A	Handle	1
B	Spark Guard	1
C	Grill	1
D	Fire Bowl	1
E	Ash Tray	1
F	Slate Top	1
G	Legs	4
H	Connection Ring	4
I	Poker	1
AA	M6×10mm Bolt	8
BB	M6 Nut Flange Nut	1
CC	M5 Nut Flange Nut	3
DD	M5×10mm Bolt	3
EE	M6 Nut	8
FF	Washer	8
GG	M5/M6 Wrench	1



ASSEMBLY STEPS:

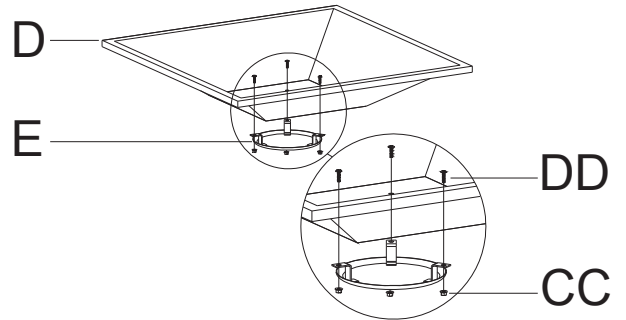
Step 1:

Insert handle (A) into hole in spark guard (B) and tighten it with nut (BB) underside to secure by the wrench (GG)



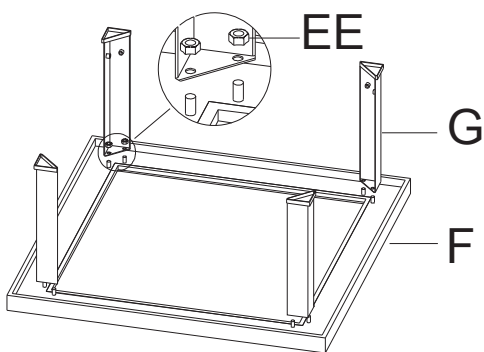
Step 2:

Attach ash tray (E) to fire bowl (D) using bolt (DD) and nut (CC). Then tighten it by wrench (GG) and screwdriver.



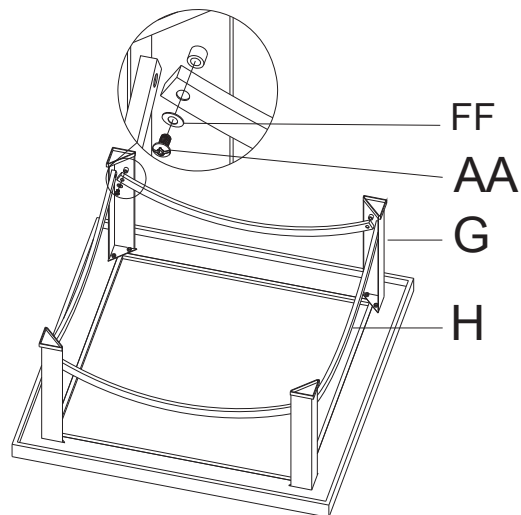
Step 3:

Place the slate top (F) upside down on a soft and clean surface. Connect legs (G) and slate top (F) with nut (EE). Do not tighten them at this time.



Step 4:

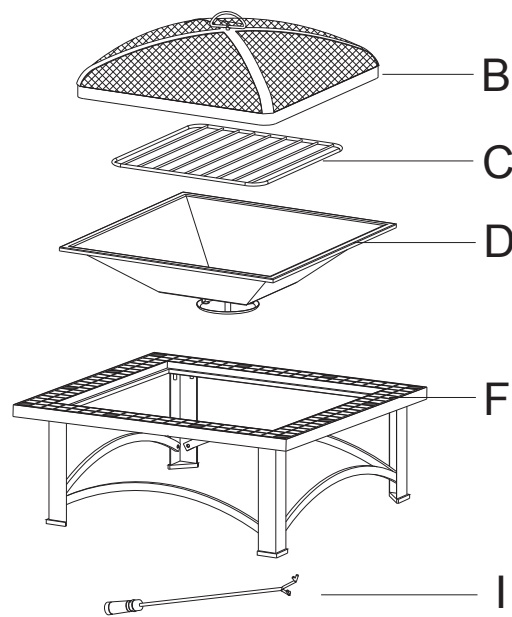
Attach connection ring (H) to leg (G) using (AA) & washer (FF). Then tighten all hardware by wrench and screwdriver.



Step 5:

Turn the ready base and slate top over, and then place fire bowl (D), grill(C) and spark guard (B) in turn as below.

Now you are ready to use this fire pit. Keep the Poker (I) near your fire pit for use at anytime you need.



WARNING: Fuels used in wood or charcoal burning appliances, and the products of combustion of such fuels, contain chemicals known to cause cancer, birth defects or other reproductive harm.