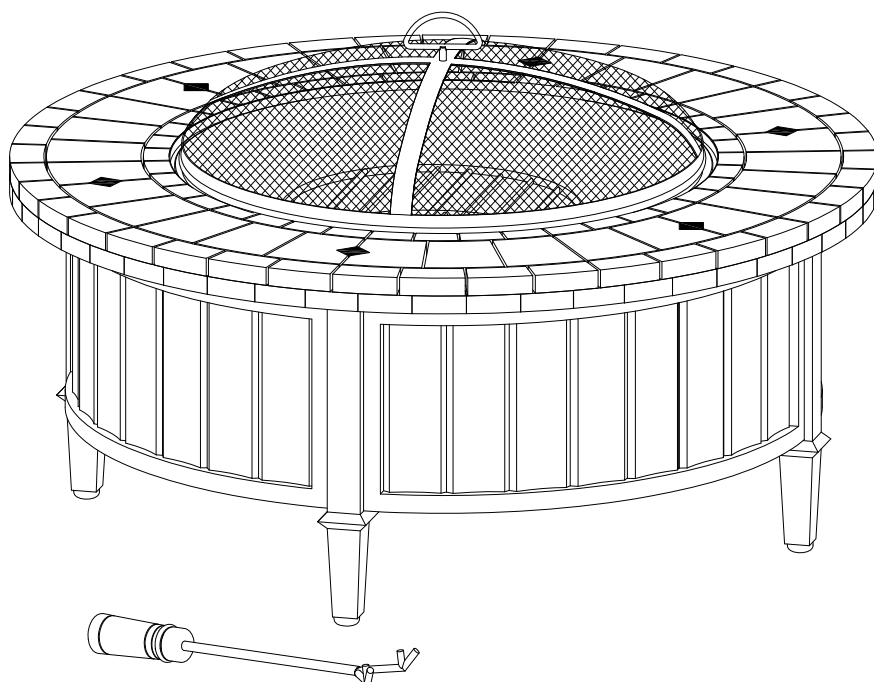


# ASSEMBLY INSTRUCTIONS

## L-FT253PST-6



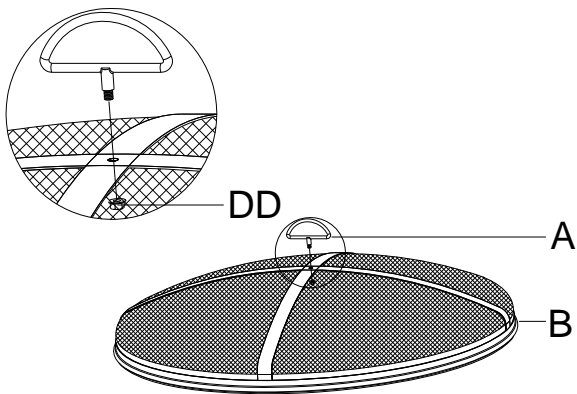
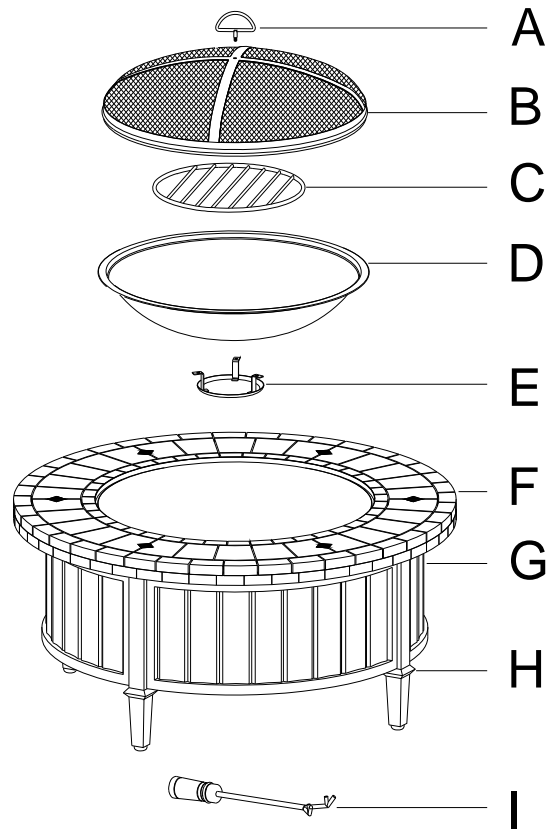
### **WARNINGS**

- Cook pit is intended for outdoor use only. For use on nonflammable surfaces such as slate, stone or brick.
- Do not use on wood decks or any wooden surface.
- Cook pit is intended to burn wood logs only. Do not burn coal, leaves or other combustible materials.
- Keep flammable or combustible objects away from cook pit.
- Not for use by children. Keep children and pets a safe distance from the cook pit.
- Cook pit is hot. Use with caution. Never touch hot cook pit with bare hands.
- Never leave burning cook pit unattended. Always extinguish the fire completely before leaving the cook pit.
- When the cook pit is in use, the handle on the mesh screen can reach extreme temperatures that will cause injury to an unprotected hand. Please use poker or an appropriate heat resistant glove or pad when handling.

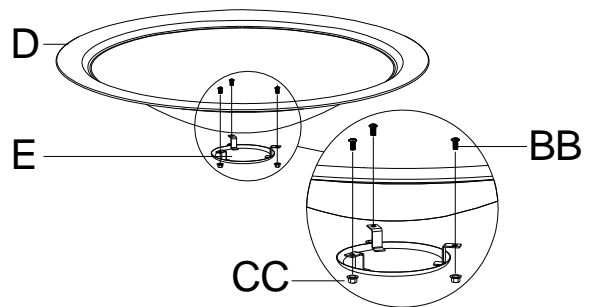
### **IMPORTANT**

For technical assistance on assembly or replacement parts, you can call us toll-free at 1-866-578-6569 from 8 a.m. EST to 8 p.m. PST or email to [customer.care@sunjoygroup.com](mailto:customer.care@sunjoygroup.com) or visit [www.sunjoyonline.com](http://www.sunjoyonline.com) to place your order or fax your parts replacement order form together with your purchase receipt to 1-740-283-3549 for assistance.

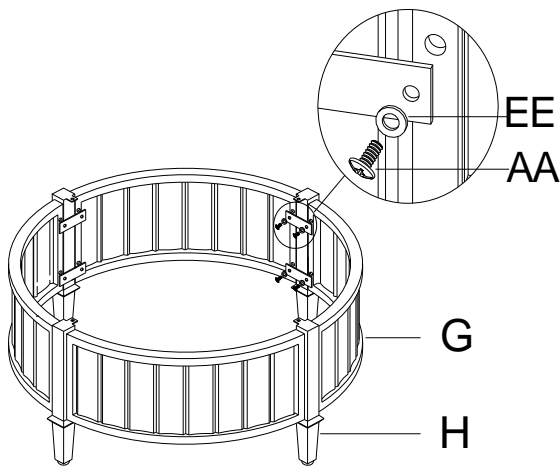
Parts List		
Part#	Description	Qty
A	Handle	1
B	Screen cover	1
C	Grate	1
D	Fire bowl	1
E	Ash tray	1
F	Table top	1
G	Body panel	4
H	Leg	4
I	Poker	1
AA	Bolt M6x20	20
BB	Bolt M5x10	3
CC	Nut M5	3
DD	Nut M6	1
EE	Flat washer M6	20
FF	Wrench M5/M6	1



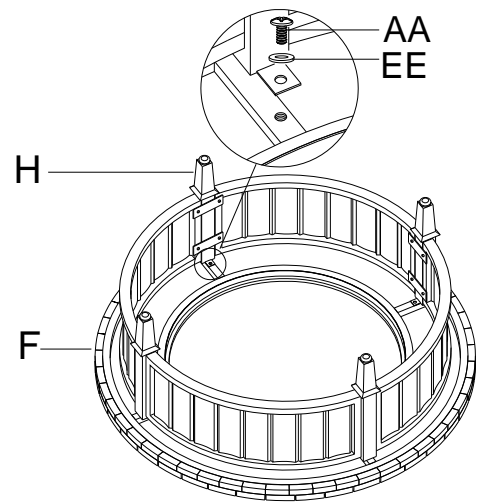
**Step 1.** Attach Handle (A) to Screen cover (B) with Bolt (DD).



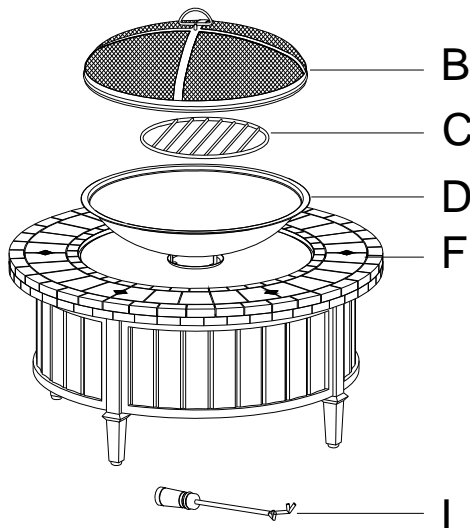
**Step 2.** Attach Ash tray (E) to Fire bowl (D) with Bolt (BB) and Nut (CC).



**Step 3.** Attach Body panel (G) and Leg (H) together with Bolt (AA) and Washer (EE).



**Step 4.** Secure Table top (F) and Leg (H) together with Bolt (AA) and Washer (EE).



**Step 5.** Place Fire bowl (D), Grate (C) and Screen cover (B) respectively on the assembled fire pit.

**Now your fire pit is ready for use.**

**Cleaning and care of the cooking grate.** After cooking on your grate you can allow any accumulated residue to burn off, this will reduce the amount of cleaning required for the grill and inside of the cooking pit. Once the fire and ambers have died down and cooled off, brush any loose particles from the grate with a grill brush, do not attempt while the grate is hot! Let it cool first. For a more thorough cleaning you can use mild soap and water and gently scrub the grate with fine steel wool.

**Remove ashes from the fire bowl.** It is important to remove the accumulated ashes from the fire bowl when they are cold. Ashes absorb moisture and may promote premature rusting and will also prevent the proper air flow required for grilling.

**Poker.** The poker is not intended for food use.

**WARNING:** Fuels used in wood or charcoal burning appliances and the products of combustion of such fuels contain chemicals known to cause cancer, birth defects or other reproductive harm.