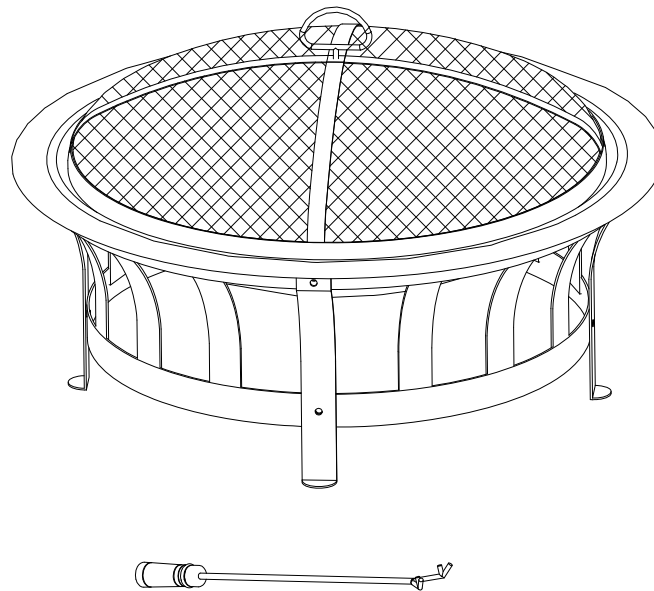


ASSEMBLY INSTRUCTIONS

ITEM# L-FT039PSS-A



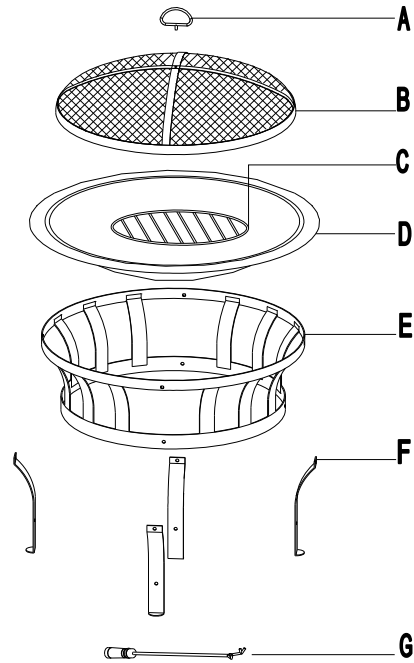
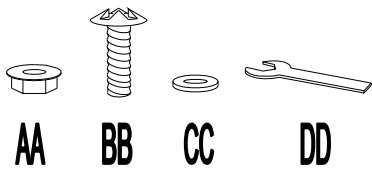
WARNING:

- The fire pit is HOT! DO NOT allow your children to play near it when fire pit is in use.
- To avoid destroying the finish, please handle the surface by using a soft cloth instead of your bare hands.
- Do not touch the surface of iron fire grate and the Fire Bowl while in use. It may cause burns.

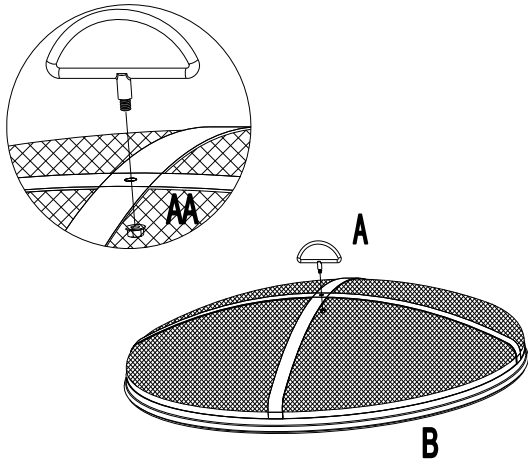
USE AND CARE

- For outdoor use only!
- NEVER LEAVE FIRE UNATTENDED!
- DO NOT TOUCH or allow children near Fire Pit when it is in use. Hot embers can fly out of basin in breezy conditions. Adequate fire extinguishing material should be readily available.
- CARBON MONOXIDE HAZARD
- Burning charcoal inside can kill you. It gives off carbon monoxide, which has no odor. NEVER burn charcoal inside, vehicles or tents.
- DO NOT use gasoline or kerosene. Use only a method of lighting, which is acceptable. This unit has been designed for burning of charcoal and untreated wood only.
- DO NOT use on wood deck.
- DO NOT use in the vicinity of flammable objects.
- DO NOT use this Fire Pit as a cooking appliance. This Fire Pit is not designed to be used for grilling food.
- Your Fire Pit is made of Copper, and will age to a beautiful finish. If desired, the original color can be restored by using a metal cleaner and polishing with a soft cloth

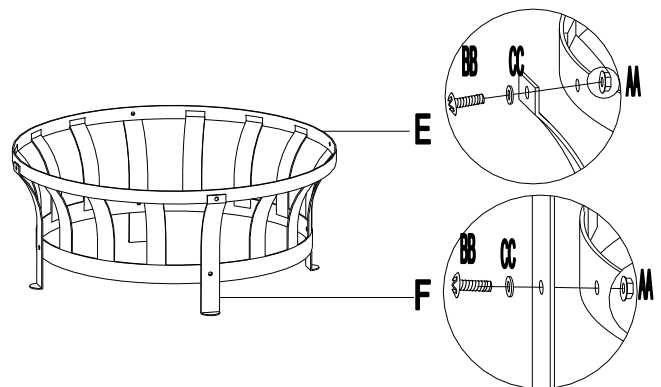
Parts List		
Part#	Description	QTY
A	Handle	1
B	Mesh screen	1
C	Grate	1
D	Bowl	1
E	Base	1
F	Leg	4
G	Poker	1
AA	M6 Nut	9
BB	M6x15 Bolt	8
CC	Washer	8
DD	M6 Wrench	1



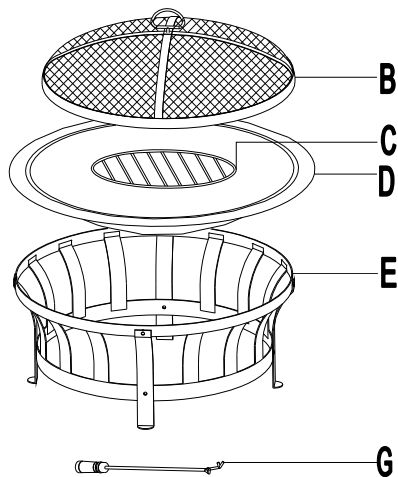
ASSEMBLY STEPS



Step 1: Connect handle (A) and mesh screen (B) by nut (AA).



Step 2: Connect leg (F) and base (E) by bolt (BB), washer (CC) and nut (AA), then fully tighten.



Step 3: Put grate (C), bowl (D) into base (E).

LIMITED WARRANTY:

This limited warranty is extended to the original purchaser and applies to defects in materials and workmanship of your item provided the item is maintained with care and used only for personal, residential purposes.

The item is warranted to be free from defects in material or workmanship for a period of **6 months**. If any defect is found, please call our customer service department at 1-866-578-6569 for help. The manufacturer will not cover transportation or delivery costs, or compensate the individual or any outside party for assembling or disassembling the product. This warranty gives you specific legal rights, and you may also have other rights which vary from state to state.

SERVICE:

For technical assistance on assembly or replacement parts, you can call us toll-free at 1-866-578-6569 from 8 a.m. EST to 8 p.m. PST or email to customer.care@sunjoygroup.com or visit www.sunjoyonline.com to place your order or fax your parts replacement order form together with your purchase receipt to 1-740-283-3549 for assistance.