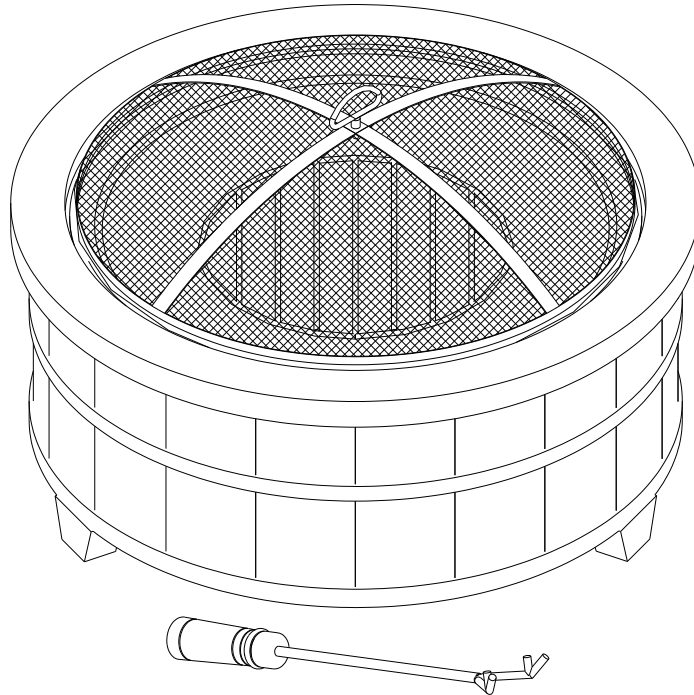


Assembly Instruction

Item# D-FT012PST

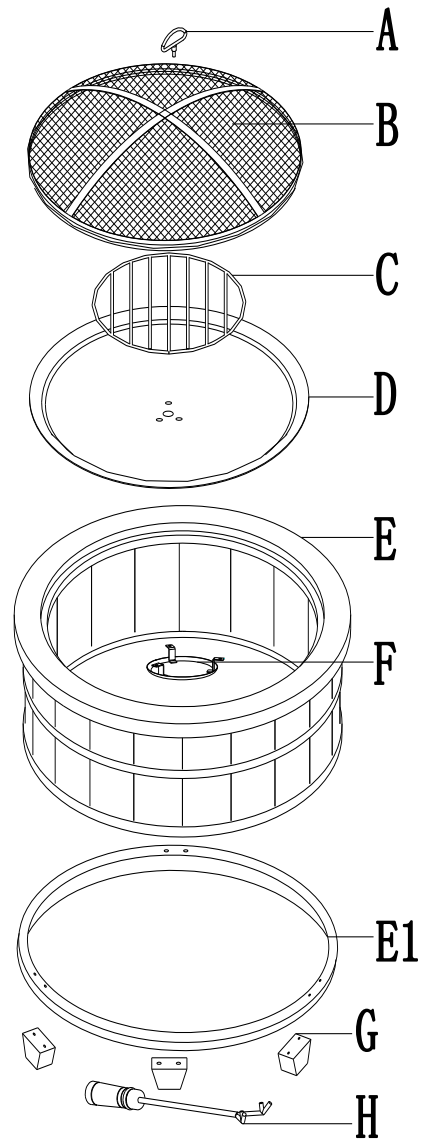


WARNINGS:

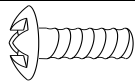

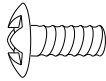


- This fire bowl is intended for outdoor use only. **Do not** use on wooden decks. **DO NOT** use in the vicinity of flammable objects.
- This fire bowl is intended to burn wood logs only. Do not burn leaves, or other combustible materials in the fire bowl.
- Not for use by children. Keep children and pets away from the fire bowl.
- The fire bowl is hot. Use with caution. Do not touch the hot fire bowl with bare hands.
- Never leave the burning fire bowl unattended, and always extinguish the fire completely before leaving the fire bowl.
- Do not use near flammable or combustible objects or materials.
- **DO NOT** use this Fire Pit as a cooking appliance. This Fire Pit is not designed to be used for grilling food.
- When the fire bowl is in use, the handle on the mesh screen can reach extreme temperatures that can cause serious injury to an unprotected hand. Use a poker or an appropriate heat resistant glove or pad when handling.
- Check local fire regulations and municipal by-laws for safe use.

Parts List

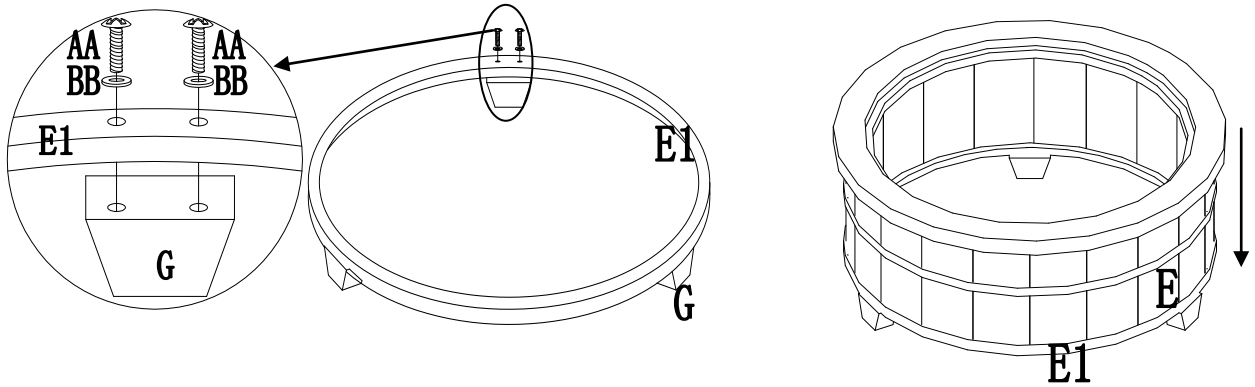
Handle	A	1
Screen	B	1
Fire grate	C	1
Bowl	D	1
Faux stone base	E	1
Bottom ring	E1	1
Ashtray	F	1
Foot pad	G	3
Poker	H	1



Hardware Pack

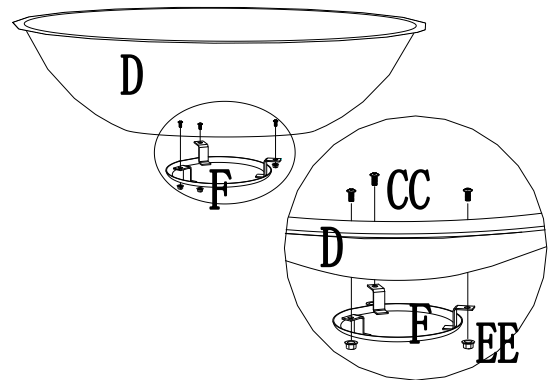
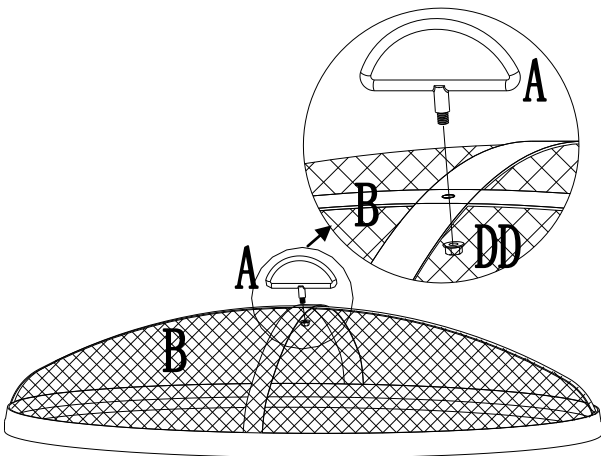
AA	M6x30 Screw	6pcs	
BB	M6 Flat Washer	6pcs	
CC	M5x10 Screw	3pcs	
DD	M6 Flanged Nut	1pcs	
EE	M5 Flanged Nut	3pcs	

Step1: Put the foot pad (G) on the ground, and connect bottom ring (E1) and foot pad (G) by screw (AA) and flat washer (BB). Then put base (E) on the bottom ring according to the direction of the arrow.

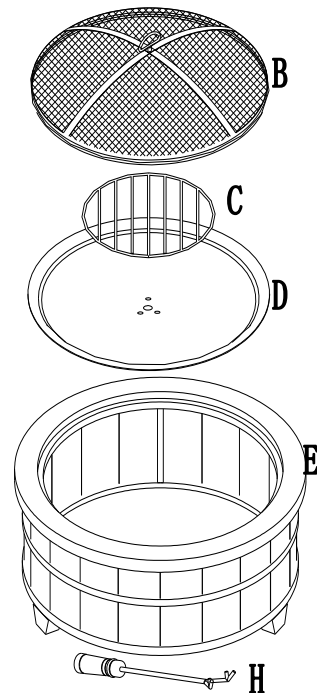


Step2: Connect handle (A) and screen (B) by using nut (DD).

Step3: Connect bowl (D) and ashtray (E) by using screw (CC) and nut (EE).



Step4: Put bowl (D), fire grate (C) and screen (B) on the assembled base (E) orderly. Put the poker (H) aside ready to use.



The Firepit is now ready for use.

Limited Warranty:

This limited warranty is extended to the original purchaser and applies to defects in materials and workmanship of your item provided the item is maintained with care and used only for personal, residential purposes.

The item is warranted to be free from defects in material or workmanship for a period of (6) months. We don't reimburse for transportation or delivery costs, or compensate the individual or any outside party for assembling or disassembling the product.

Thank you for purchasing this SUNJOY product. These products have been made to demanding, high-quality standards and are guaranteed for domestic use against manufacturing faults. This warranty does not affect your statutory rights.

For technical assistance on assembly or replacement parts. In the continental U.S., you can call us toll-free at 1-866-578-6569 from 8 a.m. to 5 p.m. CST Monday – Friday. In the continental Canada, you can call us toll-free at 1-844-SUNJOY1 (1-844-786-5691) from 8 a.m. to 5 p.m. CST Monday – Friday. You can fax the replacement part form which is in the box to (740)-283-3549 .You can also send us an email to customer.care@sunjoydirect.com.The manufacturer reserves the right to repair or replace the defective product, at its discretion.

The product is guaranteed if used for normal trade purposes. Any warranty is invalid if the product has been overloaded or subject to neglect, improper use or an attempted repair other than by an authorized agent. Heavy-duty or daily professional/commercial usage are not guaranteed. Due to continuous product improvement, we reserve the right to change the product specifications without prior notice.