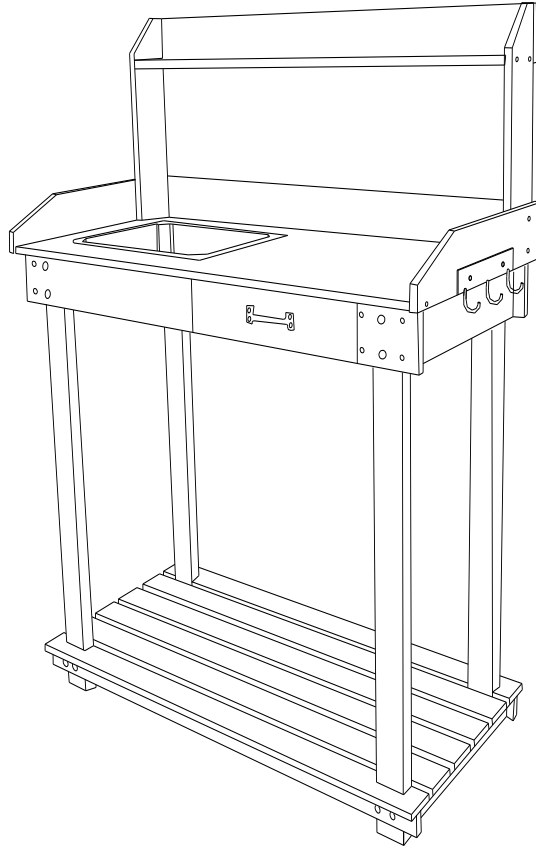


# ASSEMBLY INTRUCTION

## ITEM#: D-DNT311PWD



### **WARNING:**

Repeated assembly can weaken the locking ability of the screw/bolt/nut. Periodically check all bolted connections on your product to make sure they are tight and secure. Keep these instructions for future reference.

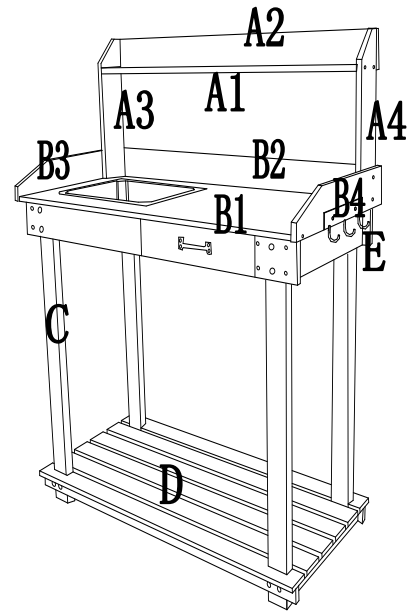
Some parts may contain sharp edges. Wear protective gloves as necessary.

Set it up on the flat, level ground.

**Attention: Please notice there are split lines in the wood logs. These are NOT defects. These are factory created to allow expansion and contracting as the weather changes throughout the year.**

**Important:** For technical assistance on assembly or replacement parts, please call Sunjoy Industries at 1(866) 578-6569 from 8:00 AM EST to 8:00 PM PST. You may email to [customer.care@sunjoygroup.com](mailto:customer.care@sunjoygroup.com) or visit [www.sunjoyonline.com](http://www.sunjoyonline.com) to place your order or fax your parts replacement order form (which is included in the packaging) together with your purchase receipt to 1 (740) 283-3549 for assistance.

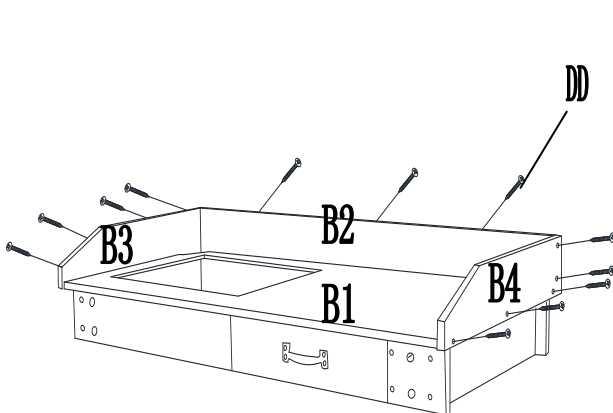
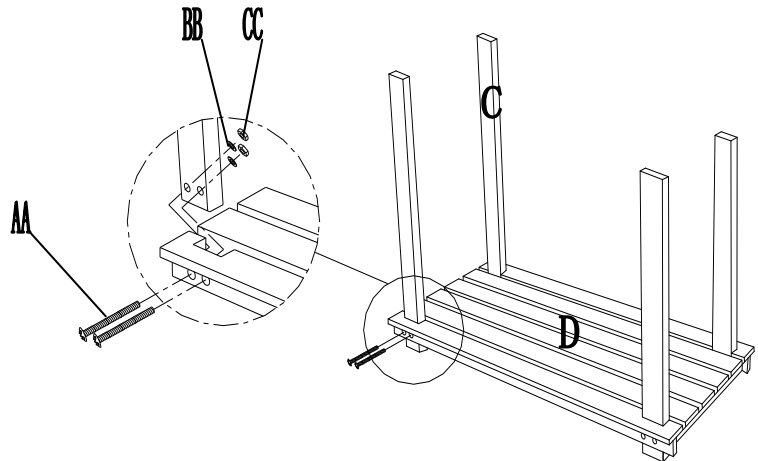
PARTS LIST		
Label	Description	QTY
A1	Shelf 1	1
A2	Rear panel 1	1
A3	Side panel 1	1
A4	Side panel 2	1
B1	Table top	1
B2	Rear panel 2	1
B3	Side panel 3	1
B4	Side panel 4	1
C	Support bar	4
D	Shelf	1
E	Hook coupling	1
AA	Screw M6x45	16
BB	M6 Flat washer	16
CC	M6 Nut	16
DD	Self-taping screw M3.5x20	27
EE	Self-taping screw M3.5x10	2



## ASSEMBLY STEPS

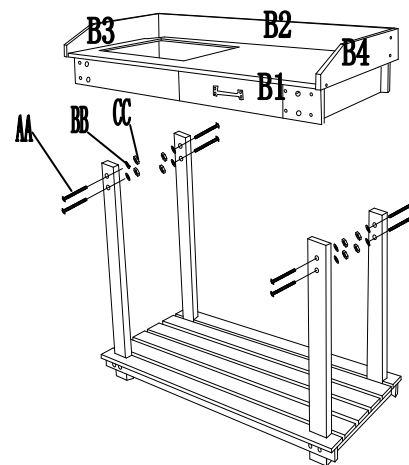
### Step 1:

Attach Support bar (C) and Shelf (D) by using screw AA, Flat washer BB and Nut CC.



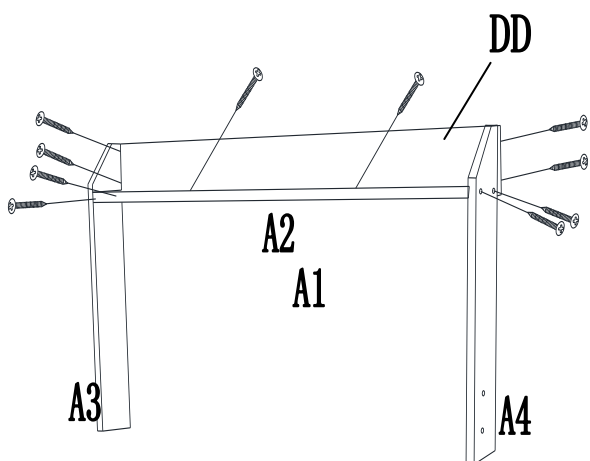
### Step2:

Attach Table top (B1) and Side panel (B2/B3/B4) together with self-taping screw (DD).



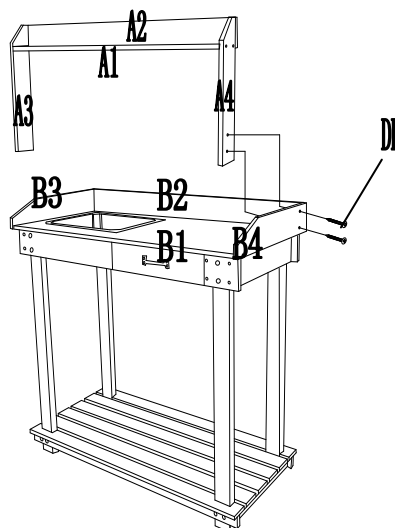
### Step 3:

Attach Table top (B1) and Support bar (C) by using Screw (AA), Flat washer (BB) and Nut (CC).



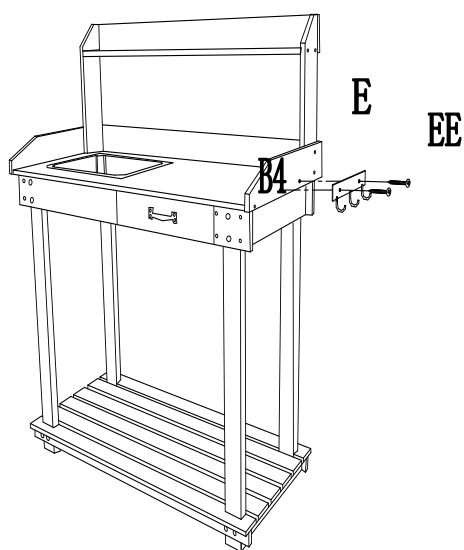
**Step 4:**

Attach Shelf 1 (A1), Side panel (A3/A4) together with self-taping screws (DD).



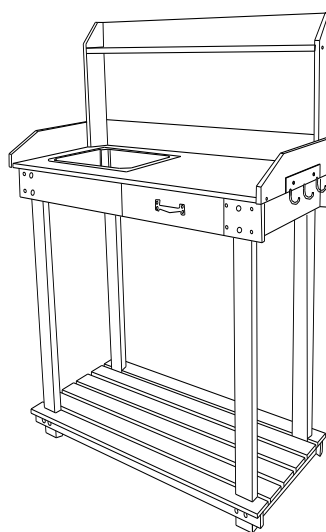
**Step5:**

Attach Side panel (B3/B4) and Side panel (A3/A4) together with Self-taping screw (DD).



**Step 6:**

Attach Hook coupling to Side panel 4 (B4) with Self-taping (EE).



**Now your potting stand is ready for USE**

**Limited Warranty:**

This limited warranty is extended to the original purchaser and applies to defects in materials and workmanship of your item, provided the item is maintained with care and used only for personal, residential purposes. The item is warranted to be free from defects in material or workmanship for a period of six (6) months. We do not reimburse for transportation or delivery costs, nor compensate the individual or any outside party for assembling or disassembling the product.

**Exclusions:**

Items used for commercial, contract, or other non-residential purposes, or items damaged due to acts of nature, vandalism, misuse, or improper assembly are not covered. Corrosion or rusting of hardware is not covered. Proof of purchase (dated register receipt) is required for warranty claims. Warranty is to the original purchaser and is non-transferable. Any replacement of warranted items will be in the original style and color, or a similar style and color if the original is unavailable or has been discontinued. As some states do not allow exclusions or limitations on an implied warranty, the above exclusions and limitations may not apply. This warranty gives you specific rights, and you may also have other rights, which vary from state to state.