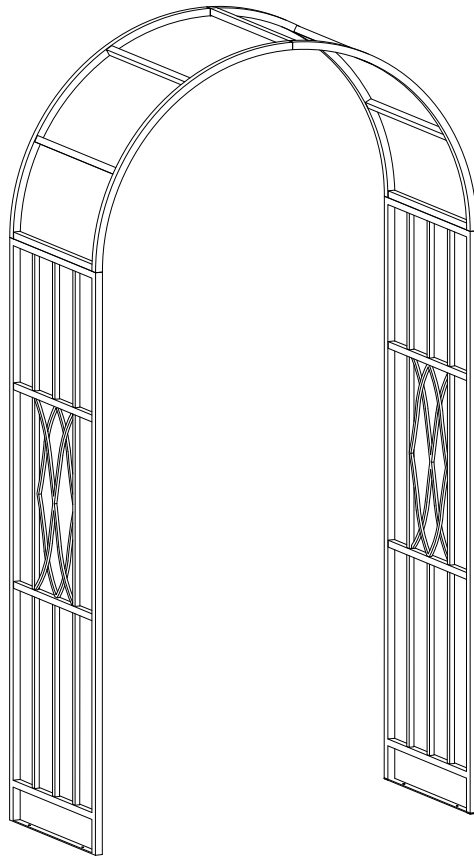


ASSEMBLY INTRUCTION

ITEM#: L-AB215PST-A



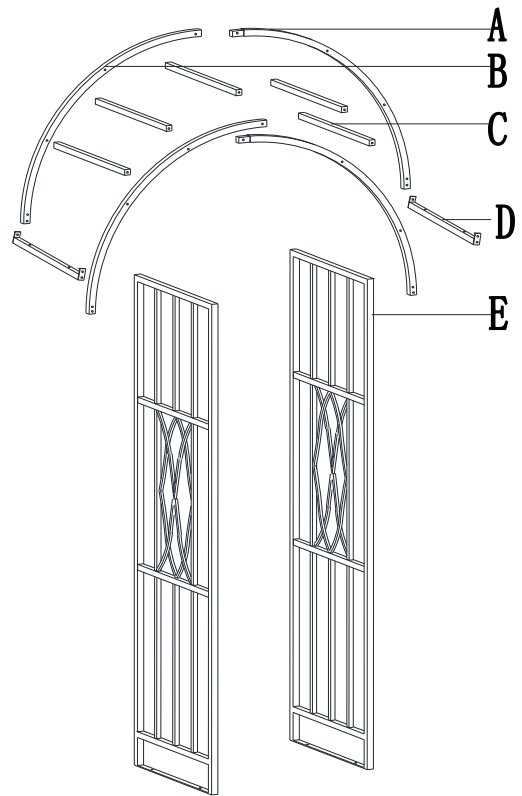
WARNING:

- Keep all children and pets away from assembly area. Children and pets should be supervised when they are in the assembly area of the arbor.
- Some parts may contain sharp edges. Wear protective gloves.
- When assembling and using this product, basic safety precautions should always be followed to reduce the risk of personal injury and damage to equipment. Please read all instructions before assembly and usage.
- For outdoor use only. Install on level ground securely.
- Check all bolts for tightness before and during usage.
- Do not leave the arbor assembled when there is a risk of high wind, as possible damage will occur to the structure.
- Do not climb on the arbor. Falling off the arbor can result in serious injury, possibly even death.

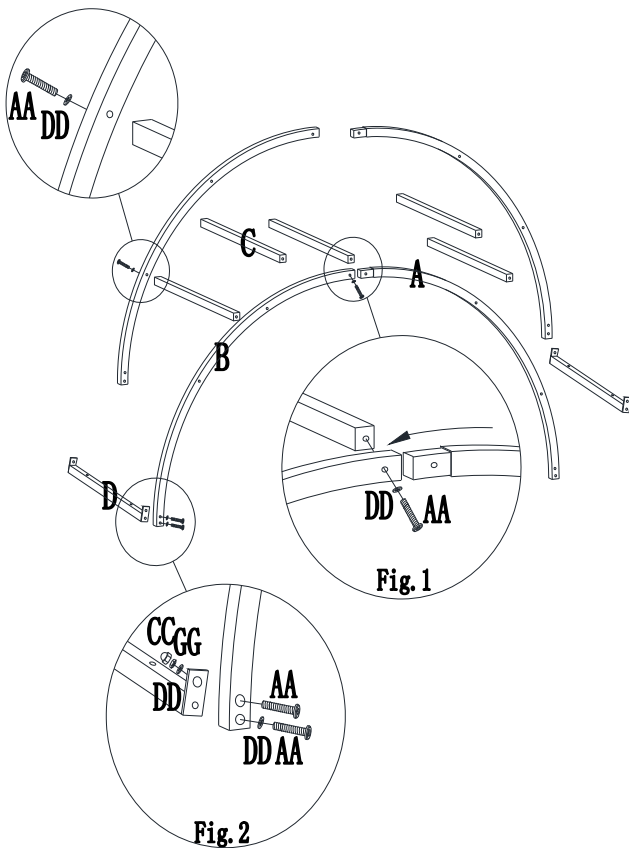
Important: For technical assistance or questions, call Sunjoy Group at 1(866) 578-6569 anytime 24 hours / 7 days a week, or email to customer.care@sunjoygroup.com, or visit www.sunjoyonline.com for more information or assistance.

Parts List		
Part#	Description	QTY
A	Arch top beam 1	2
B	Arch top beam 2	2
C	Top support beam	5
D	Side top support beam	2
E	Screen	2

HARDWARE PACK		
Label	DESCRIPTION	QTY
AA	Bolt M6x30	18
BB	Bolt M6x50	4
CC	Plastic cap M6	8
DD	Washer M6	22
EE	Stake M6x180	4
FF	WrenchM6	1
GG	Cover M6	8
HH	Allen wrench	1

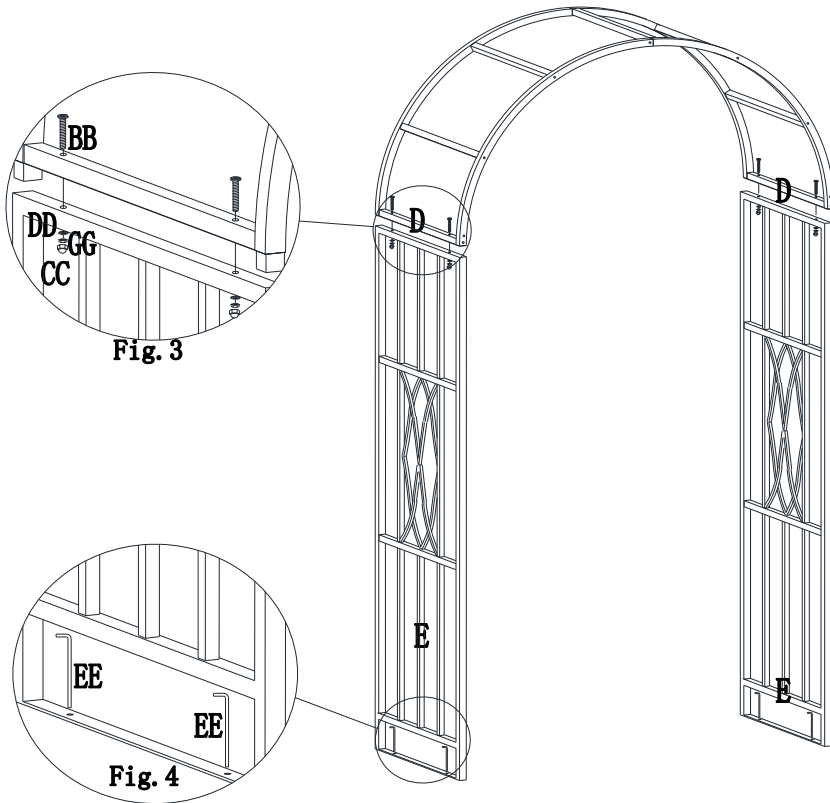


ASSEMBLY STEPS



Step 1: Insert Arch top beam 1 (A) into Arch top beam 2 (B) and connect them with Top support beam (C) by Bolt (AA) and Washer (DD).

Step 2: Connect Side top support beam (D) and Arch top beam (A/B) by Bolt (AA), Washer (DD), Cover (GG) and Plastic cap (CC). Tighten all bolts by Allen wrench (HH).



Step 3: Insert connected A & B into Screen (E), then tighten by Bolt (BB), Washer (DD), Cover (GG) and Plastic cap (CC). Tighten all bolts by Allen wrench (HH).

Step 4: Secure the completely assembled arbor to the ground by using the Ground Stake (EE).

Limited Warranty

The item is warranted to be free from defects in material or workmanship for a period of **6 Months**. However, we don't reimburse for transportation or delivery costs, or compensate the individual or any outside party for assembling or disassembling the product. This limited warranty is extended to the original purchaser and applies to defects in materials and workmanship of your item, provided the item is maintained with care and used only for personal residential purposes.

Exclusions

Items used for commercial, contract, or other non-residential purposes, or items damaged due to acts of nature, vandalism, misuse, or improper assembly are not covered. Corrosion or rusting of hardware is not covered. Proof of purchase (dated register receipt) is required for warranty claims. Warranty is to the original purchaser and is non-transferable. Any replacement of warranted items will be in the original style and color, or a similar style and color if the original is unavailable or has been discontinued. As some states do not allow exclusions or limitations on an implied warranty, the above exclusions and limitations may not apply. This warranty gives you specific rights, and you may also have other rights, which vary from state to state.

Maintenance

Our iron/steel components for garden accessories and furniture are coated with rust inhibiting paint that protects it from rusting. However, due to the nature of steel, surface oxidation (rusting) will occur once these protective coatings are scratched. This is a natural process and is not a defect! To minimize this condition, we recommend care when assembling & handling the product to prevent scratching the paint. Should any scratching or damage occur, we recommend immediate touch-up with rust inhibiting paint. Surface rust can also be easily removed with a very light application of common cooking oil. If surface oxidation (rusting) occurs and if no measure is taken to prevent this, the oxidation may start dripping on to deck or patio and cause damaging stains, which may be difficult to remove. This can be prevented if measures are taken to keep the product from oxidizing.