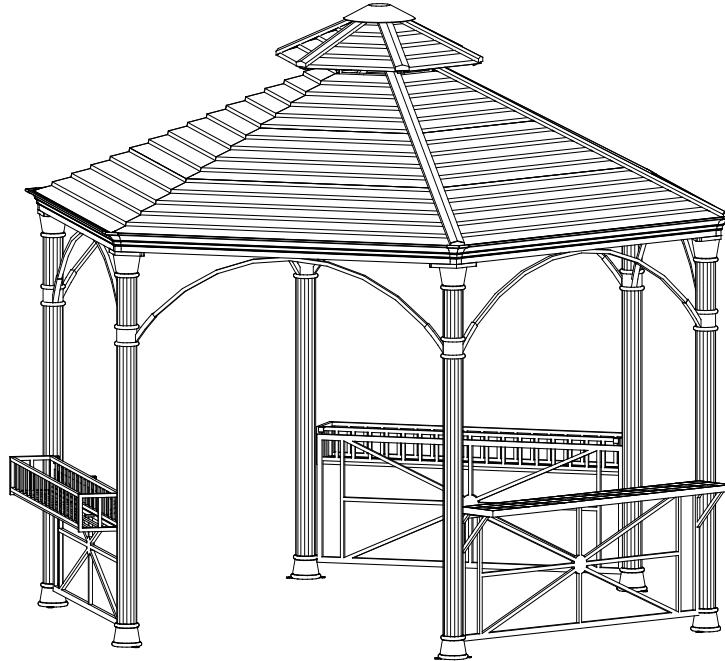


Assembly Instruction

NS#: 110102017/110102021

Item#: D-GZ842PST-AS-135 (Black Top) / D-GZ842PST-AS-235 (Faux Copper Top)

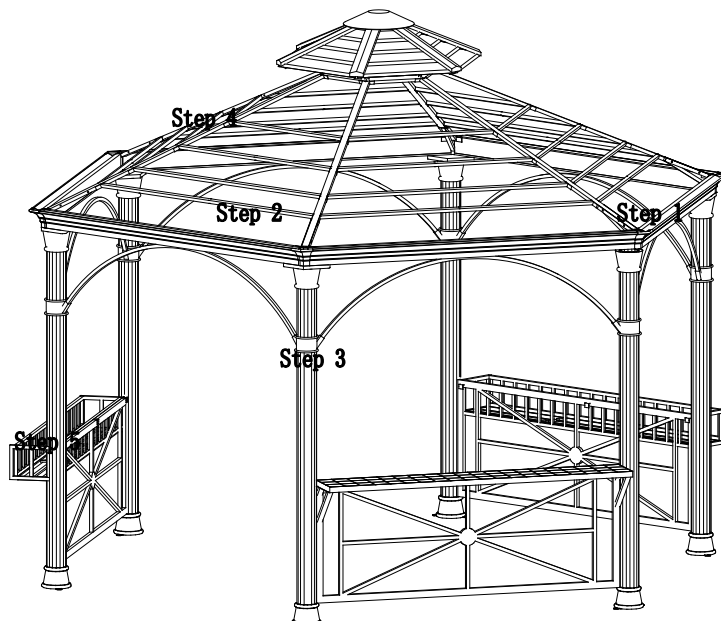


Our clear, easy-to-follow, step-by-step instructions will guide you through the project from start to finish. The final product will be a quality piece that will go together smoothly and give years of enjoyment. All you will need is a screwdriver, a hammer and **two** ladders (not included) whose height is no less than 2.5m.



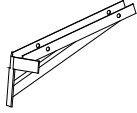




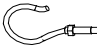
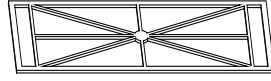
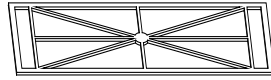




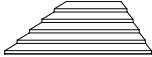




Note: THIS UNIT IS HEAVY!

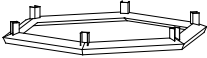

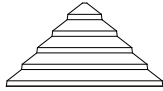
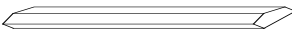


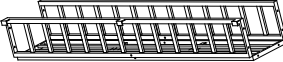
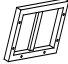
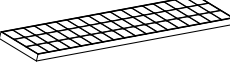

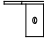

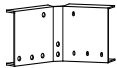
Do NOT assemble this item alone for safety. Six people are necessary.

Item Identification: For ease of identification, all parts are labeled to correspond to the Step number in which the part is used.

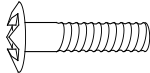

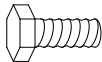
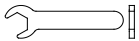


Parts List

Gutter	A	6	
Corner cover	A1	6	
Beam connector	B	6	
Arc support tube	C	6	
Post 1	D1	3	
Post 2	D2	3	
Baffle	E	6	
Centre hook	F	1	
Screen 1	G1	1	
Screen 2	G2	2	
Small beam 1	H1	6	
Small beam 2	H2	6	
Small beam 3	H3	6	
Small beam 4	H4	6	
Big roof cladding 1	I1	6	
Big roof cladding 2	I2	6	
Big roof cladding 3	I3	6	
Big roof trim cap	J	6	
Big roof beam	K	6	

Roof connection	L	1	
Small roof bar	M	6	
Small roof cladding	N	6	
Small roof trim cap	O	6	
Second roof top connector	P	1	
Second roof cover	Q	1	
Flower basket	R	2	
Basket side frame	S	4	
Slate top	T	1	
Slate top support	U	2	
Right-angle support	V	2	
Curtain tube	W	6	
Gutter connector	X	6	

Hardware Pack 1

AA	M6 x 35 Bolt	6 PCS	
BB	M6 Flat washer	48 PCS	
CC	M6 x 20 Bolt	42 PCS	
Z1	M6 Wrench	2 PCS	

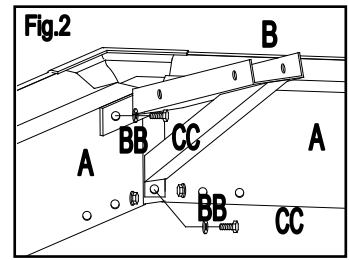
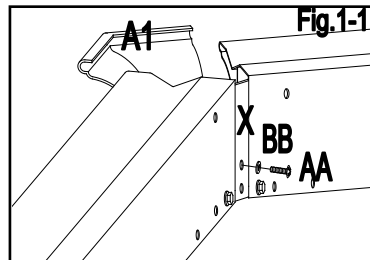
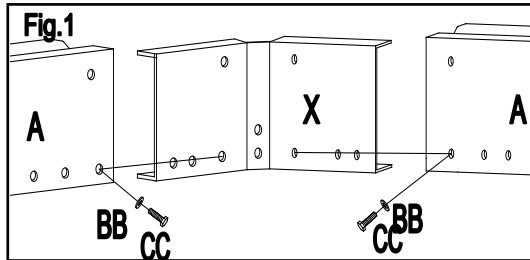
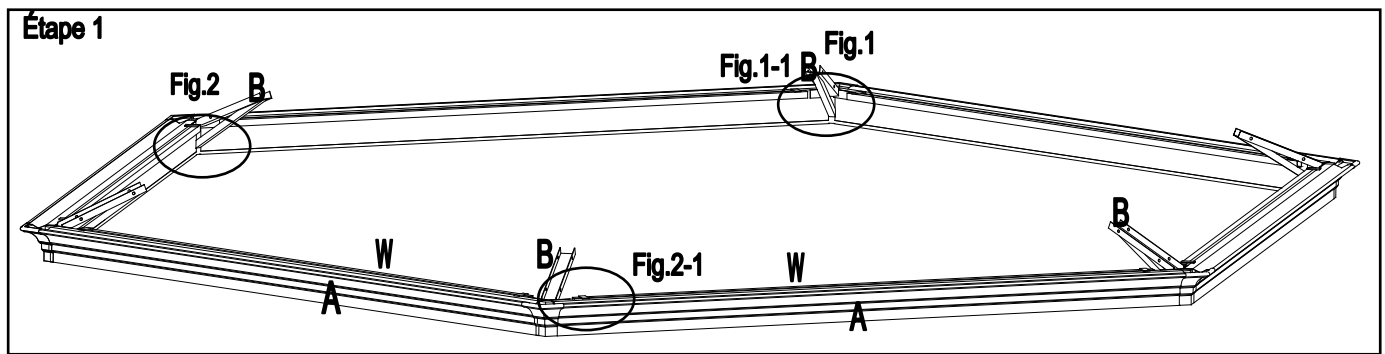


Fig.1: Insert gutter connector (X) to gutters (A) and tighten with flat washer (BB) and bolt (CC) as showed in Fig.1.

Fig.1-1: Attach the corner cover (A 1) to the gutter connector (X) with bolt (AA) and flat washer (BB).

Fig.2: Connect the beam connector (B) to the gutter (A) with bolt (CC) and flat washer (BB).

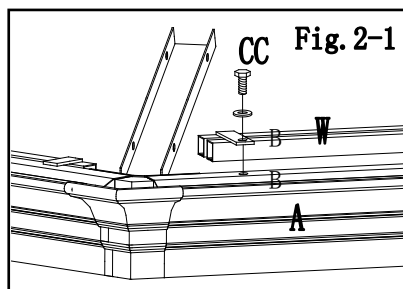

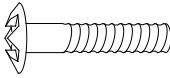
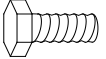
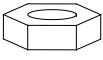
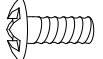
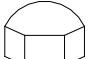

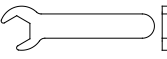


Fig.2-1: Attach the curtain tube (W) to the gutter (A) using bolt (CC) and flat washer (BB).

Hardware Pack 2

BB	M6 Flat washer	108 PCS	
DD	M6 x 55 Screw	30 PCS	
CC	M6 x 20 Bolt	12 PCS	
FF	M6 Nut	18 PCS	
GG	M6 x 15 Screw	66 PCS	
HH	M10 Rounded nut	1 PCS	
II	M10 Flat washer	1 PCS	
Z2	M10 Wrench	1 PCS	

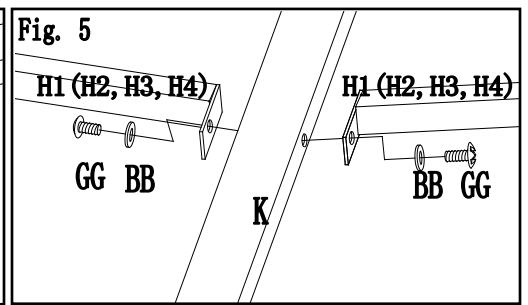
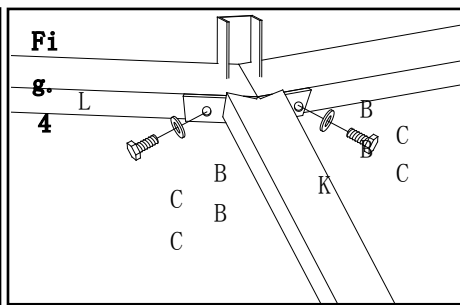
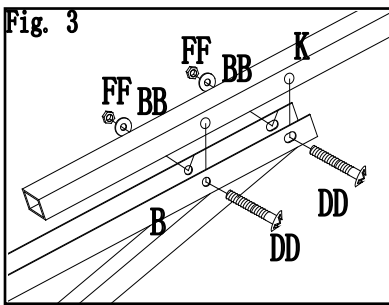
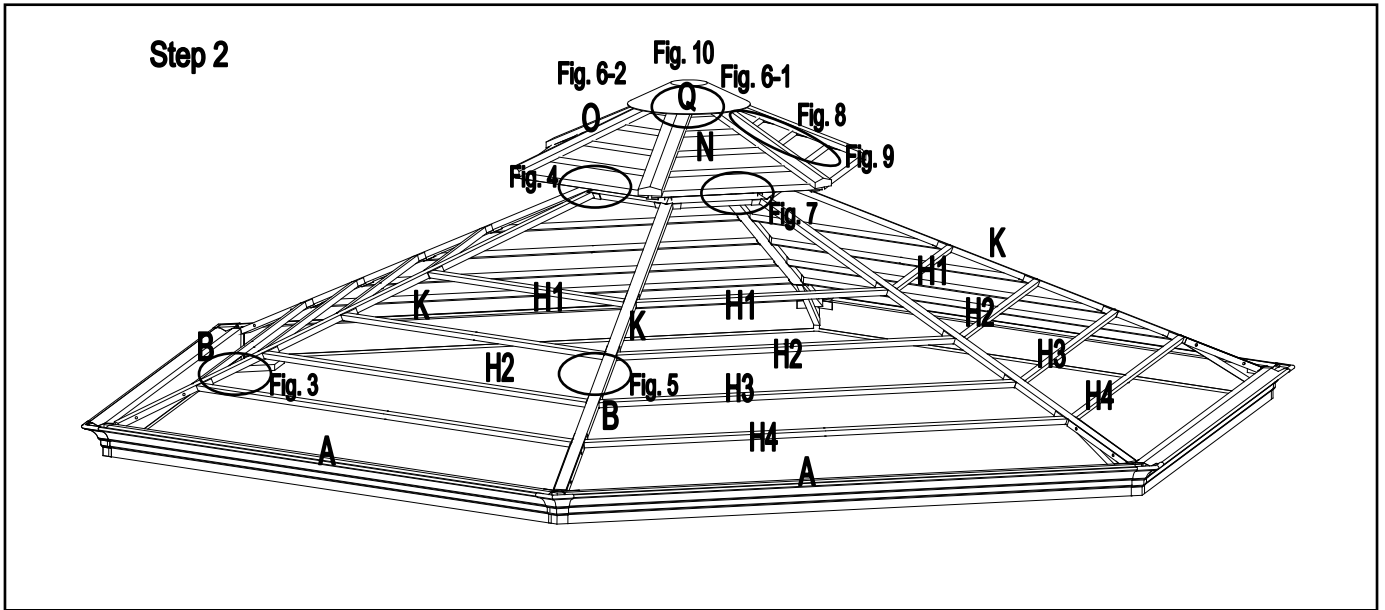


Fig. 3: Connect the bottom of the big roof beam (K) and the beam connector (B) using screw (DD), flat washer (BB) and nut (FF).

Fig. 4: Connect the top of the big roof beam (K) with roof connection (L) using bolt (CC) and flat washer (BB).

Fig. 5: Connect the small beam 1 (H1), small beam 2 (H2), small beam 3 (H3) and small beam 4 (H4) to the big roof beam (K) from top to bottom using screw (GG) and flat washer (BB).

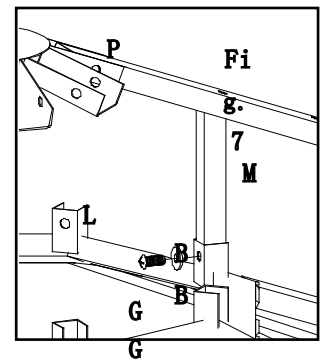
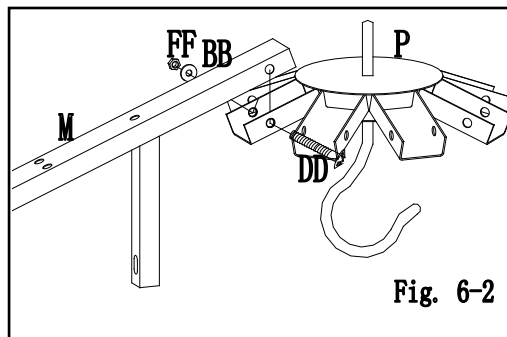
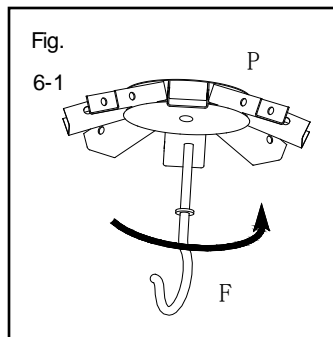


Fig. 6-1: Attach the centre hook (F) to the top connector for the second roof (P).

Fig. 6-2: Connect one end of the small roof bar (M) to the second roof top connector (P) using screw (DD) flat washer (BB) and nut (FF).

Fig. 7: Attach the other end of the small roof bar (M) to roof connection (L) using screw (GG) and flat washer (BB).

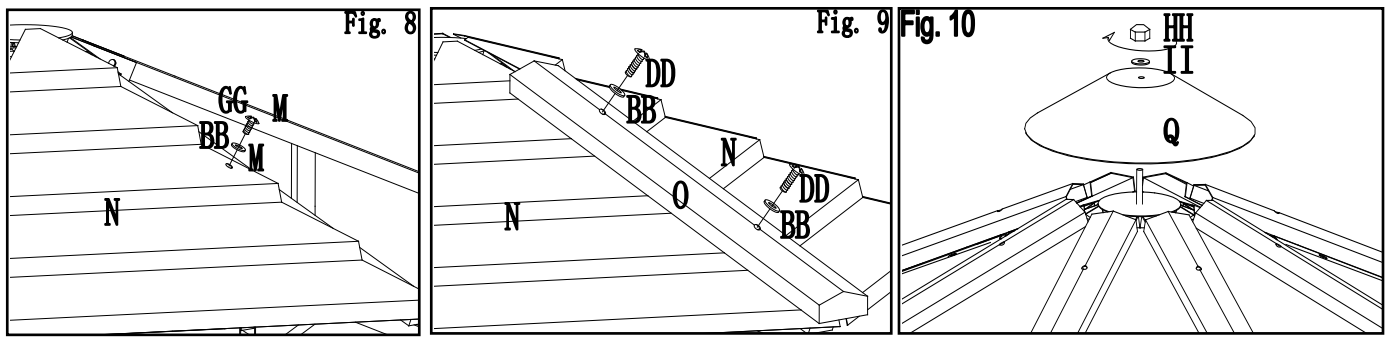

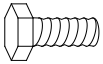
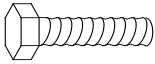


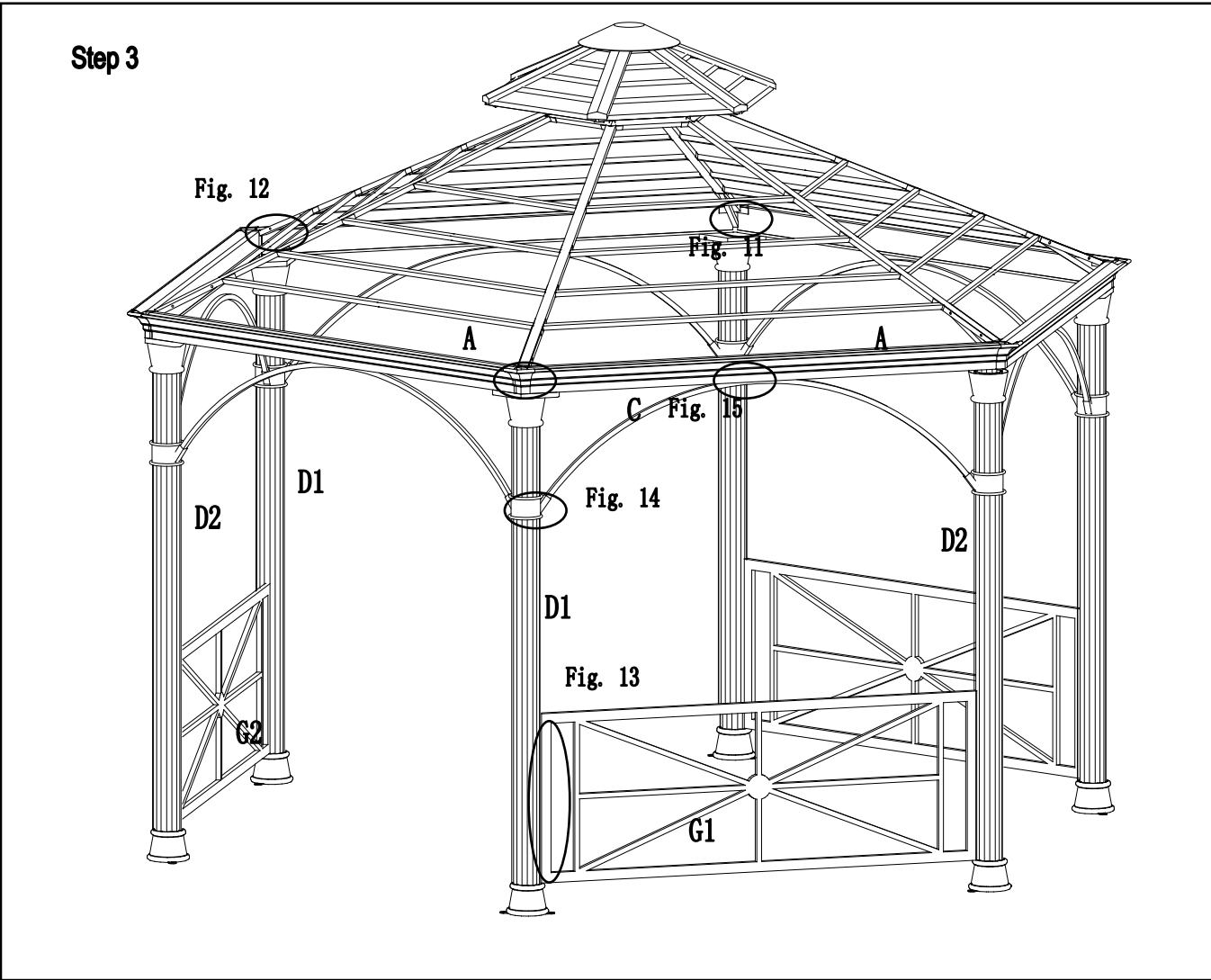
Fig. 8: Attach the small roof cladding (N) to the small roof bar (M) tighten with screw (GG) and flat washer (BB).

Fig. 9: Attach the small roof trim cap (O) to the small roof bar (M) tighten with screw (DD) and flat washer (BB).

Fig.10: Attach the second roof cover (Q) to the small roof using rounded nut (HH) and flat washer (II). Tighten the nut using the M10 wrench (Z2).

Hardware Pack 3

BB	M6 Flat washer	78 PCS	
CC	M6*20 Bolt	66 PCS	
KK	M6*45 Bolt	12 PCS	



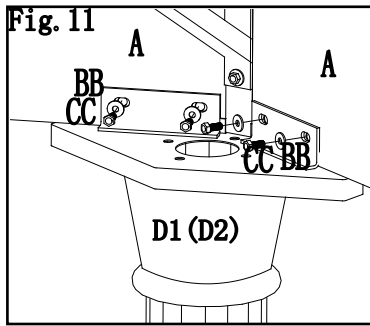


Fig.11: Attach the post 1 (D1) and post2 (D2) to the gutter (A) using bolt (CC) and flat washer (BB).

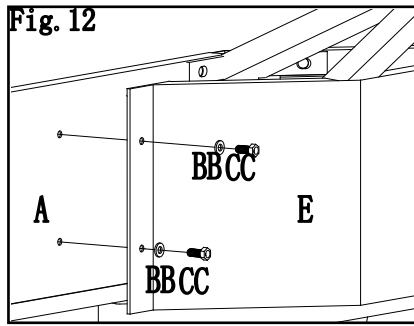


Fig.12: Attach the baffle (E) to the gutter (A) using bolt (CC) and flat washer (BB). This step requires 4 people.

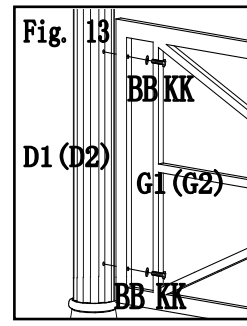


Fig.13: Attach the screens (G1, G2) between post (D1) and post (D2), tighten with bolt (KK) and flat washer (BB).

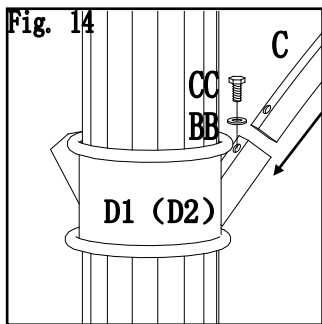


Fig. 14: Insert the opposite ends of the arc support tube (C) into the respective posts (D1, D2) and secure the arc support tube with bolt (CC) and flat washer (BB).

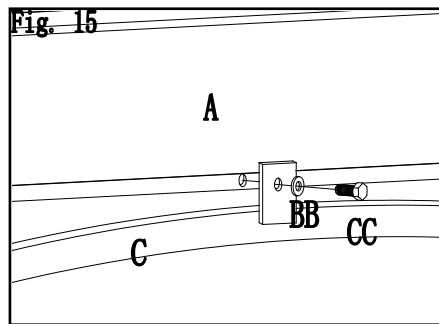
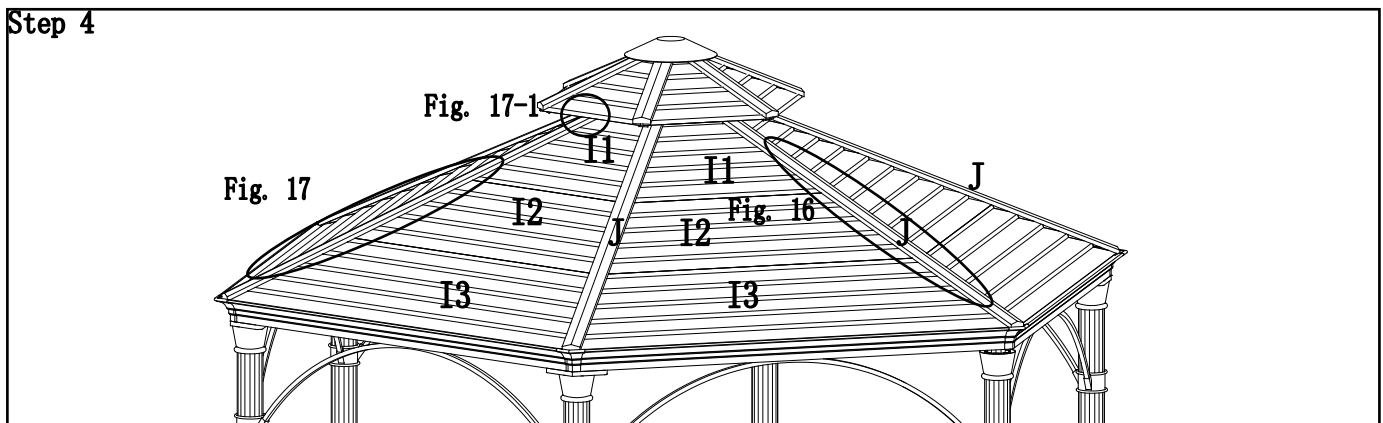


Fig. 15: Attach the arc support tube (C) to the gutter (A) using bolt (CC) and flat washer (BB).

Hardware Pack 4

BB	M6 Flat washer	48 PCS	
DD	M6*55 Screw	12 PCS	
GG	M6*15 Screw	36 PCS	

Step 4



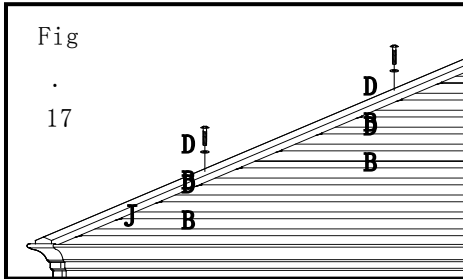
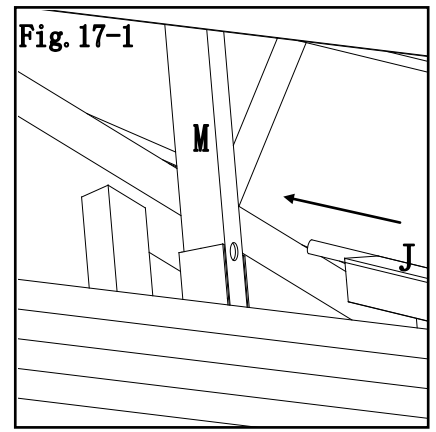
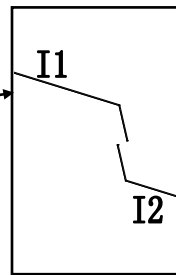
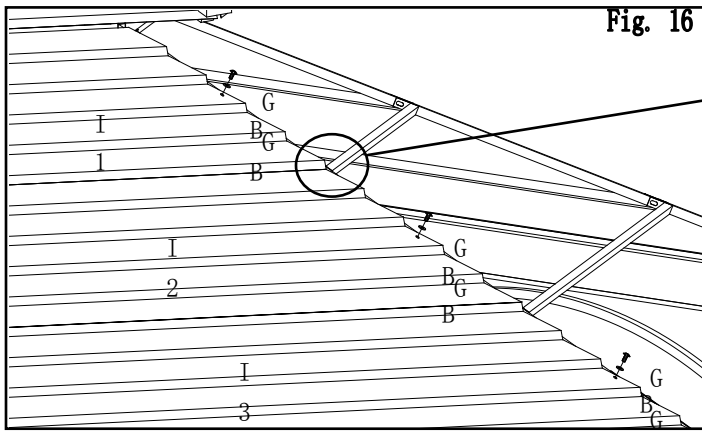

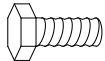
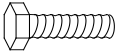
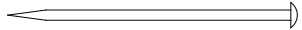


Fig.16: Place the big roof cladding (I1, I2, I3) over the big roof structure and tighten the claddings to the big roof beam (K) using screw (GG) and flat washer (BB).

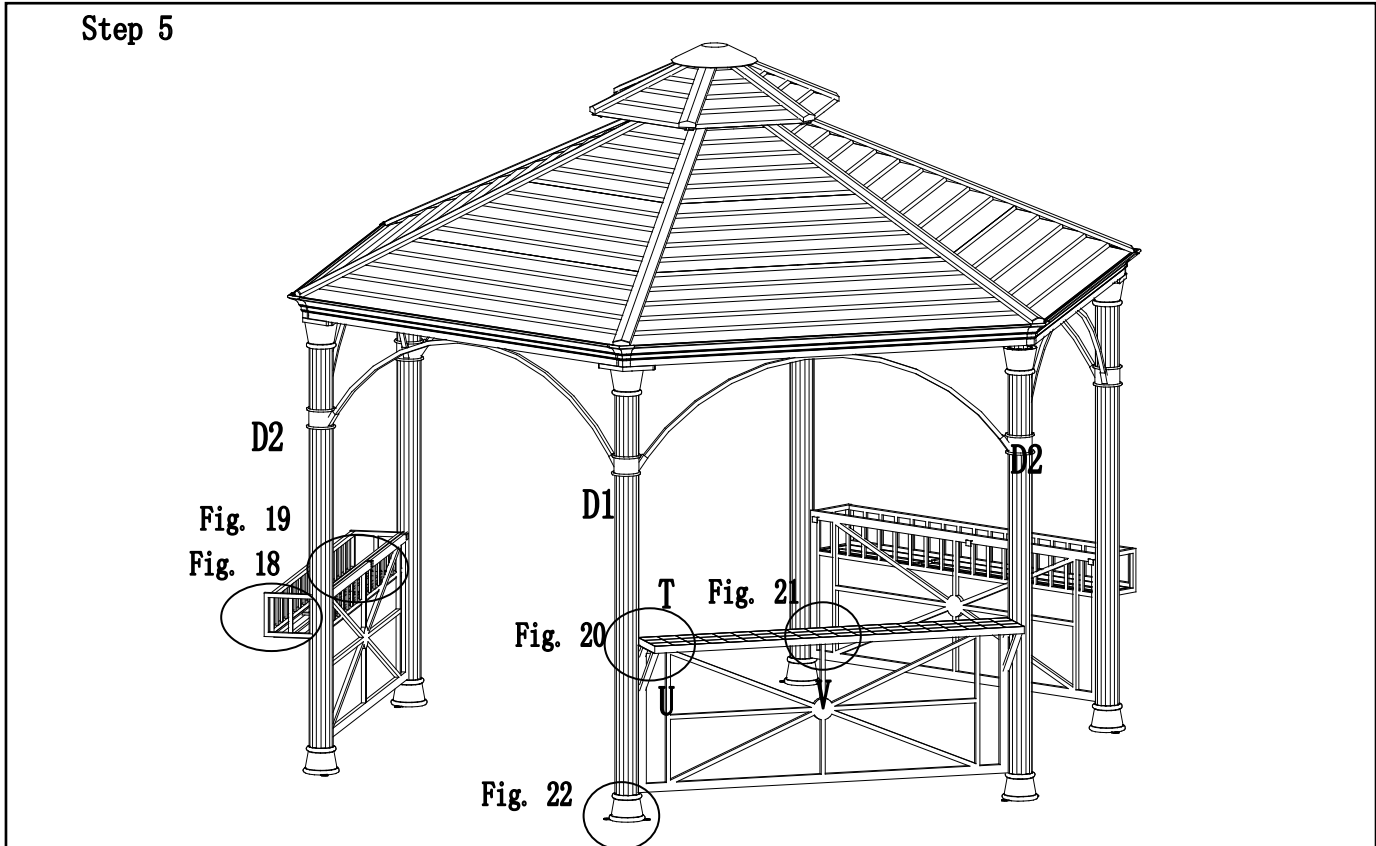
Fig.17: Attach the big roof trim cap (J) to the big roof beam (K) using screw (DD) and flat washer (BB).

Fig.17-1: Insert the positioning pin of big roof trim cap (J) to small roof bar (M)

Hardware Pack 5

BB	M6 Flat washer	36 PCS	
EE	M6*15Bolt	12 PCS	
NN	M6*25 Bolt	24 PCS	
MM	Φ8*180 Lawn stake	12 PCS	

Step 5



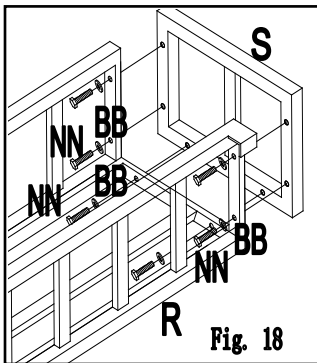


Fig. 18: Attach the basket side frames (S) to flower basket (R) and tighten with bolt (NN) and flat washer (BB).

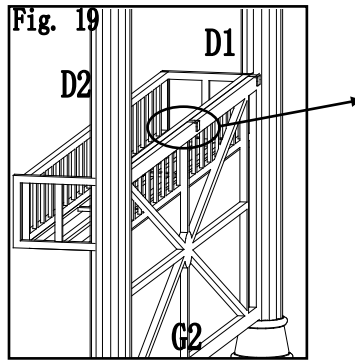


Fig. 19: Attach the assembled flower basket to screen 2 (G2).

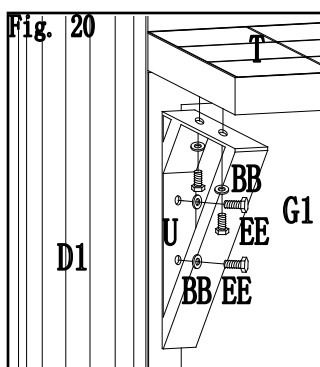
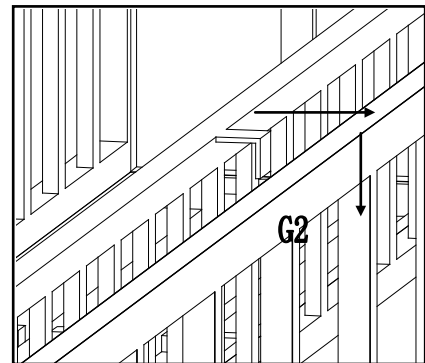


Fig. 20: Connect slate top support (U) post (D1) and slate top (T) using bolt (EE) and flat washer (BB).

Fig. 21: Connect the right-angle support (V) to screen 1 (G1) and slate top (T) using bolt (EE) and flat washer (BB).

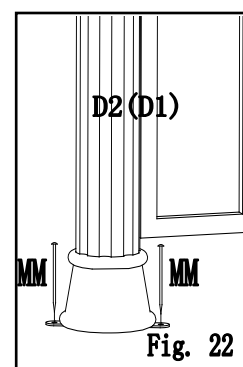


Fig. 22: Fix the assembled gazebo to the ground firmly using lawn stakes (MM).

IMPORTANT:

1. Keep all children and pets away from assembly area. Children and pets should be supervised when they are in the area of gazebo construction.
2. The area for assembly should not be less than 6 feet from any obstruction such as fence, garage, house, overhanging branches, laundry line or electrical wires.
3. This unit is heavy. Do not assemble this item alone. Six people are recommended for safe assembly.
4. Some parts may contain sharp edges. Wear protective gloves if necessary during assembly.
5. When assembling and using this product, basic safety precautions should always be followed to reduce the risk of personal injury and damage to equipment. Please read all instructions before assembly and use.
6. For outdoor use only. Install on level ground. Stakes are provided to secure the gazebo in grass ground. If you wish to secure the gazebo to a wood deck or concrete surface, you will need to purchase fasteners appropriate for these surfaces. These are readily available at your local hardware store or home center.
7. Check all bolts for tightness before and during usage.
8. Please check your state and local regulations prior to purchasing. Some jurisdictions may require permits for, or otherwise regulate, installation and use.
9. While this gazebo is manufactured to withstand gale force winds utilizing only the supplied

ground stakes, in areas subject to frequent severe weather, securing the gazebo to a deck, concrete patio or footings should be considered.

10. Your gazebo has been engineered to accommodate winter snow loads incurred in most areas. Removal of accumulated snow on the gazebo roof with a roof rake is recommended. In areas that are regularly subject to blizzard conditions however, removal of the roof panel is suggested. The assembled roof structure can simply be left intact until warmer conditions return.

Limited Warranty:

This limited warranty is extended to the original purchaser and applies to defects in materials and workmanship of your item provided the item is maintained with care and used only for personal, residential purposes.

The item is warranted to be free from defects in material or workmanship for a period of **one (1) year**. We don't reimburse for transportation or delivery costs, or compensate the individual or any outside party for assembling or disassembling the product.

Exclusions:

Items used for commercial, contract, or other non-residential purposes, or items damaged due to acts of nature, vandalism, misuse, or improper assembly are not covered. Corrosion or rusting of hardware is not covered. Proof of purchase (dated register receipt) is required for warranty claims. Warranty is to the original purchaser and is non-transferable. Any replacement of warranted items will be in the original style and color, or a similar style and color if the original is unavailable or has been discontinued. As some states do not allow exclusions or limitations on an implied warranty, the above exclusions and limitations may not apply. This warranty gives you specific rights, and you may also have other rights, which vary from state to state.

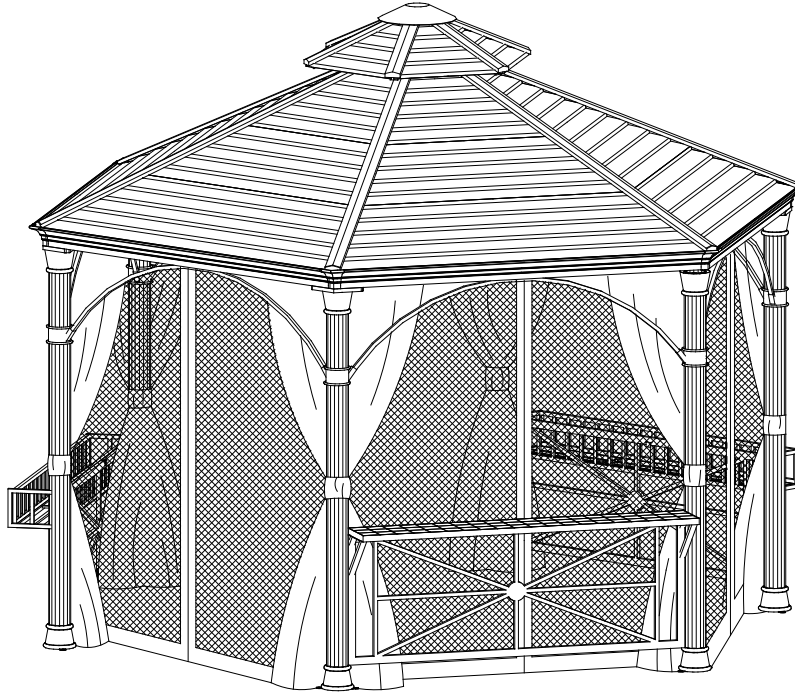
Maintenance:

Our iron/steel components for garden accessories and patio items are coated with rust inhibiting paint that protects it from rusting. However, due to the nature of iron, surface oxidation (rusting) will occur once these protective coatings are scratched. This is a natural process and is not a defect! To minimize this condition, we recommend care when assembling & handling the product to prevent scratching the paint. Should any scratching or damage occur, we recommend immediate touch-up with rust inhibiting paint. Surface rust can also be easily removed with a very light application of common cooking oil. If surface oxidation (rusting) occurs and if no measure is taken to prevent this, the oxidation may start dripping on to deck or patio and cause damaging stains, which may be difficult to remove. This can be prevented if measure is taken to keep the product from oxidizing.


Important: Please do not return this product to the store. For technical assistance on assembly or replacement parts. Please call Sunjoy Industries at 1-866-578-6569 from 8:00 am EST to 8:00 pm PST or fax the replacement part form which is in the box to 1-740-283-3549 or Email customer.care@sunjoygroup.com for assistance.

GAZEBO NETTING AND CURTAIN ASSEMBLY INSTRUCTIONS

Netting / Curatin is available separately



Hardware Pack

LL	Hook	96 pcs	
----	------	--------	---

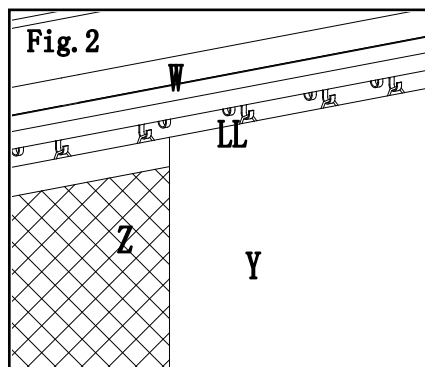
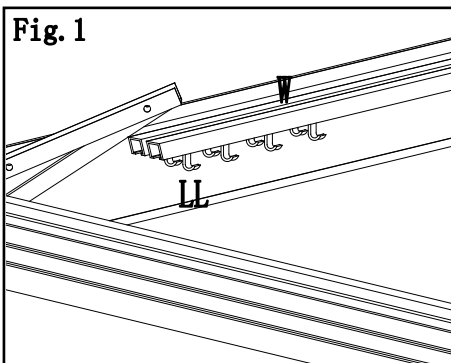


Fig. 1: Take off one end plug of curtain tube (W), insert hook (LL) into sliding chute, then cover sliding chute.

Fig. 2: Attach curtain(Y) and Mosquito netting (Z) to curtain tube (W) with hook (LL).