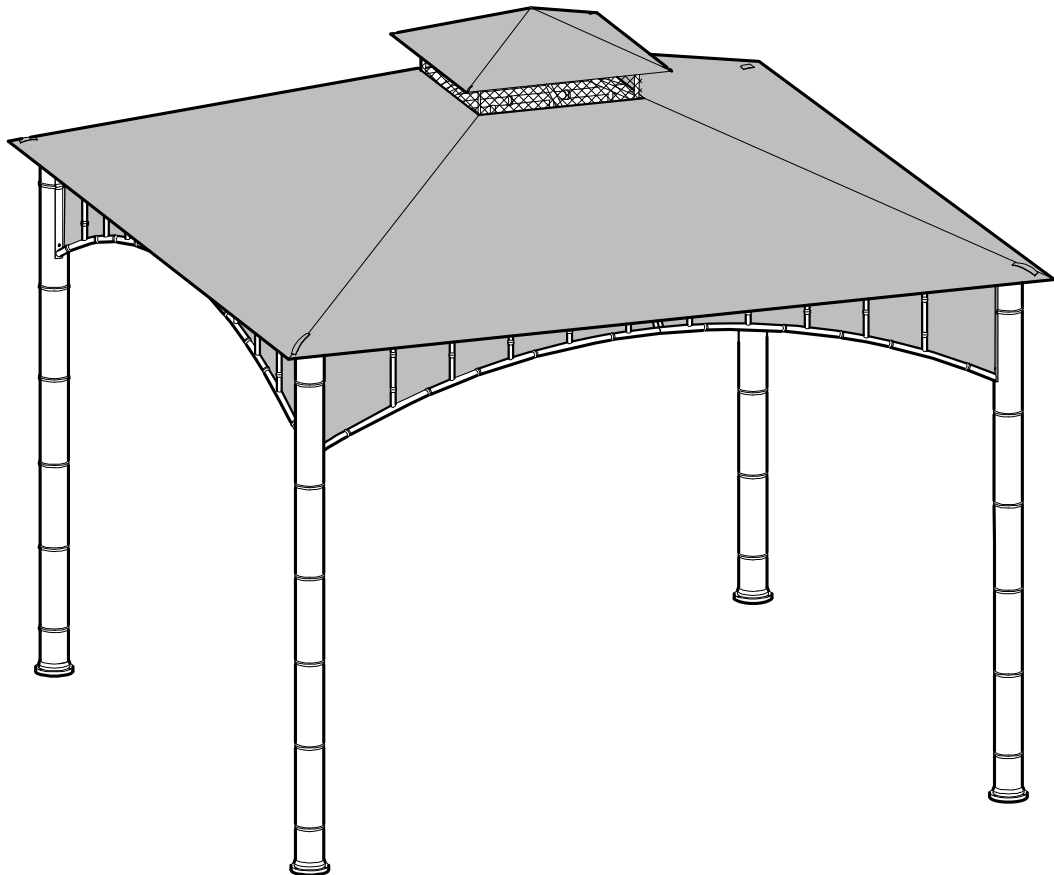


ASSEMBLY INSTRUCTION
ITEM#: D-GZ136PST-N



For any questions or issues about our product

Call Sunjoy Customer Service

1(866) 578-6569

8:00 AM EST – 8:00 PM PST

Country of Origin: CHINA

Safety Information

- Two people are required for this assembly.
- Some parts may contain sharp edges. Wear protective gloves.
- When assembling and using this product, basic safety precautions should always be followed to reduce the risk of personal injury and damage to equipment. Please read all instructions before assembly and usage.



CAUTION: Do not climb on top of the gazebo. Falling off the gazebo can result in serious injury.

NOTICE: For outdoor use



DANGER: This unit is heavy! Do not assemble this item alone.



WARNING: Do not leave the gazebo where there is a risk of high wind, as possible damage will occur to the structure.



WARNING: Keep all flame and heat sources away from this gazebo fabric. This Gazebo is made with fabric that meets CPAI-84 specifications for flame resistance. It is not fire proof. The fabric will burn if left in continuous contact with any flame source. The application of any foreign substance to the gazebo fabric may render the flame-resistant properties ineffective.

Warranty: 1 Year

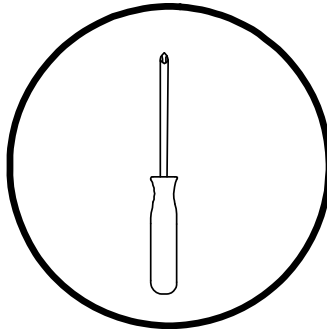
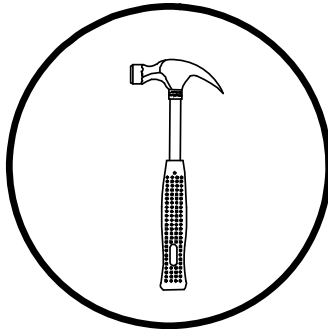
WHAT IS COVER?

The limited warranty is extended to the original purchaser and applies to material and manufacturer's defect provided the item is maintained with care and used only for personal, residential purposes.

IMPORTANT

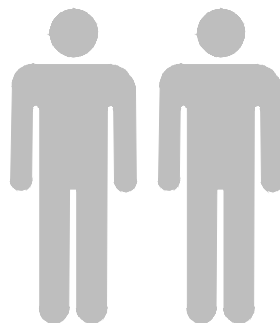
KEEP THIS INSTRUCTION MANUAL FOR FUTURE REFERENCE.

TOOLS NEEDED

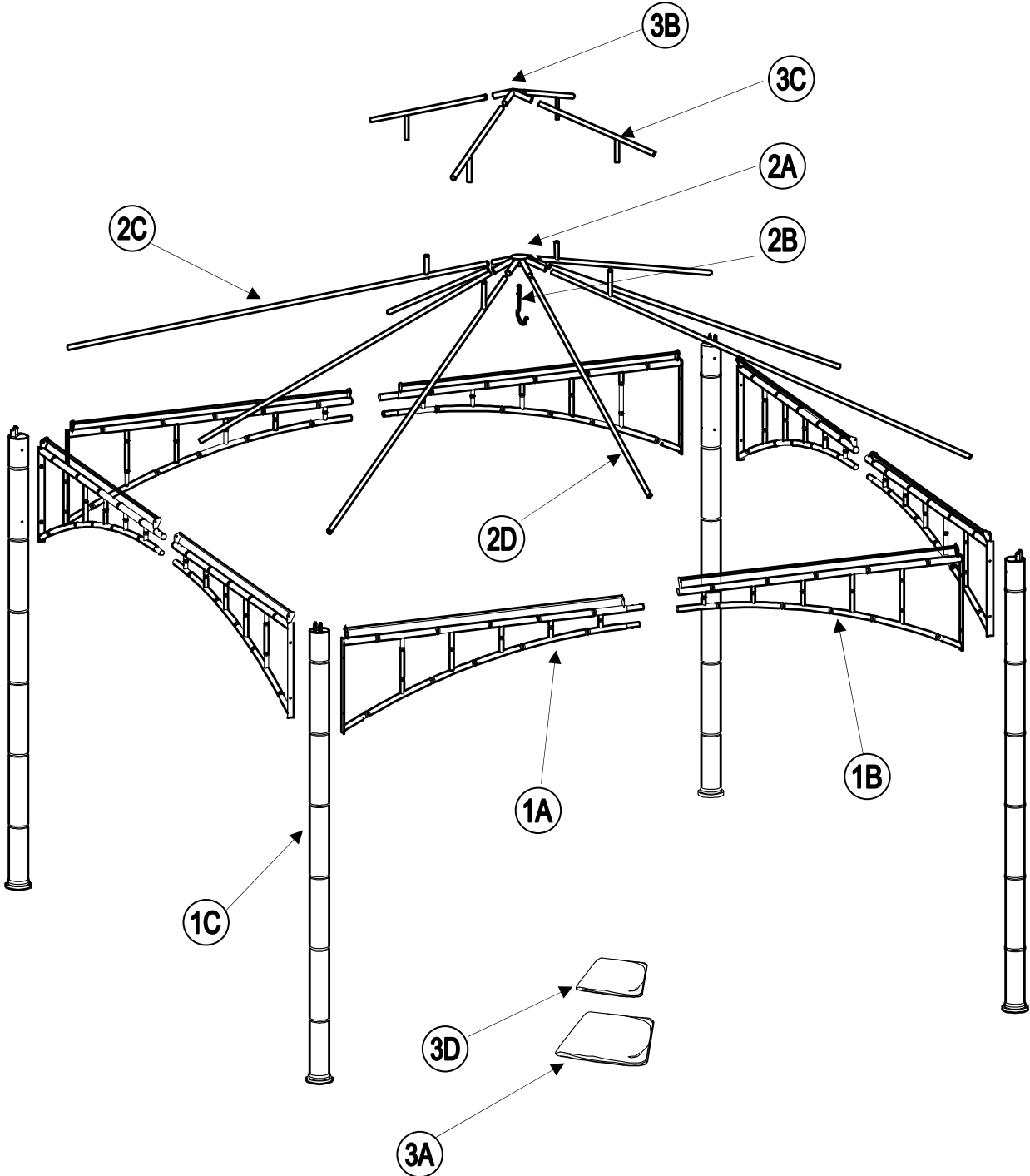


IMPORTANT

How many people needed for the installation work



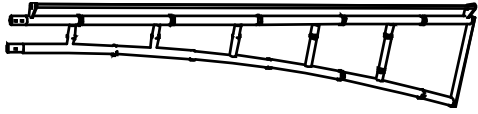
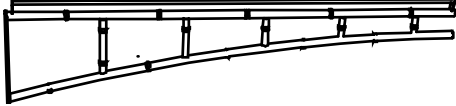
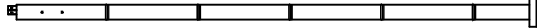
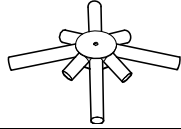
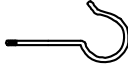
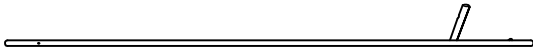
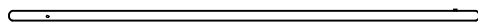

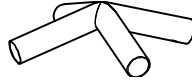
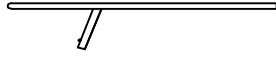

EXPLODED DRAWING



Country of Origin: CHINA

Call 1(866) 578-6569 for assistance.
Or visit us at www.sunjoyonline.com

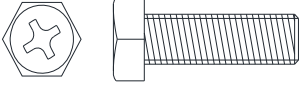

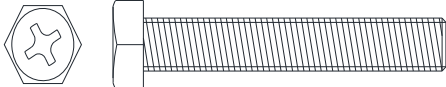


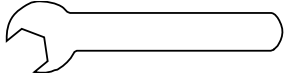
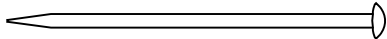
Part List

Label	Part Number	DESCRIPTION	QTY	Part Image
1A	GZ0136XXN01	Left Frame	4	
1B	GZ0136XXN02	Right Frame	4	
1C	GZ0136XXN03	Post	4	
2A	GZ0136XXN04	Big Top Connector	1	
2B	GZ0136XXN05	Hook	1	
2C	GZ0136XXN06	Slant Beam For Big Roof	4	
2D	GZ0136XXN07	Middle Beam For Big Roof	4	
3A	GZ0136XXN08	Large Canopy	1	
3B	GZ0136XXN09	Small Top Connector	1	
3C	GZ0136XXN10	Slant Beam For Small Roof	4	
3D	GZ0136XXN11	Small Canopy	1	

Country of Origin: CHINA

Call 1(866) 578-6569 for assistance.
Or visit us at www.sunjoyonline.com

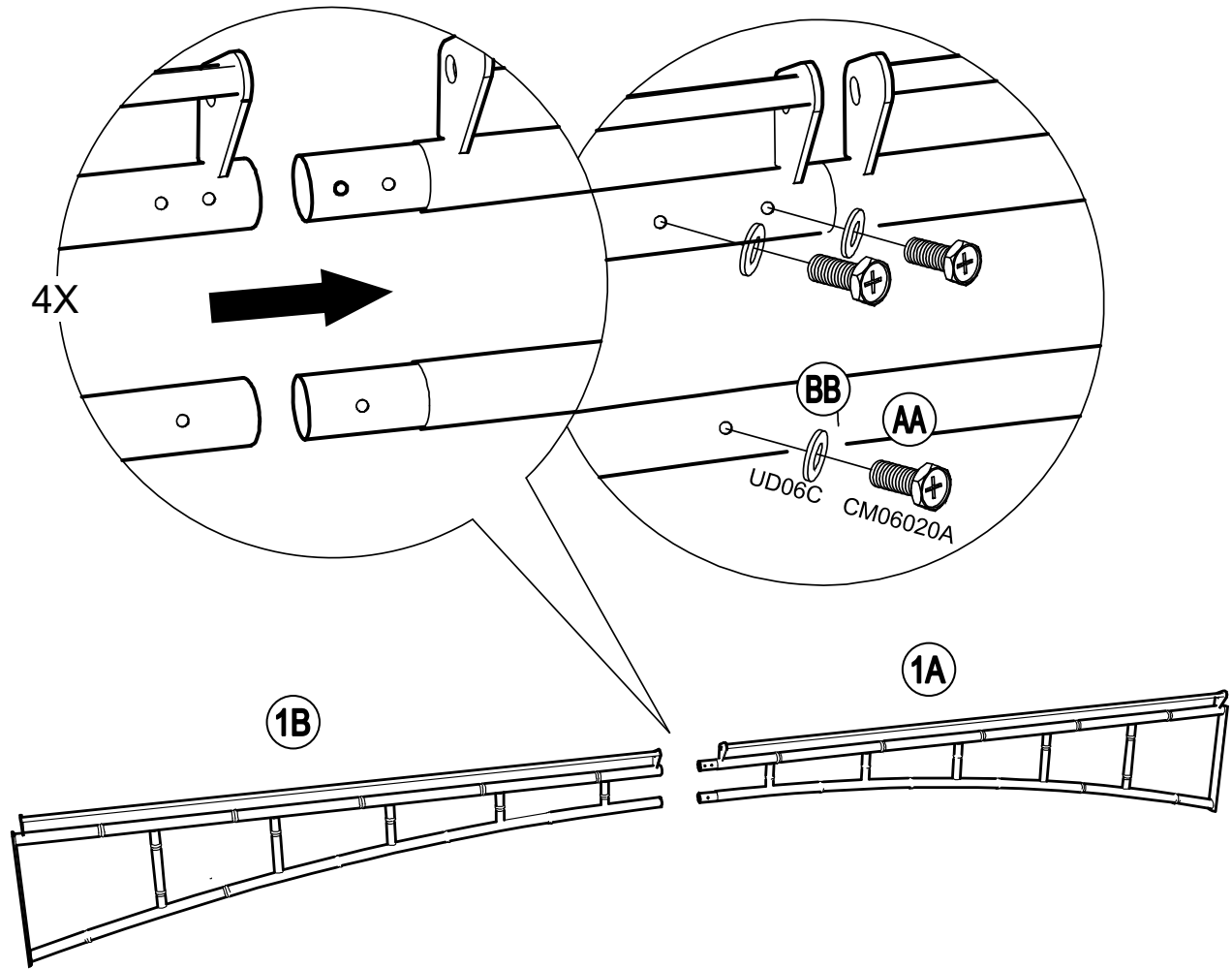
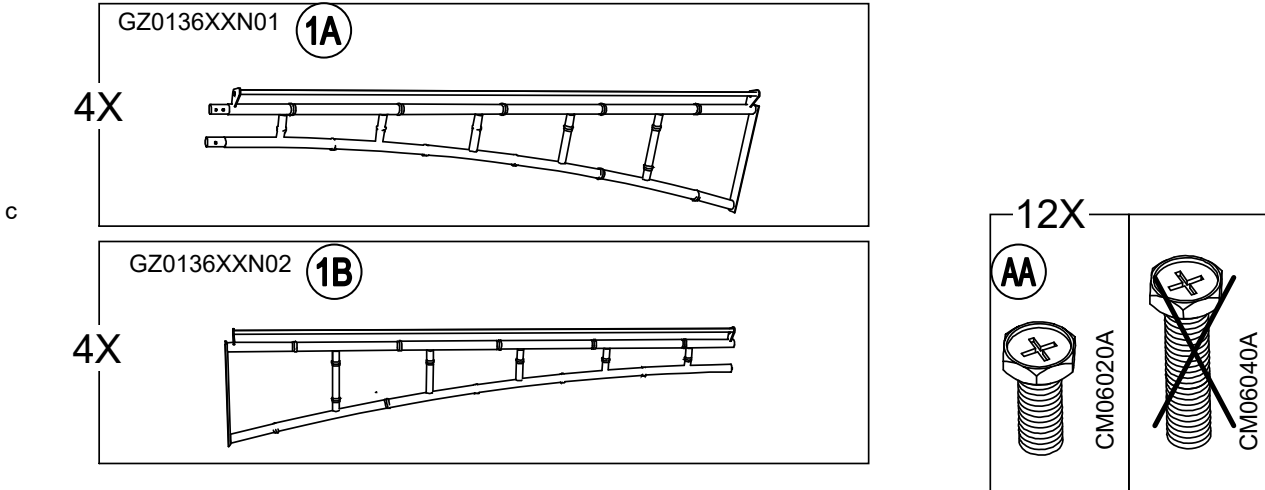
Hardware Pack

Label	Part Number	DESCRIPTION	QTY	Part Image
AA	CM06020A	Bolt M6*20	28	 <p>Actual Size</p>
BB	UD06C	Flat Washer M6	36	 <p>Actual Size</p>
CC	CM06040A	Bolt M6 *40	8	 <p>Actual Size</p>
DD	LM06C	Nut M6	8	 <p>Actual Size</p>
EE	GM061W	Plastic Cap M6	16	 <p>Actual Size</p>
WW	W10D	Wrench M6	2	
GG	DD08180C	Stake Dia. 8*180	12	

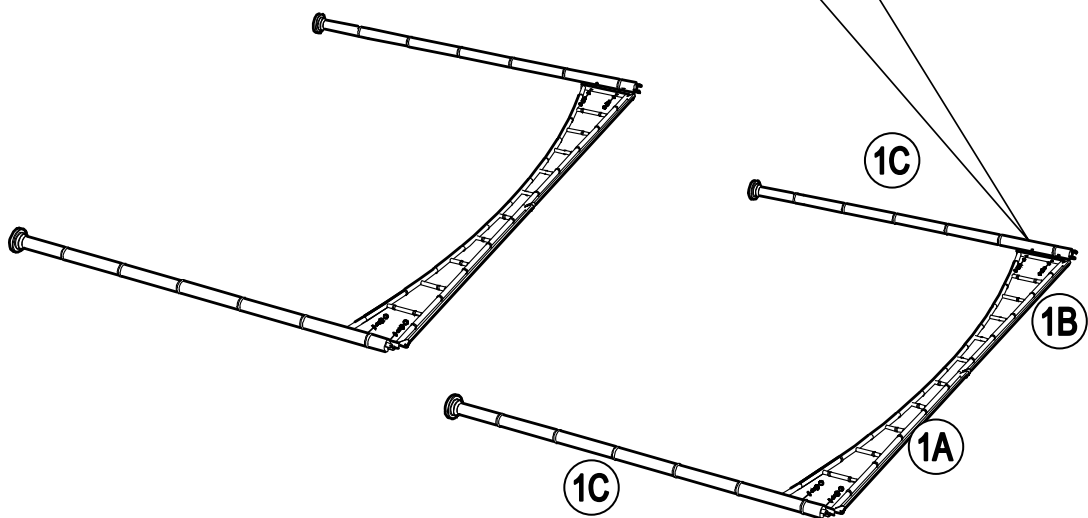
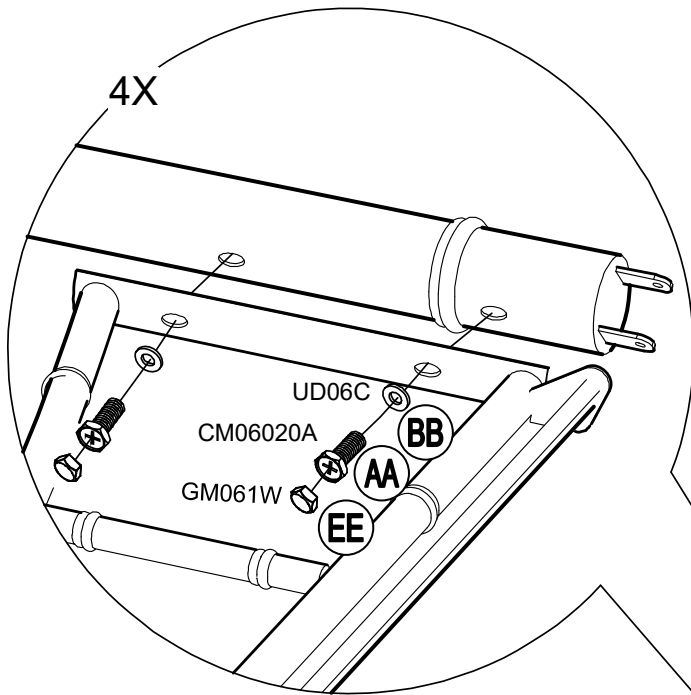
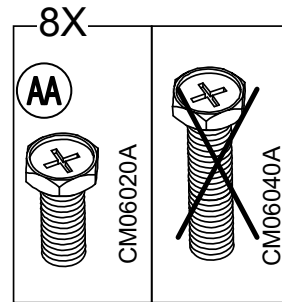
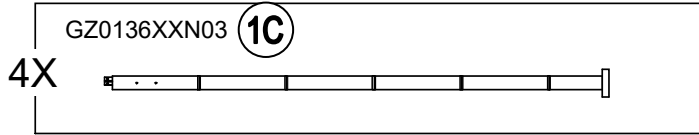
Country of Origin: CHINA

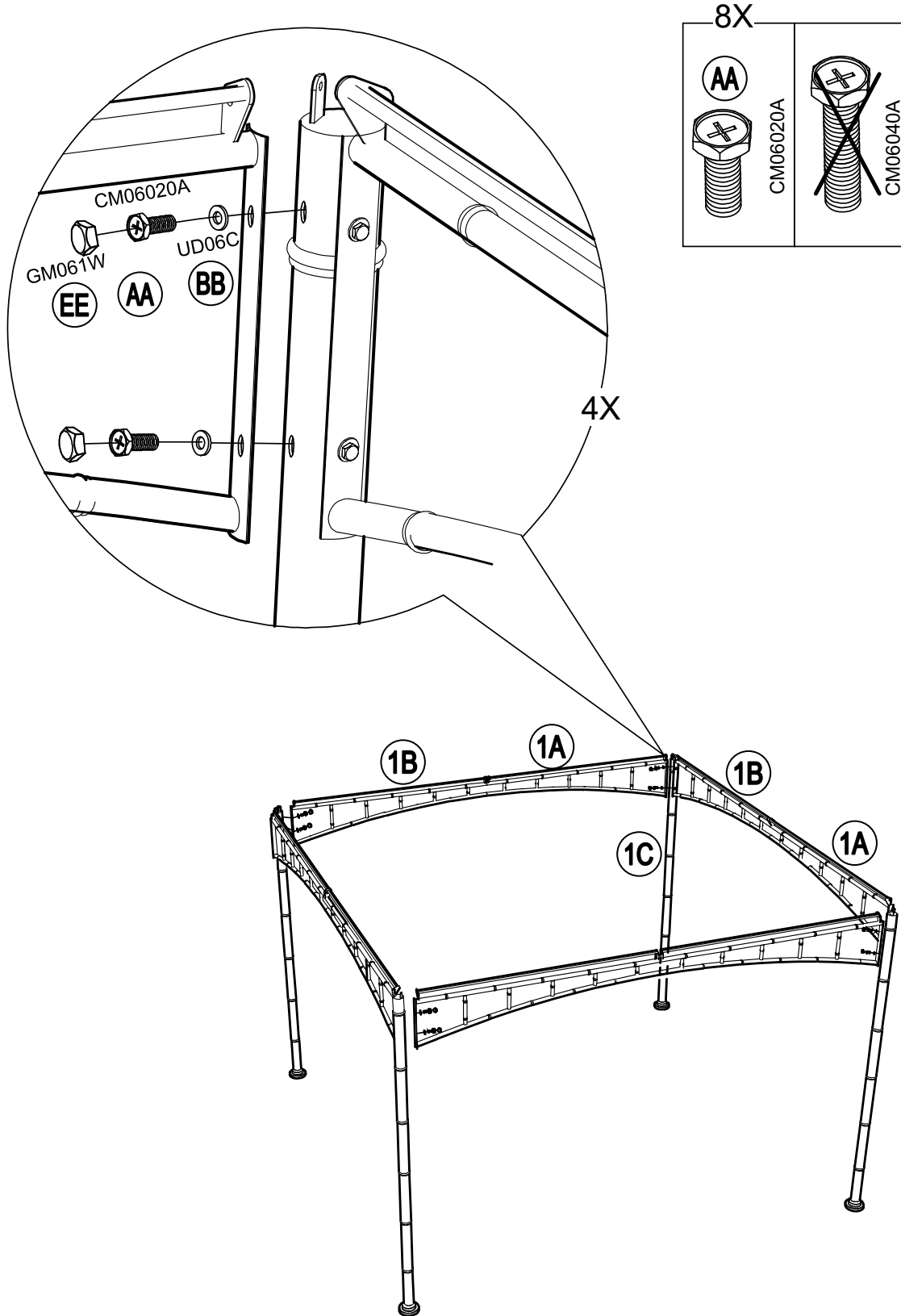
Call 1(866) 578-6569 for assistance.
Or visit us at www.sunjoyonline.com

STEP 1: Assembly of Frame



STEP 2: Assembly of Post

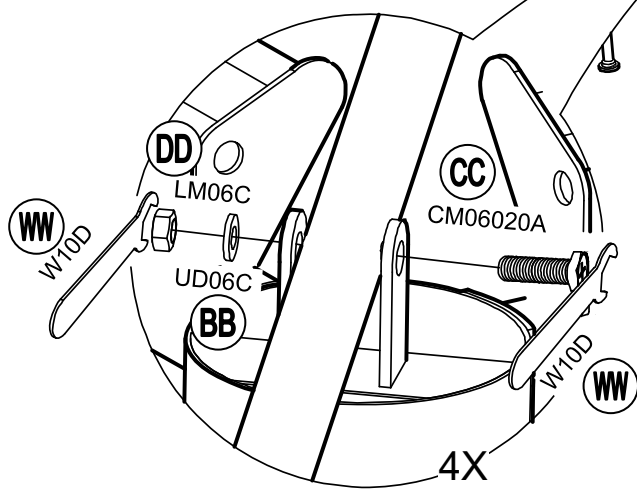
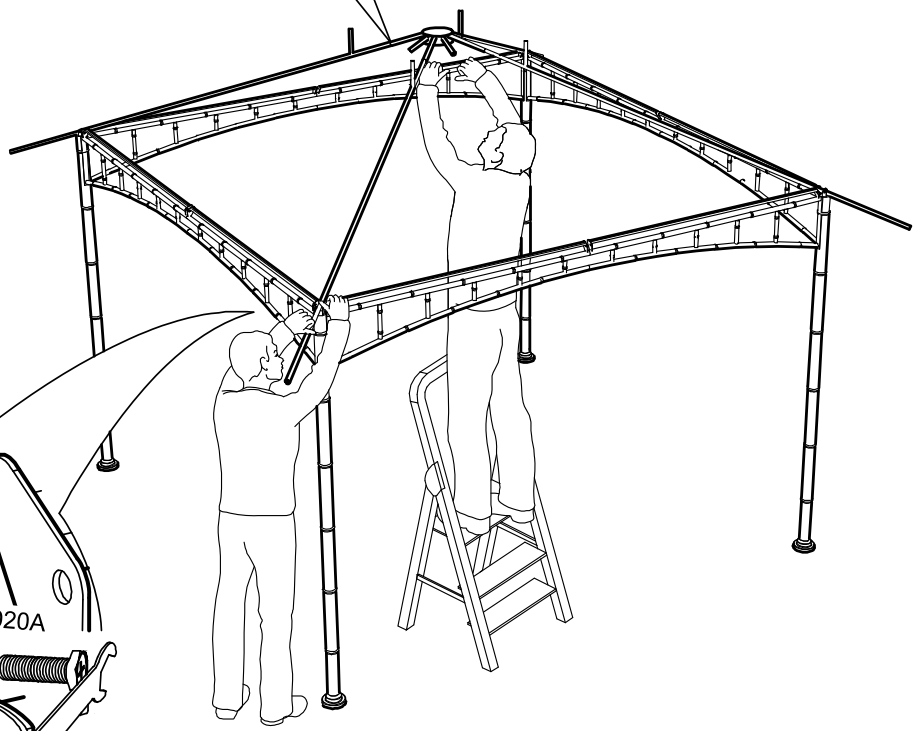
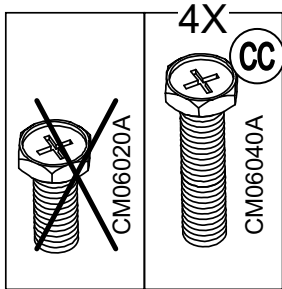
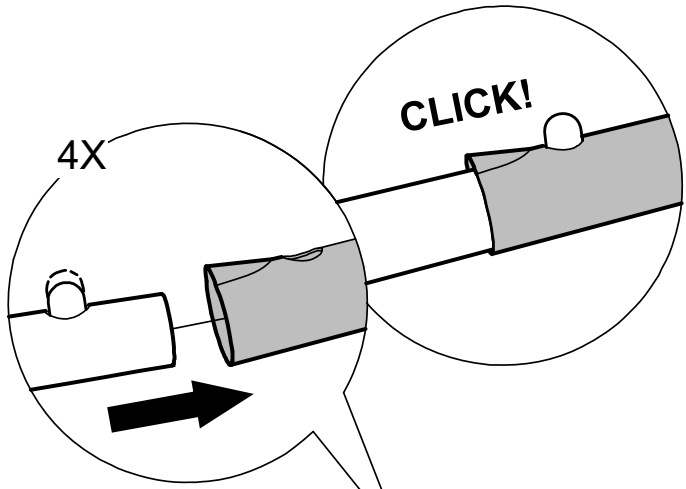
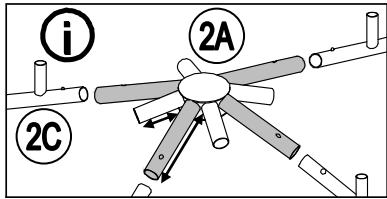
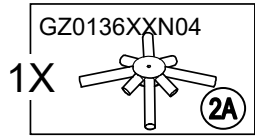
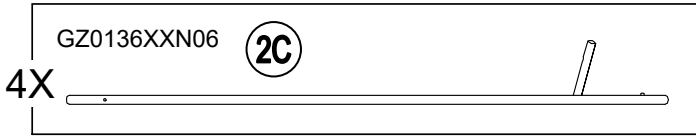




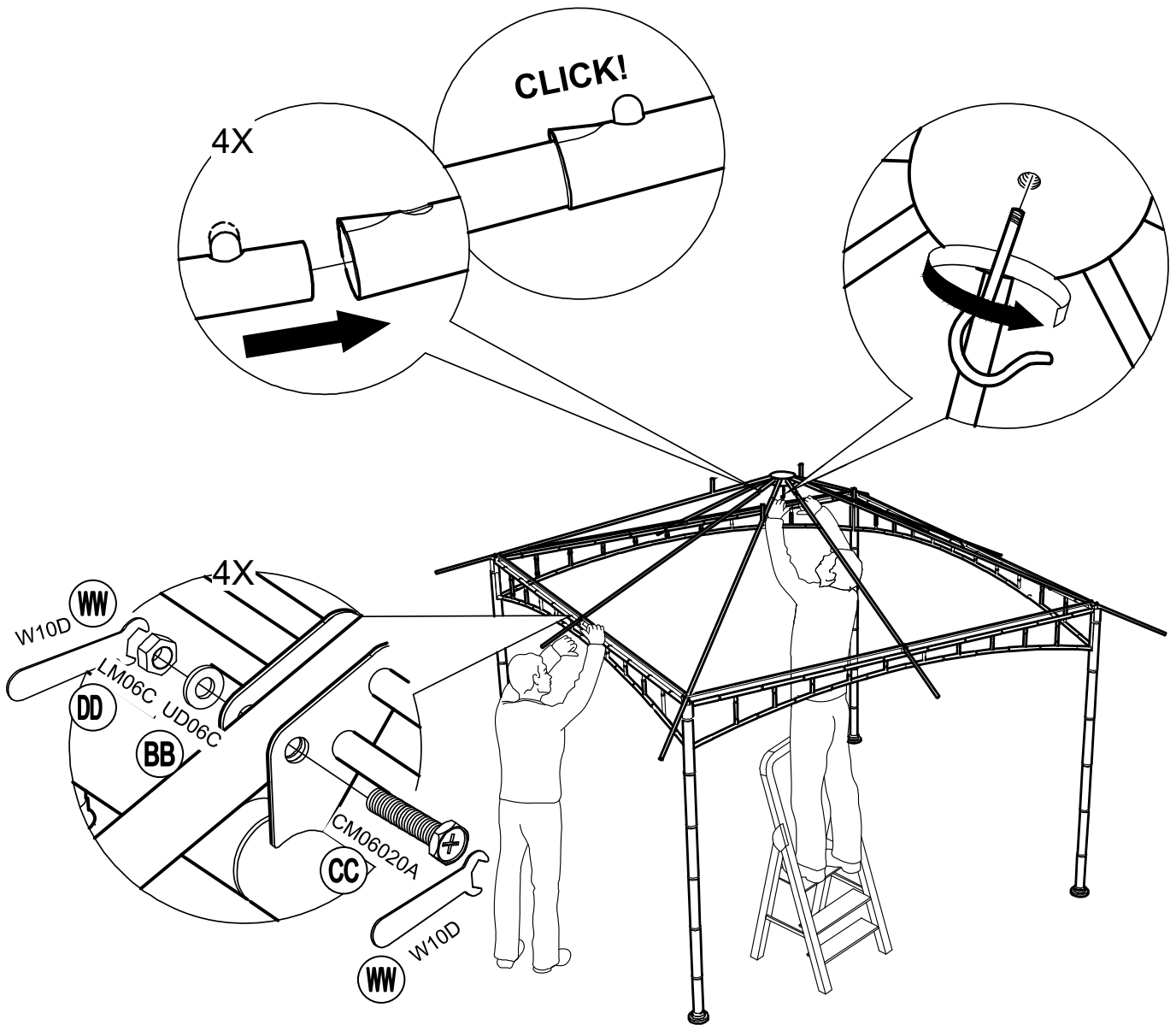
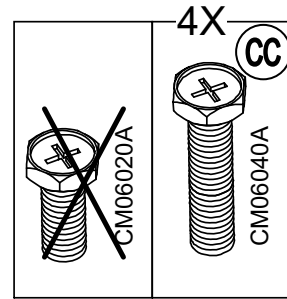
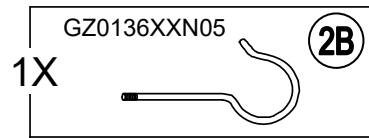
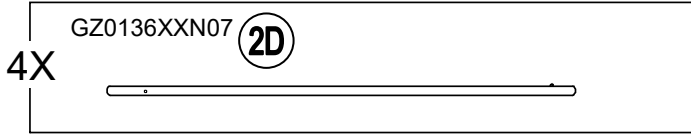
Country of Origin: CHINA

Call 1(866) 578-6569 for assistance.
Or visit us at www.sunjoyonline.com

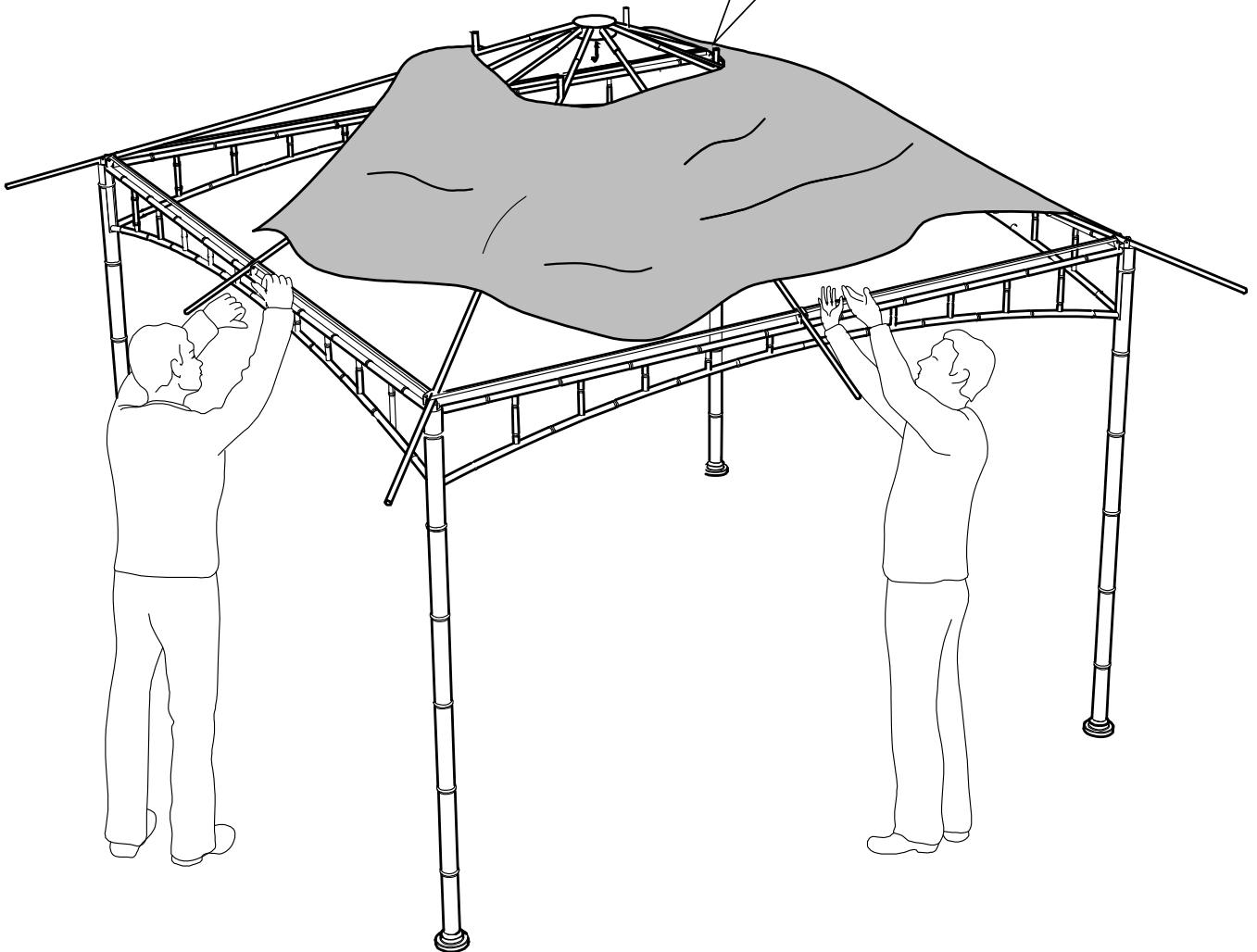
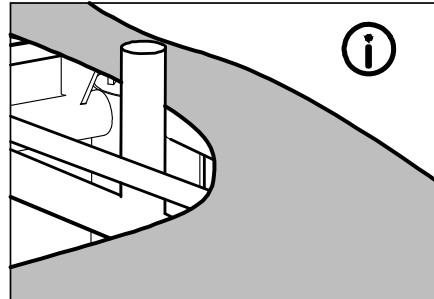
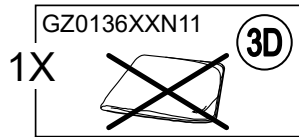
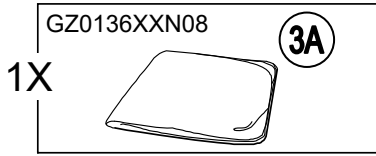
STEP 3: Assembly of Slant Beam For Big Roof



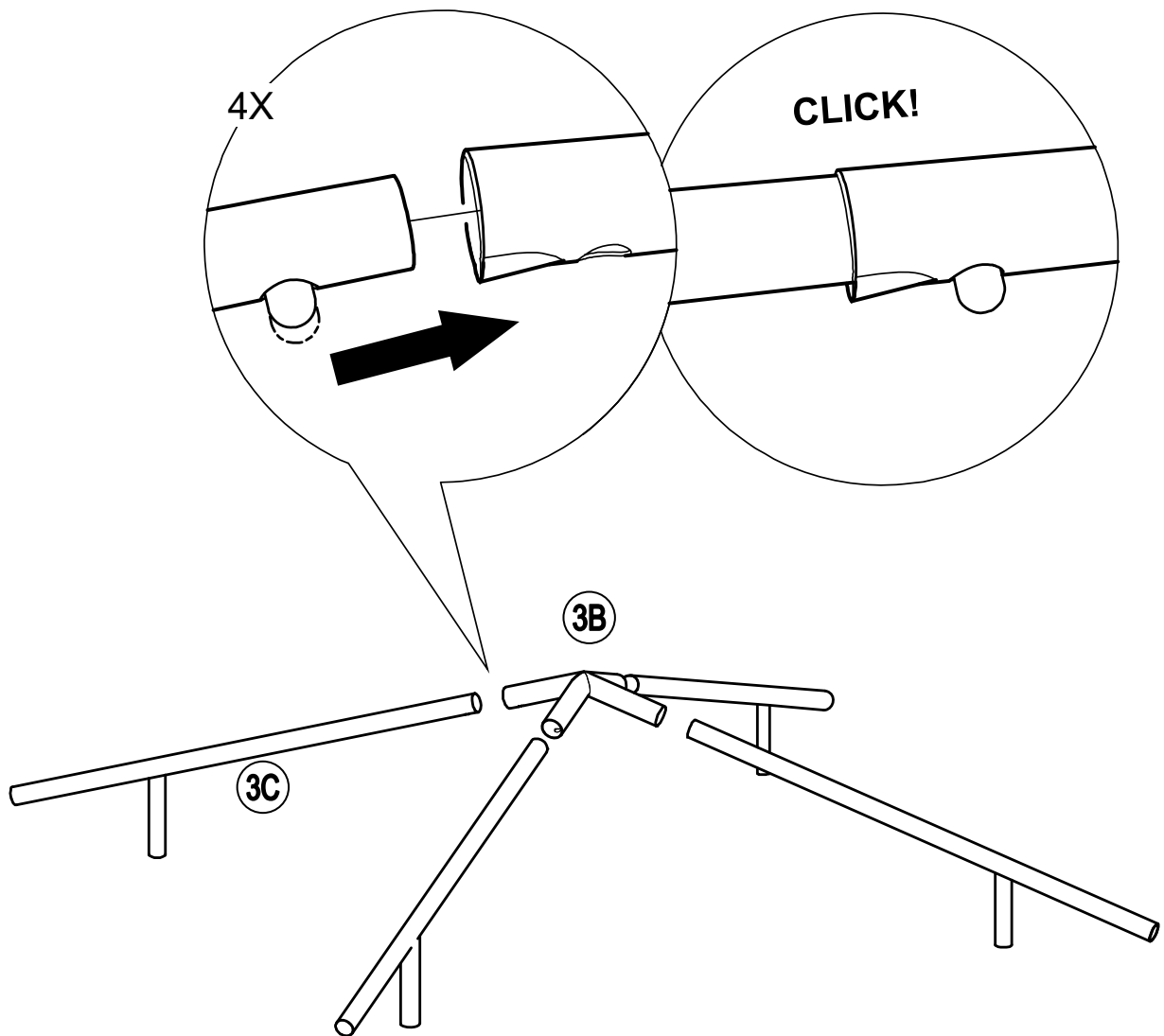
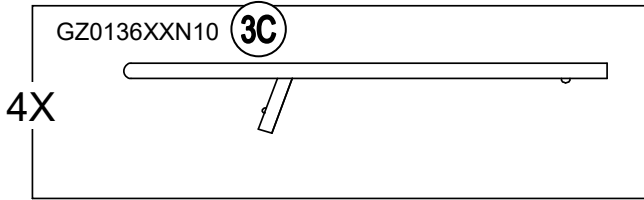
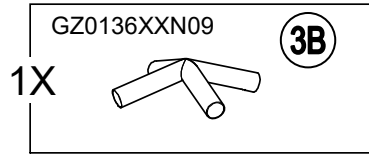
STEP 4: Assembly of Middle Beam and Hook



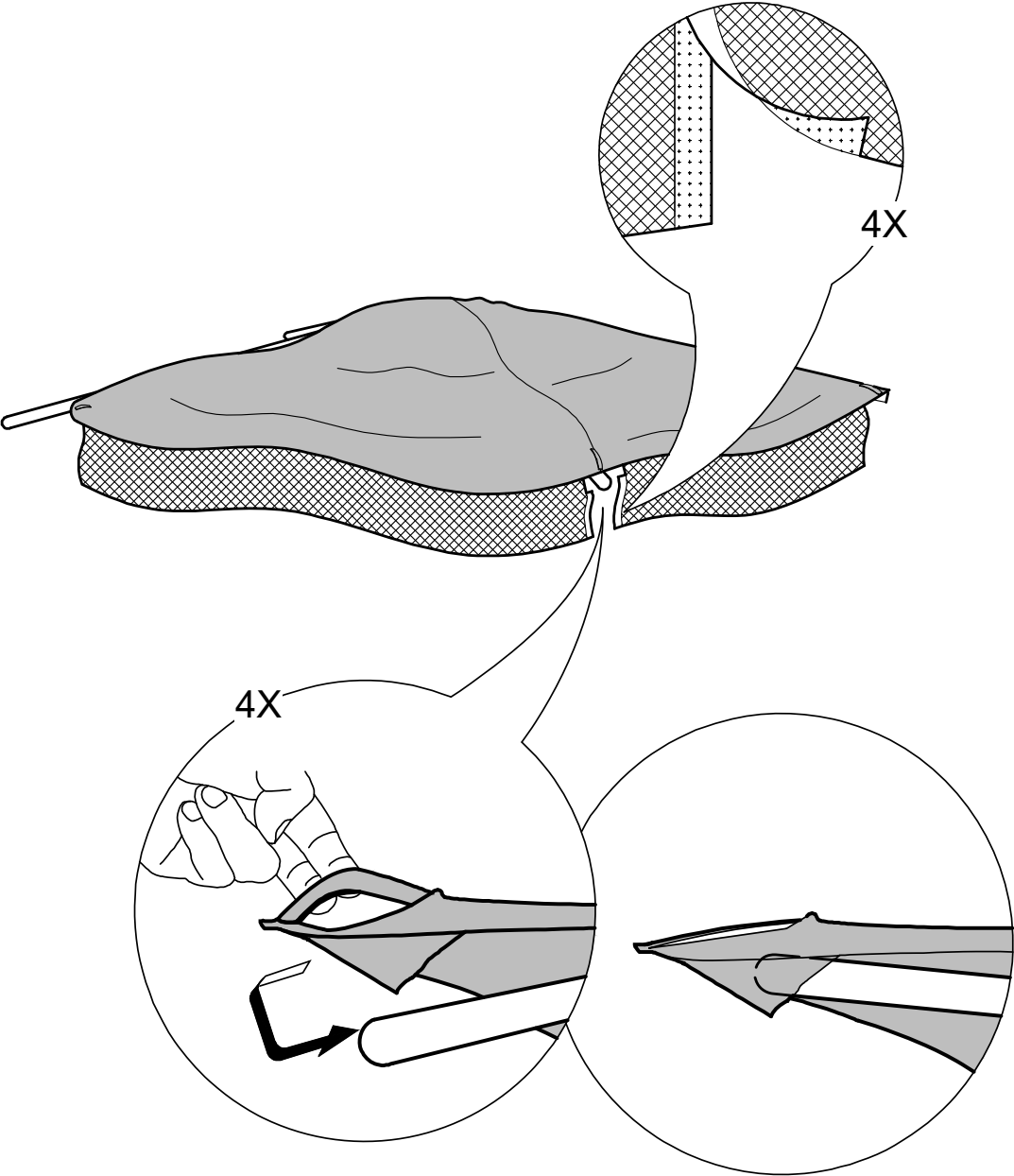
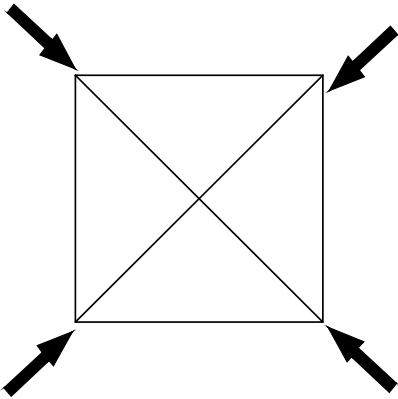
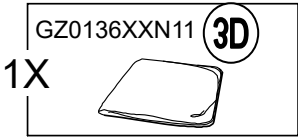
STEP 5: Put Large Canopy On Big Roof



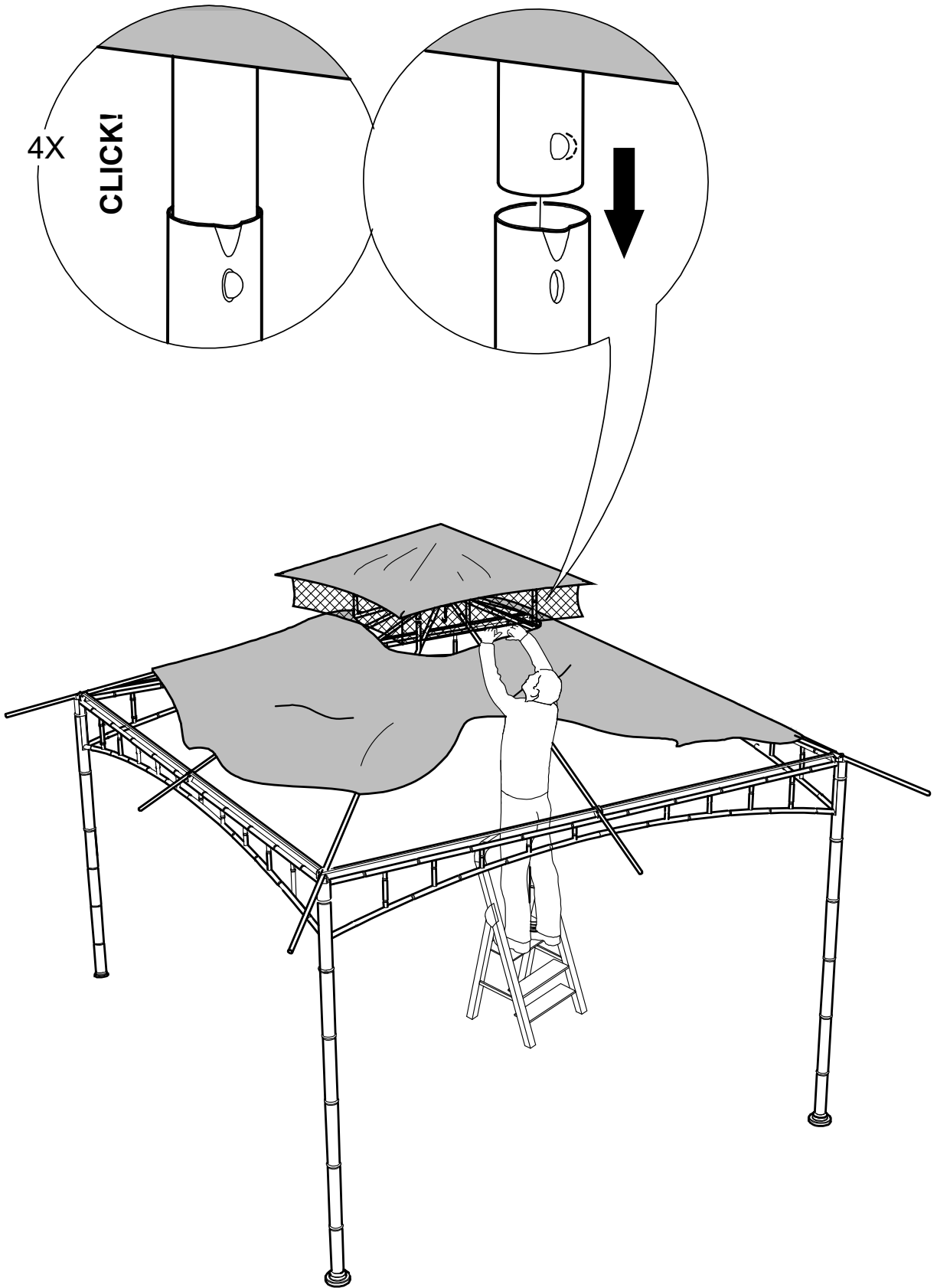
STEP 6: Assembly of Slant Beam For Small Roof



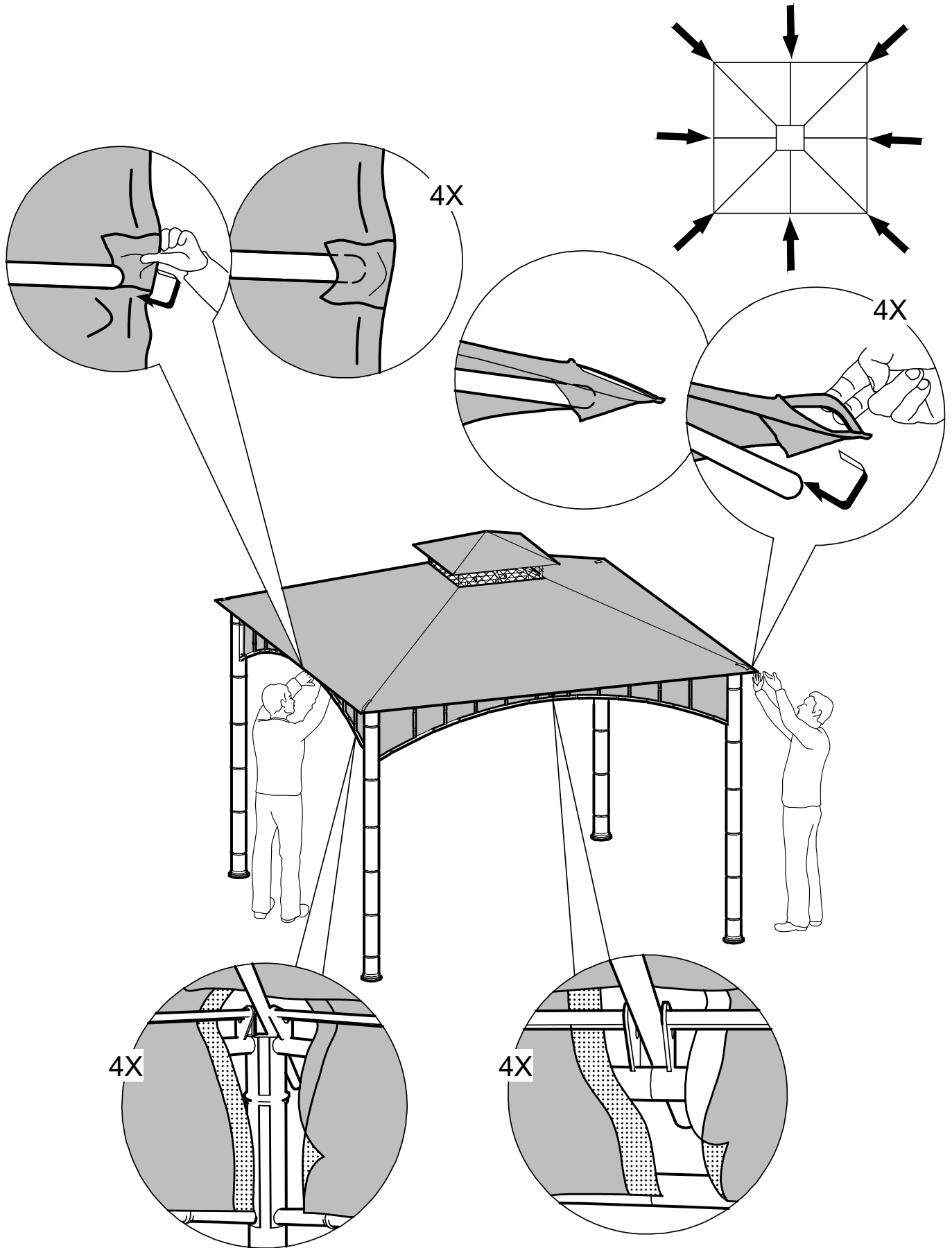
STEP 7: Assembly of Small Canopy



STEP 8: Assembly of Small Roof



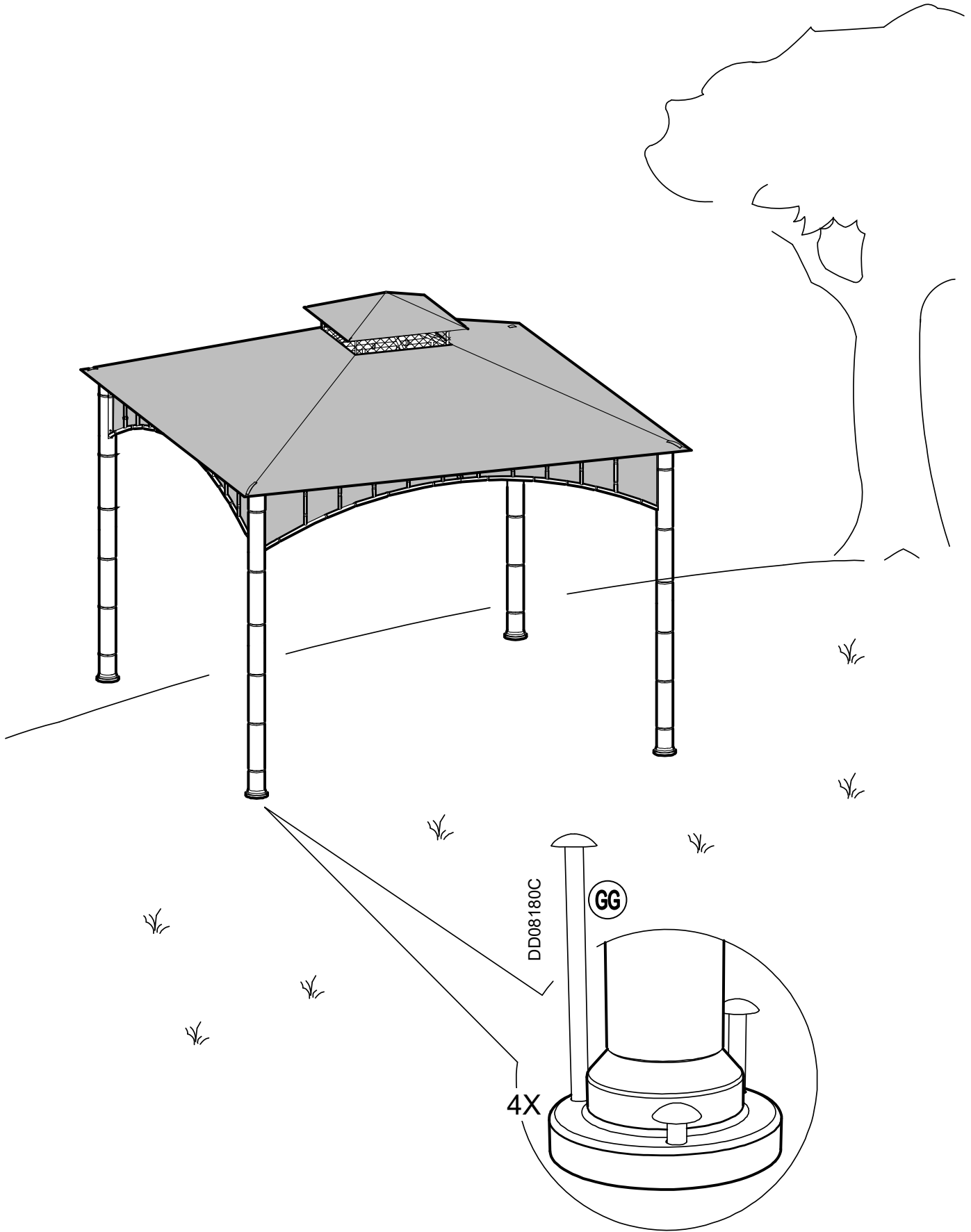
STEP 9: Assembly of Big Canopy



Country of Origin: CHINA

Call 1(866) 578-6569 for assistance.
Or visit us at www.sunjoyonline.com

STEP 10: Assembly of Stake



Country of Origin: CHINA

Call 1(866) 578-6569 for assistance.
Or visit us at www.sunjoyonline.com

Care and Maintenance

- Our steel components for garden accessories and furniture are treated with rust inhibiting paint that protects it from rusting. However, due to the nature of steel, surface oxidation (rusting) will occur once these protective coatings are scratched. This is not a defect and thus not covered by the warranty.
- To minimize this condition, we recommend care when assembling & handling the product to prevent scratching the paint. Should any scratching or damage occur, we recommend immediate touch-up with rust inhibiting paint.
- Surface rust can also be easily removed with a very light application of common cooking oil. If surface oxidation (rusting) occurs and if no measure is taken to prevent this, the oxidation may start dripping on to deck or patio and caused damaging stains, which may be difficult to remove. This can be prevented if the above-mentioned measures are taken to keep the product from oxidizing.
- Periodically check and ensure that all bolts are well-tighten during use

Limited Manufacturer's Warranty

Sunjoy Group warrants to the original purchaser that this item is free from defects in workmanship and materials for a period of **1 year** from the date of purchase, provided the item was factory-sealed at the time of purchase and is maintained with care and used only for personal, residential purposes. Should any manufacturing defect arise within this warranty period, Sunjoy Group will replace (at our option) any defective merchandise or parts upon proof of purchase; however, transportation and delivery costs, as well as payments to a third party for assembly or disassembly of the item, remain the responsibility of the purchaser. A purchaser of an "open box," previously-returned, or "clearance" item, as well as original purchasers outside of the warranty period, may obtain replacement parts from Sunjoy Group for products in current production, at nominal cost.

Exclusions:

Items used for commercial, contract, or other non-residential purposes, or items damaged due to acts of nature, vandalism, misuse, or improper assembly are not covered in the warranty. Corrosion or rusting of hardware is not covered. Proof of purchase (dated register receipt) is required for warranty claims. Warranty is to the original purchaser and is non-transferable. Any replacement of warranted items will be in the original style and color, or a similar style and color