

Assembly Instructions

Item#: L-GZ472PST-C-A

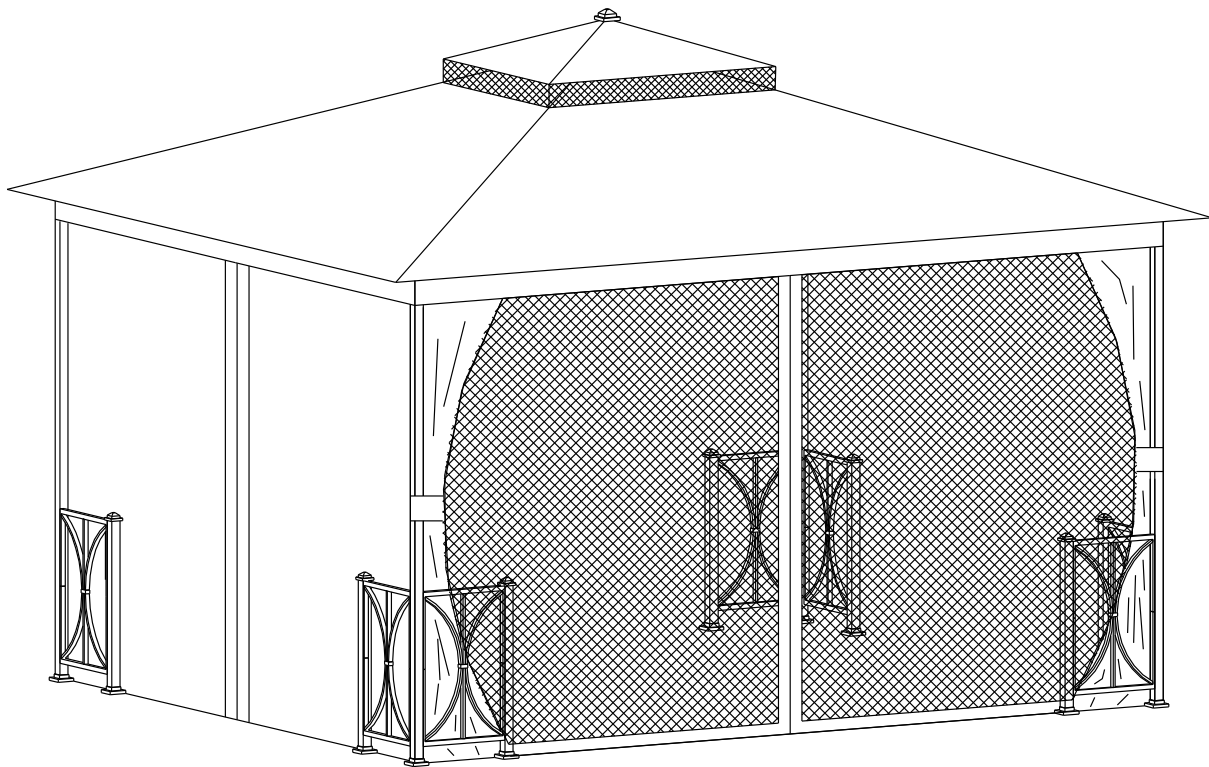


Table of Contents

Table of Contents	2	Hardware Included	3
Safety Information	2	Package Contents	4-5
Warranty	2	Assembly	6-8
What is Covered	2	Care and Cleaning	9
What is Not Covered	2	Important	9
Pre-Assembly	3		
Planning Assembly	3		

Safety Information

1. Some parts may contain sharp edges. Wear protective gloves.
2. When assembling and using this product, basic safety precautions should always be followed to reduce the risk of personal injury and damage to equipment. Please read all instructions before assembly and usage.



DANGER: This unit is heavy! Do not assemble this item alone.



WARNING: Do not leave the gazebo where there is a risk of high wind, as possible damage will occur to the structure.



CAUTION: Do not climb on top of the gazebo. Falling off the gazebo can result in serious injury, possibly even death.

NOTICE: For outdoor use only.

Warranty

1 YEAR LIMITED WARRANTY

WHAT IS COVERED

This limited warranty is extended to the original purchaser and applies to defects in materials and workmanship of your item provided the item is maintained with care and used only for personal, residential purposes. The item is warranted to be free from defects in material or workmanship for a period of 1 year.

WHAT IS NOT COVERED

We do not reimburse for transportation of delivery costs, or compensate the individual or any outside party for assembling or disassembling the product.

Contact the Customer Service Team at 1-866-578-6569 or visit www.sunjoyonline.com.

Pre-Assembly

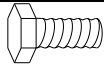

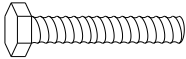
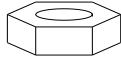


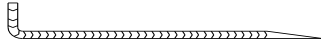

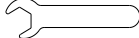
PLANNING ASSEMBLY

Before beginning assembly of this product, make sure all parts are present. Compare parts with the Hardware Included and Package Contents lists. If any part is missing or damaged, do not attempt to assemble the product. Contact customer service for replacement parts.

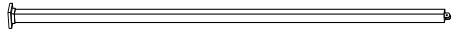



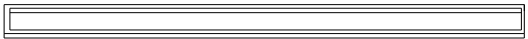
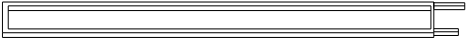


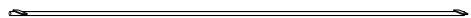






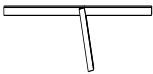

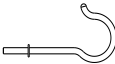
HARDWARE INCLUDED








NOTE: Hardware not shown to actual size.

Description	Part#	Label	Qty	Image
M6 X 15 Bolt	BM06015C	AA	28	
M6 Flat washer	UD06C	BB	96	
M6 X 35 bolt	BM06035C	CC	28	
M6 Nut	LM06C	DD	12	
Small ring	R40U	EE	52	
Big ring	R60U	FF	52	
Dia. 6 X 230 Stake	QD06230D	GG	24	
M6 X 25 bolt	BM06025C	HH	32	
M6 Wrench	W10D	II	2	

PACKAGE CONTENTS

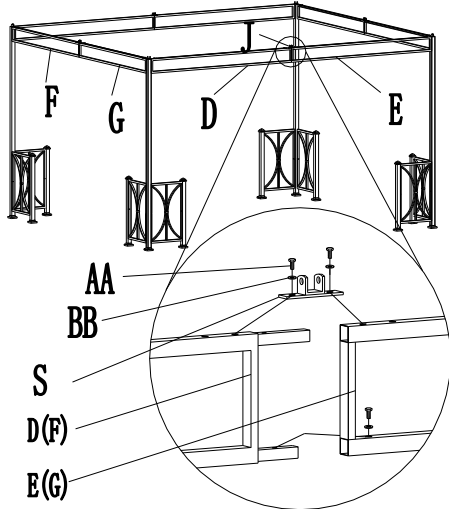
Description	Part#	Label	Qty	Image
Big post	GZ0472XCA01	A	4	
Small post	GZ0472XCA02	B	8	
Fence	GZ0472XCA03	C	8	
Long screen 1	GZ0472XCA04	D	2	
Long screen 2	GZ0472XCA05	E	2	
Short screen 1	GZ0472XCA06	F	2	
Short screen 2	GZ0472XCA07	G	2	
Long mosquito net tube	GZ0472XCA08	H	4	
Short mosquito net tube	GZ0472XCA09	I	4	
Middle beam 1	GZ0472XCA10	J	2	
Middle beam 2	GZ0472XCA11	K	2	
Oblique beam	GZ0472XCA12	L	4	
Oblique beam connector	GZ0472XCA13	M	4	
Big roof connector	GZ0472XCA14	N	1	
Small roof connector	GZ0472XCA15	O	1	
Small roof oblique beam	GZ0472XCA16	P	4	
Decoration	GZ0472XCA17	Q	1	
Hook	GZ0472XCA18	R	1	

Description	Part#	Label	Qty	Image
Straight pipe connector	GZ0472XCA19	S	4	
Small canopy	GZ0472XCA20	T	1	
Big canopy	GZ0472XCA21	U	1	
Mosquito net	GZ0472XCA22	V	1	
Wall	GZ0472XCA23	W	1	

Assembly

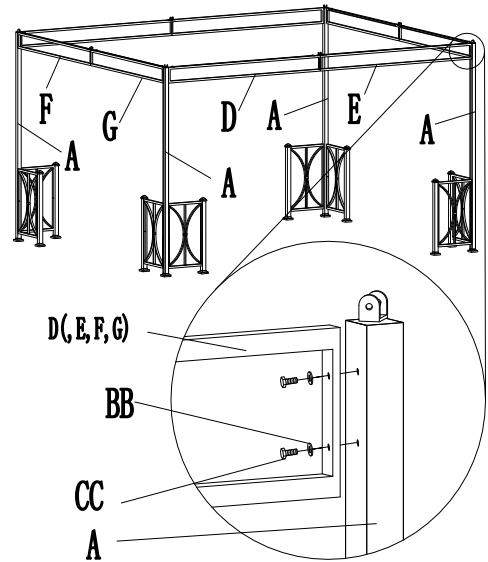
1 Attaching the long and short screens

- Insert the long screen 1 (D) into long screen 2 (E). Then install straight pipe connector (S between the two screens (D and E) using bolts (AA) and flat washers (BB). Repeat this step to attach short screen 1 (F) and short screen 2 (G).



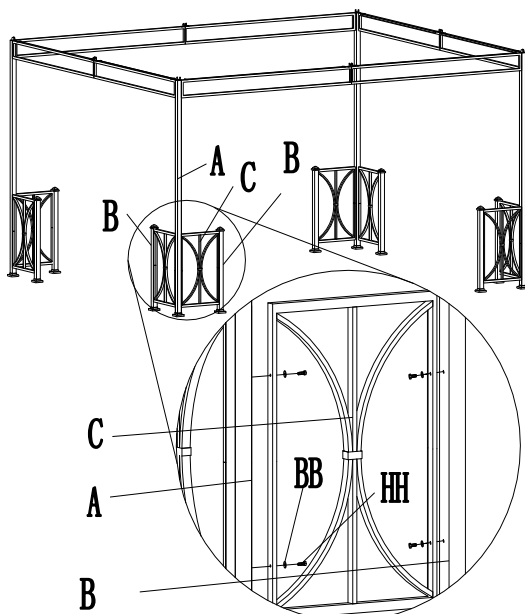
2 Attaching the screens to the post

- Install the assembled screens to the big posts (A) using bolts (CC) and flat washers (BB). You should now have a rectangular frame.



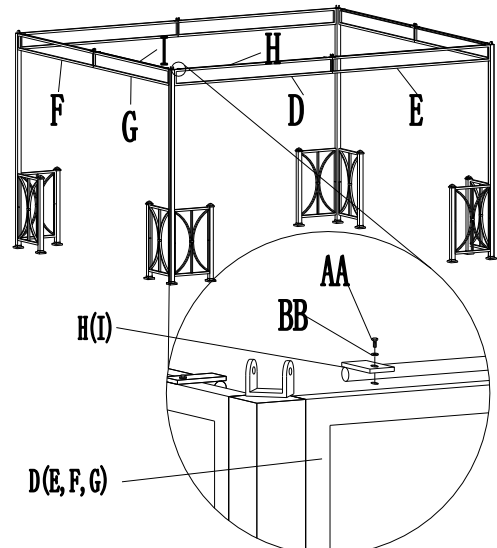
3 Attaching the fence to the post

- Attach the fences (C) to the big posts (A) and small posts (B) using bolts (HH) and flat washers (BB).



4 Assembling the mosquito netting tubes

- Attach the long mosquito net tubes (H) to the long screens (D and E) and the short mosquito net tubes (I) to the short screens (F and G) using bolts (AA) and flat washers (BB).



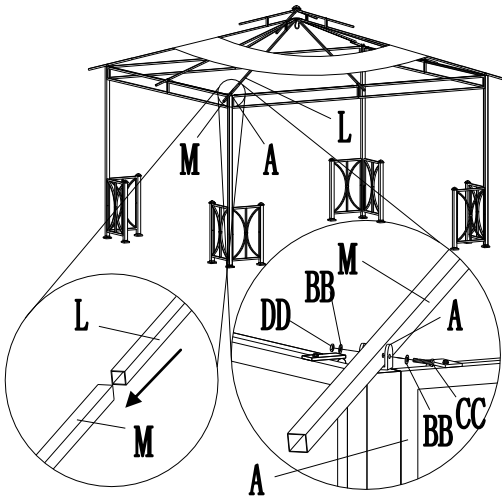
Assembly (continued)

5 Assembling the oblique beams

- Insert the oblique beams (L) into oblique beam connectors (M). Secure the oblique beam connectors (M) to the U-shaped assembly using bolts (CC), flat washer and nuts (DD).

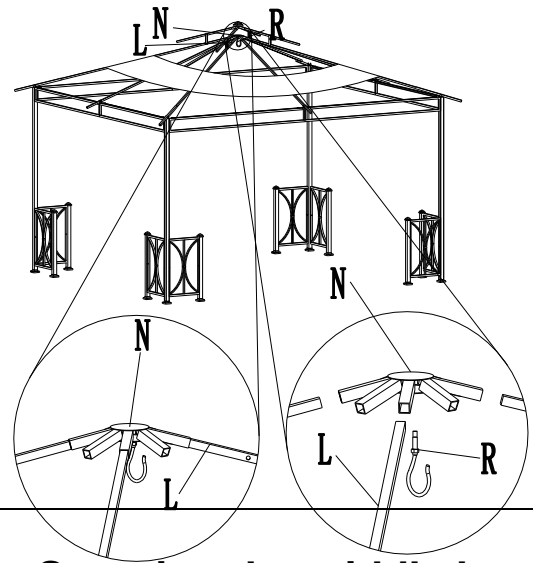


NOTE: To avoid destroying the finish, please handle it with care.



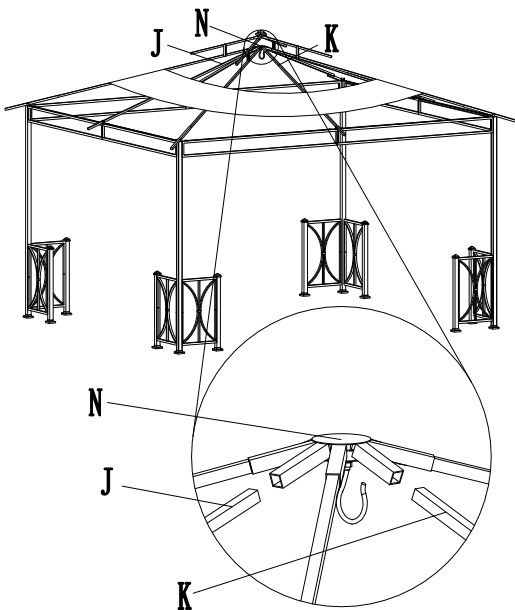
6 Assembling the roof

- Insert the oblique beams (L) into the connecting tube of big roof connector (N). Secure the hook (R) to the big roof connector (N). **Please note Connector (N) is marked with K & L labels for insertion into proper tubes.**



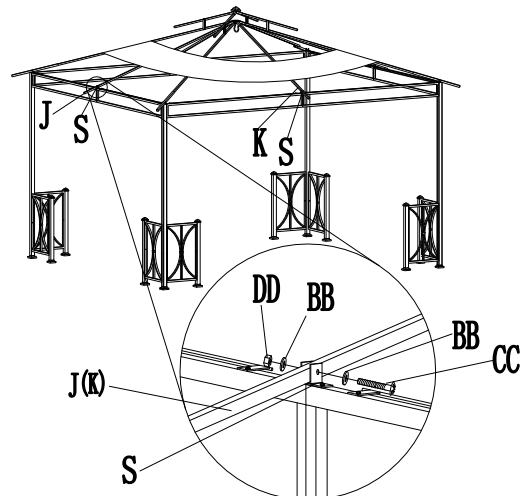
7 Attaching the middle beams to the roof connector

- Insert the middle beams (J and K) into the big roof connector (N). **Follow labels on (N) for proper tube insertion.**



8 Securing the middle beams

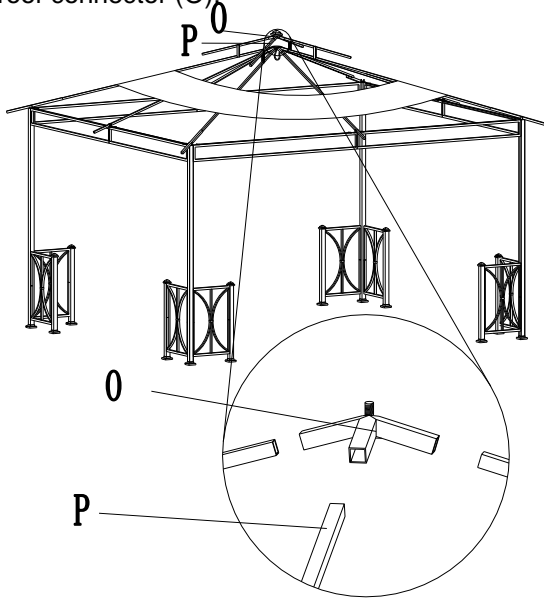
- Install either middle beams 1 (J) or middle beams 2 (K) to the U-shaped piece of the straight pipe connectors (S) using bolts (CC), flat washers (BB) and nuts (DD). Place the big canopy (U) on the assembled big roof. Do not unfold it completely.



Assembly (continued)

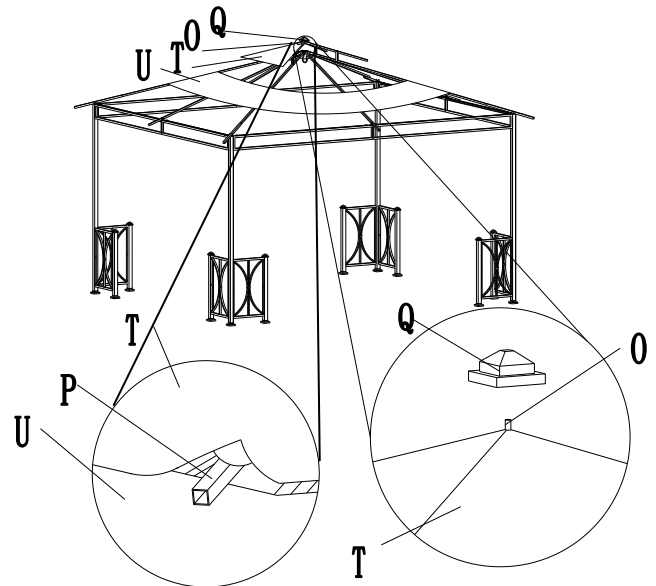
9 Attaching the small roof oblique beams

- Insert the small roof oblique beams (P) into the small roof connector (O).



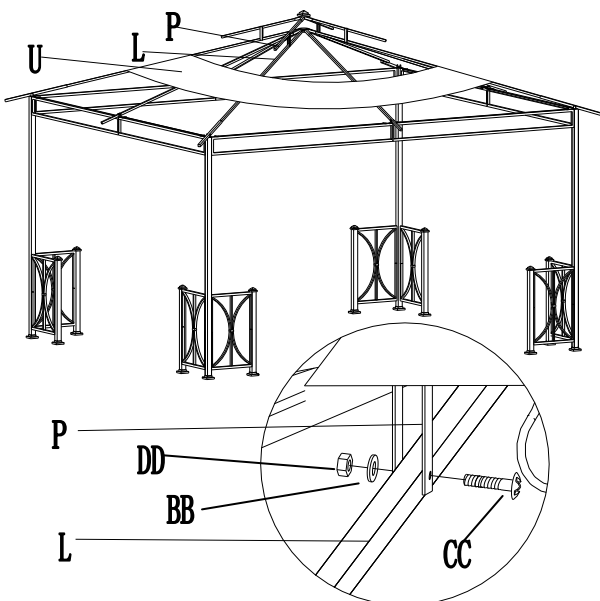
10 Attaching the decoration

- Assemble the small canopy (T) to the small roof oblique beam (P) and assemble the decoration (Q) to the small roof connector (O).



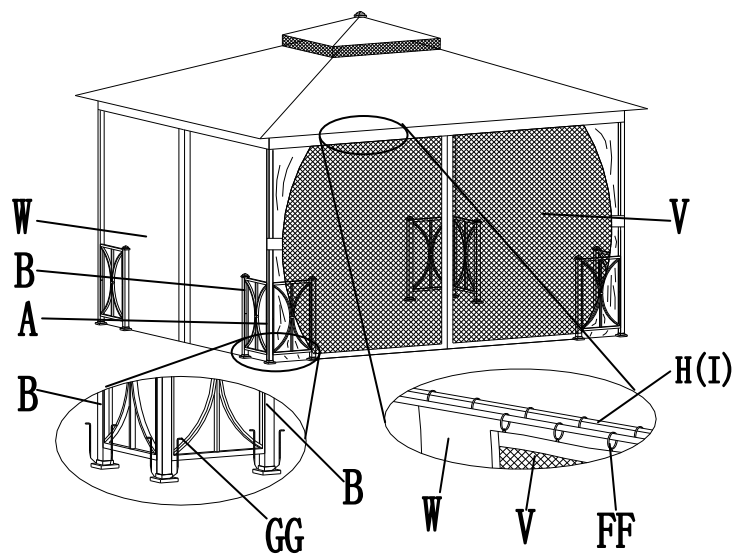
11 Attaching the small roof oblique beam

- Attach the small roof oblique beams (P) to the holes of the oblique beams (L) using bolts (CC), flat washers (BB), and nuts (DD). Put the big canopy (U) on top of the assembly.



12 Completing the assembly

- Use the small rings (EE) to hang the mosquito net (V) to the mosquito net tubes (H and I). **Please note there is a short side (12 rings) and long side (14 rings) to netting.** Use the big rings (FF) to hang the wall (W) to the upper screen tube. Secure the assembled gazebo to the lawn using the **Stakes** (GG).



Care and Cleaning

Before using, clean the product completely with a soft, dry towel. When not in use, wipe free of any dirt or loose objects, wash with a mild solution of soap and water; rinse thoroughly and dry completely.

- Do not use strong detergent or abrasive cleaners.
- Do not machine wash.
- Bolts can loosen over time. Be sure to check bolts occasionally, tightening as needed.
- This gazebo is not a permanent structure and should be disassembled & stored away after use.
- Our iron/steel components for garden accessories and patio items are coated with rust inhibiting paint that protects it from rusting. However, due to the nature of iron, surface oxidation (rusting) will occur once these protective coatings are scratched. This is a natural process and is not a defect! To minimize this condition, we recommend care when assembling & handling the product to prevent scratching the paint. Should any scratching or damage occur, we recommend immediate touch-up with rust inhibiting paint. Surface rust can also be easily removed with a very light application of common cooking oil. If surface oxidation (rusting) occurs and if no measure is taken to prevent this, the oxidation may start dripping on to deck or patio and cause damaging stains, which may be difficult to remove. This can be prevented if measure is taken to keep the product from oxidizing

Important

Please do not return this product to the store. For technical assistance or replacement parts, please call Sunjoy Group at 1 (866) 578-6569 between 8:00 AM EST and 8:00 PM PST. You may fax your replacement parts form (which is included in the packaging) to 1 (740) 283-3549 or email to customer.care@sunjoygroup.com

Made in China

2016-11
