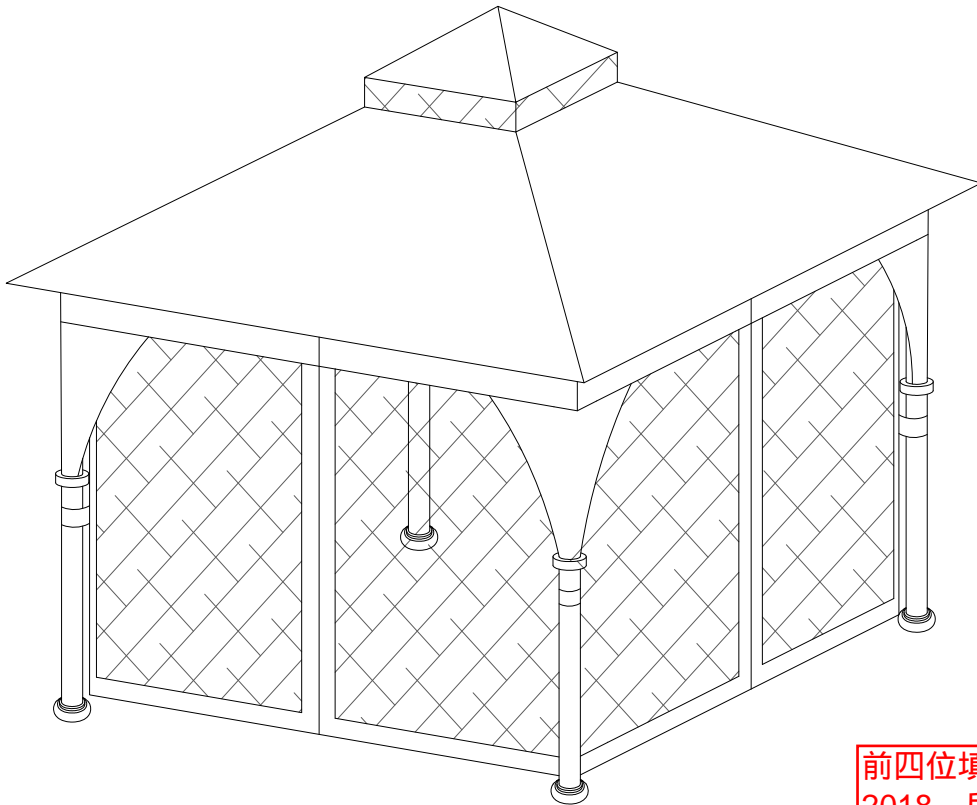


Sunjoy L-GZ375PST 8'x8' Margnum gazebo W/netting

Owner's Manual



前四位填销售季
2018, 后四位填工
厂代码

IMPORTANT

Thank you very much for choosing Sunjoy Group.

Please take time to read these instructions thoroughly and follow each step carefully for safe and easy operation. Keep this manual for future reference.

We would like to hear from you with any comments or suggestions. You can call us toll-free at 1-866-578-6569 from 8:00 a.m. EST to 8:00 p.m. PST. You can also send the email to customer.care@sunjoygroup.com or visit www.sunjoyonline.com to get tech. assistance or to place your replacement part order form.

Cautions:

1. Keep all children and pets away from assembly area. Children and pets should be supervised when they are in the area of gazebo construction.
2. The area for assembly should not be less than 6 feet from any obstruction such as fence, garage, house, overhanging branches, laundry line or electrical wires.
3. For your safety, Do not assemble this item alone. Two people are recommended for safe assembly.
4. Some parts may contain sharp edges. Wear protective gloves if necessary during assembly.
5. When assembling and using this product, basic safety precautions should always be followed to reduce the risk of personal injury and damage to equipment. Please read all instructions before assembly and use.
6. For outdoor use only. Install on level ground. Do not cook inside the tent.
7. Check all bolts for tightness before and during usage
8. Pegs supplied must be used to hold this gazebo in place when upright.
9. Warranty does not cover damage due to extreme weather conditions.
10. Do not use candles, matches or open flames of any kind in or near a tent.
11. Build campfires downwind and several meters away from a tent and be sure to fully extinguish campfires before leaving a campsite or before retiring for the night.
12. Exercise extreme caution when using fuel-powered lanterns or heaters inside a tent and use battery-operated lanterns whenever possible.
13. Extinguish or turn off all lanterns before going to sleep. Do not smoke in a tent.
14. **WARNING: KEEP ALL FLAME AND HEAT SOURCES AWAY FROM THIS TENT FABRIC.** This tent is made with fabric that meets CPAI-84 specifications for flame resistance. It is not fire proof. The fabric will burn if left in continuous contact with any flame source.

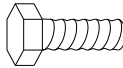
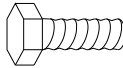
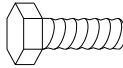


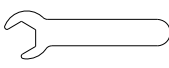
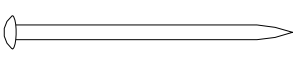

Assembly Instructions:

Our clear, easy-to-follow, step-by-step instructions will guide you through the project from start to finish. The final product will be a quality piece that will go together smoothly and give years of enjoyment.

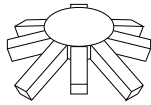
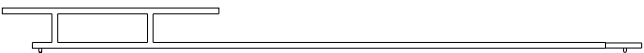


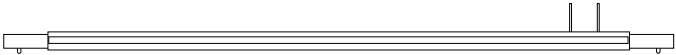

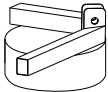






All you will need is a screwdriver, a hammer and two ladders of at least 8 feet (2.5 m) high (not included).

Parts identification: For ease of identification, all parts are labeled to correspond to the Step number in which the part is used.

Hardware Pack

AA	1/4"-20*0.6 Bolt	4PCS	
BB	1/4"-20*1.18 Bolt	32PCS	
CC	1/4"-20*1.4 Bolt	8 PCS	
DD	1/4"-20 Flat Washer	48 PCS	
EE	1/4"-20Nut	8 PCS	
FF	1/4"-20 Wrench	1PC	
GG	1/4"*10 Stake	8PCS	
HH	Mosquito Netting Hook	32PCS	

Parts List

A	Top connector	1PC	
B	Long angle beam	4PCS	
C	Short angle beam	4PCS	
D	Girder	4PCS	
E	Horizontal beam 1	4PCS	
F	Horizontal beam 2	4PCS	
G	Connector	4PCS	
H1	Post	4PCS	
J	Arc connector	4PCS	
K	Hook	1PC	
L	Small canopy	1PC	
M	Big canopy	1PC	
N	Mosquito netting	1PC	

Step 1

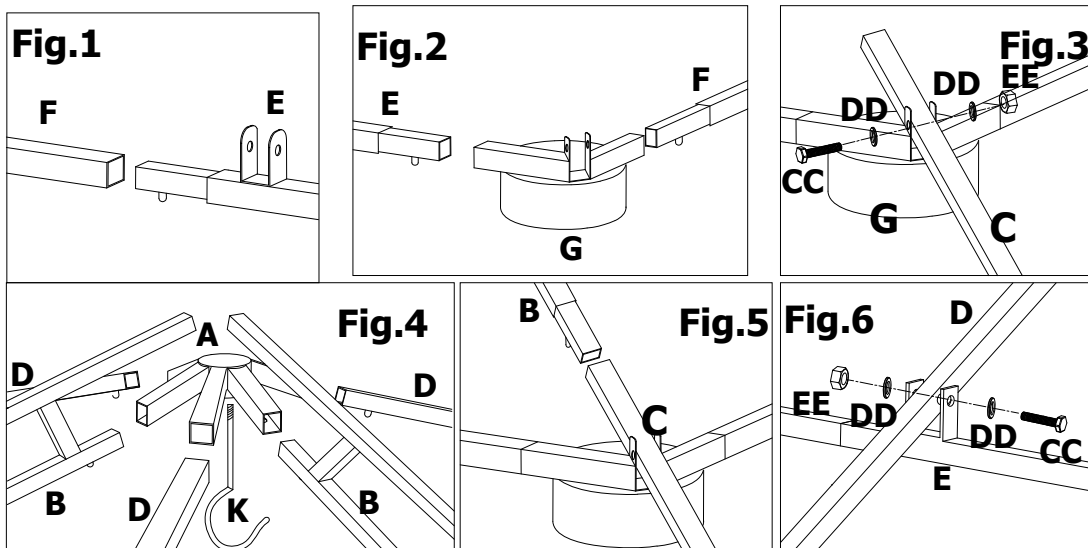
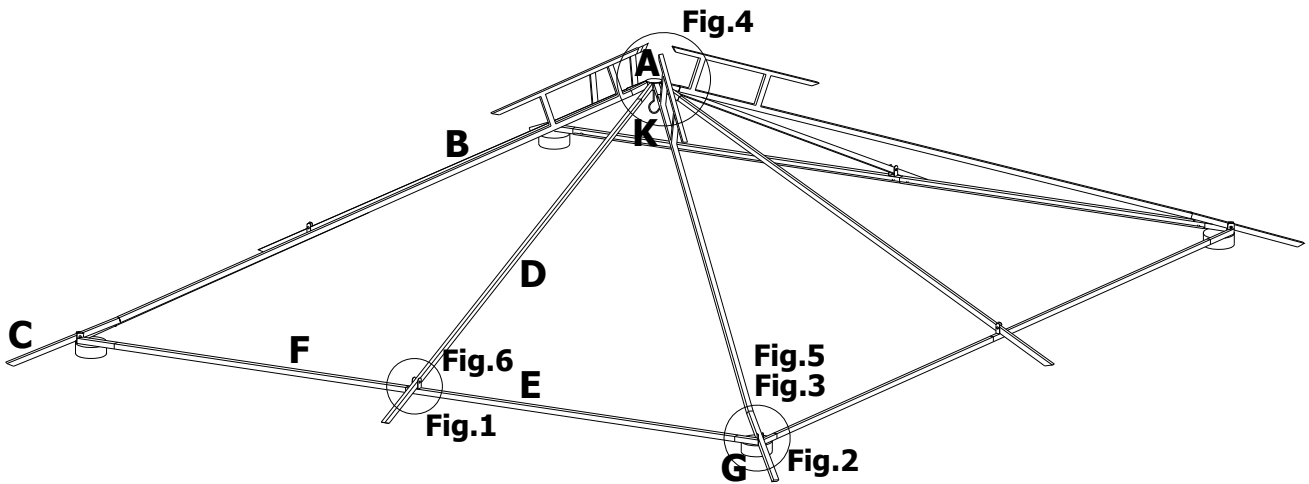


Fig.1: Insert one side of horizontal beam 1(E) into horizontal beam 2 (F) (Fig.1) Repeat on all sides.

Fig.2: Insert another side of horizontal beam 1(E) and horizontal beam 2 (F) into the hole of connector (G) (Fig.2). Repeat on all sides.

Fig.3: Connect short angle beam (C) with connector (G) and tighten with bolt (CC), washer (DD), nuts (EE) (Fig.3)

Fig.4: Insert hook (K) into top connect (A) first, then insert long angle beam (B) and one side of girder (D) into Top connector (A). Repeat on all sides. (Fig.4)

Fig.5: Insert one side of long angle beam (B) into short angle beam (C). (Fig.5)

Fig.6: Use bolt (CC), flat washer (DD) and nut (EE) to connect girder (D) and horizontal beam 1 (E). Repeat on all sides. Tighten all bolts. (Fig.6)

Step 2

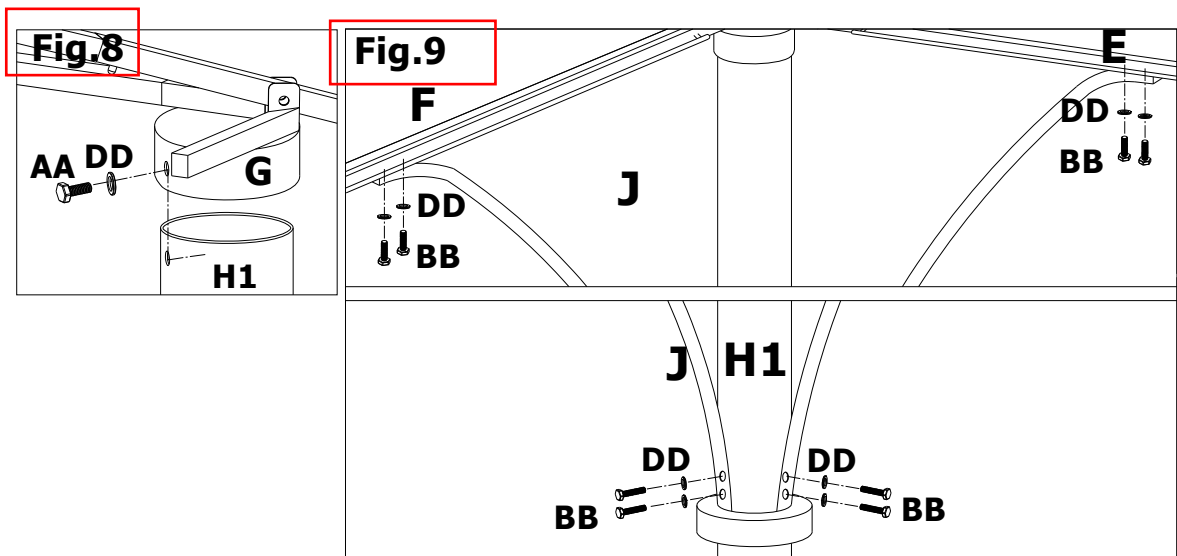
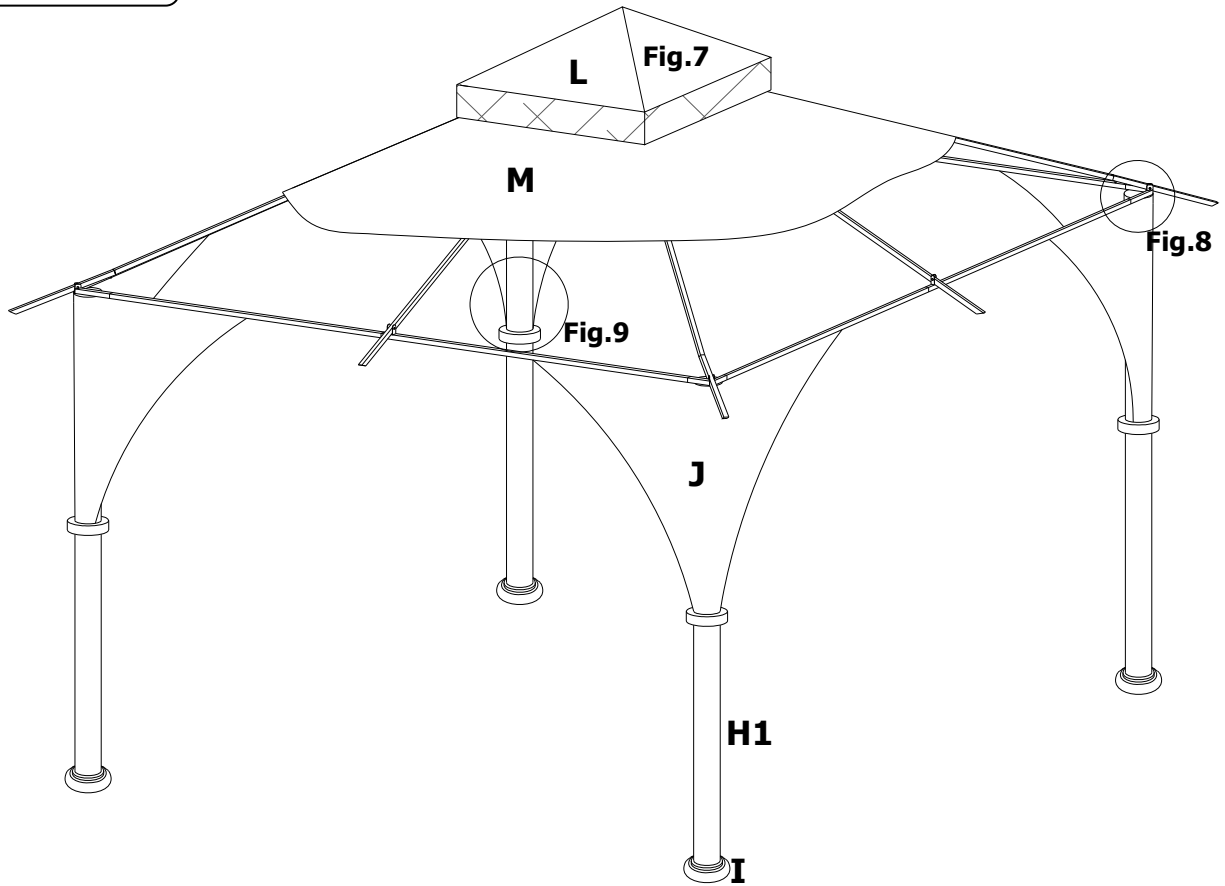


Fig.7: Finish covering small canopy (L), install big canopy (M) on the structure but do not fully cover (Fig.7).

Fig.8: Lift assembled roof (G) up, fix connector (G) and post (H1) with bolt (AA), flat washer (DD).

Repeat for all posts. (Fig8)

Fig.9: Connect one side of arc connector (J) with pole (H1), and connect the other side with horizontal beam 1(E) And horizontal beam 2 (F) (Fig.9).

Step 3

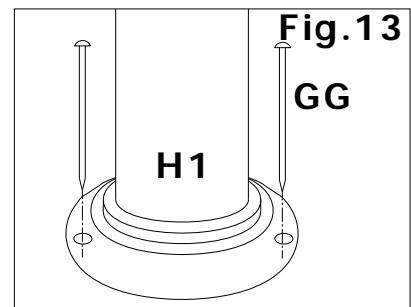
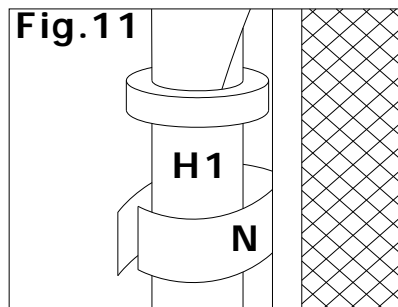
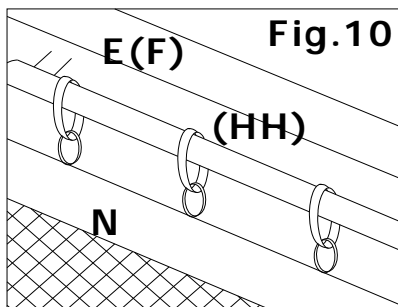
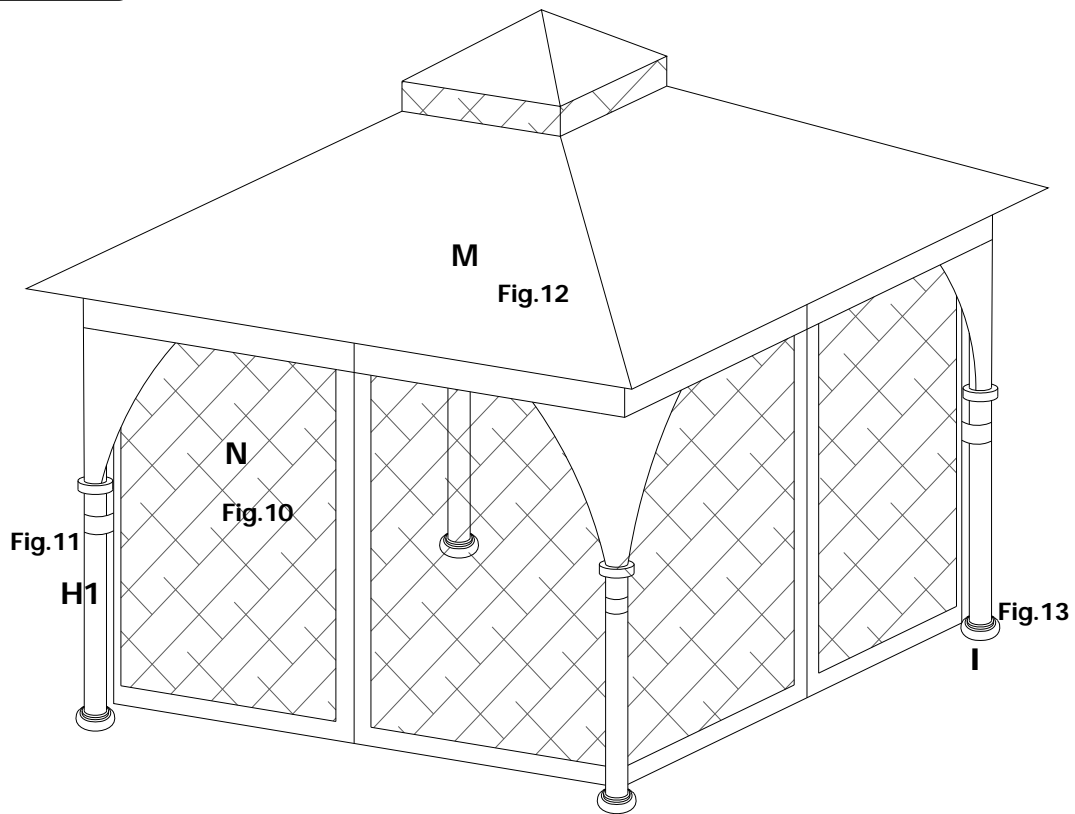


Fig.10: Use mosquito netting hooks (HH) to hang mosquito netting (N) onto horizontal beam 1 (E) and horizontal beam 2 (F). (Fig.10)

Fig.11: Make sure the Velcro tie of the mosquito netting (N) is properly attached to the pole (H1) (Fig.11).

Fig.12: Spread big canopy (M) over the entire structure, and slide into each corner (Fig.12).

Fig.13: Insert stakes (GG) in post (H1) to secure gazebo to the ground. Repeat on all posts.

Your gazebo is now fully assembled.

Care & Maintenance:

Our steel components for garden accessories and furniture are treated with rust inhibiting paint that protects it from rusting. However, due to the nature of steel, surface oxidation (rusting) will occur once these protective coatings are scratched. This is not a defect and thus not covered by the warranty.

To minimize this condition, we recommend care when assembling & handling the product to prevent scratching the paint. Should any scratching or damage occur, we recommend immediate touch-up with rust inhibiting paint.

Surface rust can also be easily removed with a very light application of common cooking oil. If surface oxidation (rusting) occurs and if no measure is taken to prevent this, the oxidation may start dripping on to deck or patio and caused damaging stains, which may be difficult to remove. This can be prevented if the above-mentioned measures are taken to keep the product from oxidizing.

Limited Manufacturer's Warranty:

This limited warranty is extended to the original purchaser and applies to defects in materials and workmanship of your item provided the item is maintained with care and used only for personal, residential purposes.

The item is warranted to be free from defects in material or workmanship for a period of **Six Months** . We don't reimburse for transportation or delivery costs, or compensate the individual or any outside party for assembling or disassembling the product.

Exclusions:

Items used for commercial, contract, or other non-residential purposes, or items damaged due to acts of nature, vandalism, misuse, or improper assembly are not covered. Corrosion or rusting of hardware is not covered. Proof of purchase (dated register receipt) is required for warranty claims. Warranty is to the original purchaser and is non-transferable. Any replacement of warranted items will be in the original style and color, or a similar style and color if the original is unavailable or has been discontinued. As some states do not allow exclusions or limitations on an implied warranty, the above exclusions and limitations may not apply. This warranty gives you specific rights, and you may also have other rights, which vary from state to state.

Made in China
2017-8