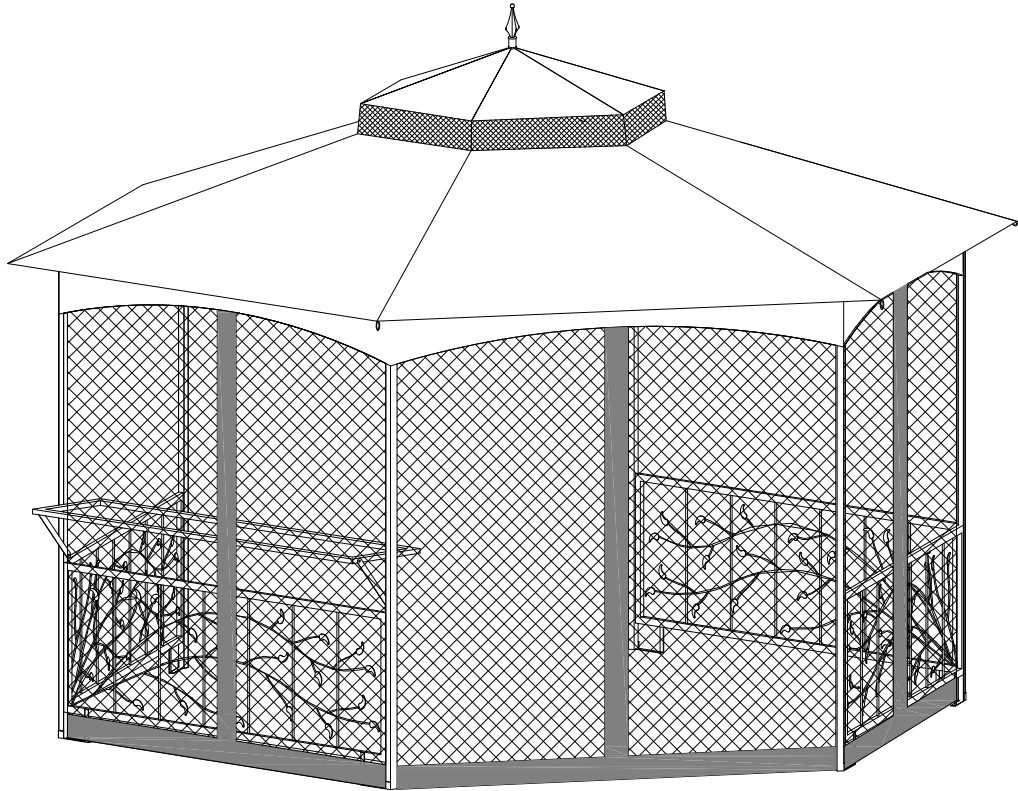


Assembly Instructions

ITEM#L-GZ076PST-1B

Hexagon Leaf Gazebo



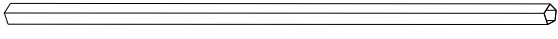
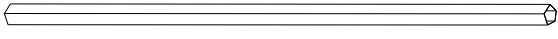
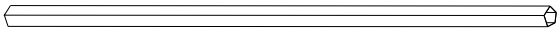
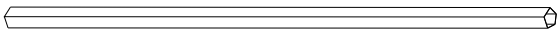
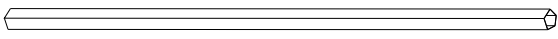
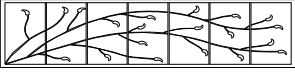


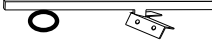

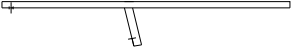
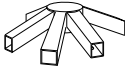
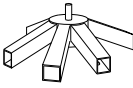
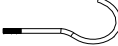

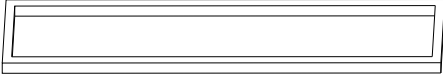
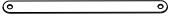
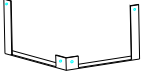
IMPORTANT:







Please read and follow all safety statements, warnings, assembly instructions, use & care directions, before attempting to assemble.

1. When installing and assembling your gazebo, it is recommended that 4 or more adults are involved.
2. Do not use the unit during an electrical storm, as there is a remote chance of getting struck by lightning.
3. Do not climb on top of the gazebo. Falling off the gazebo can result in serious injury, possibly even death.
4. Do not leave the gazebo assembled when there is a risk of high wind, as possible damage will occur to the structure.
5. Never barbecue under this gazebo or use lanterns that contain open flames.
6. This package contains small items and plastic bags that should be kept away from children.
7. Ensure that all connectors & poles are firmly secured fully in position. It is important to do so before use so as to avoid collapsing or damage to the item, which could result in injury.



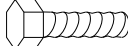




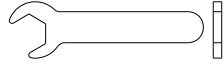
Tools required: ladder, hammer screwdriver (not included)

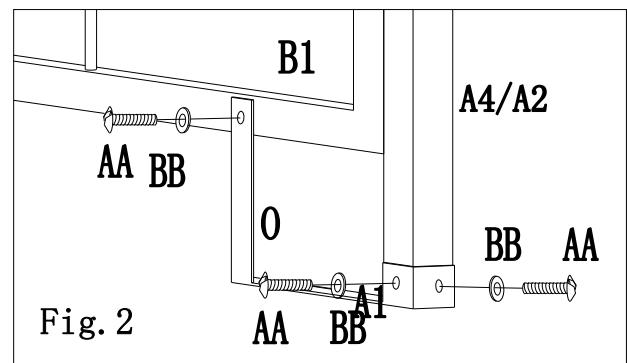
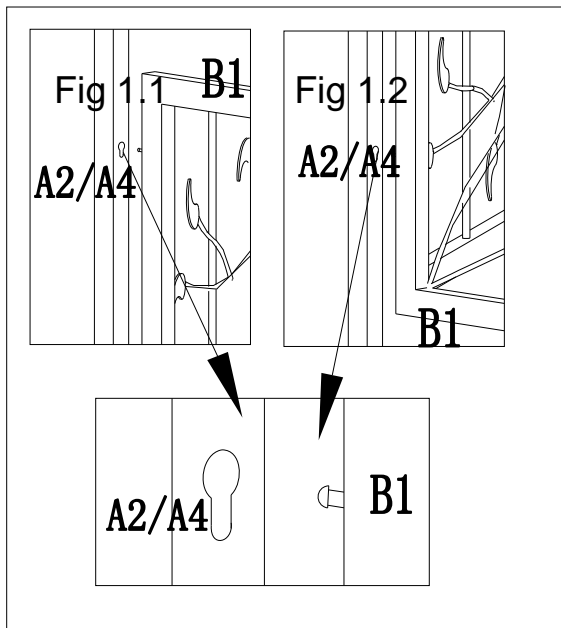
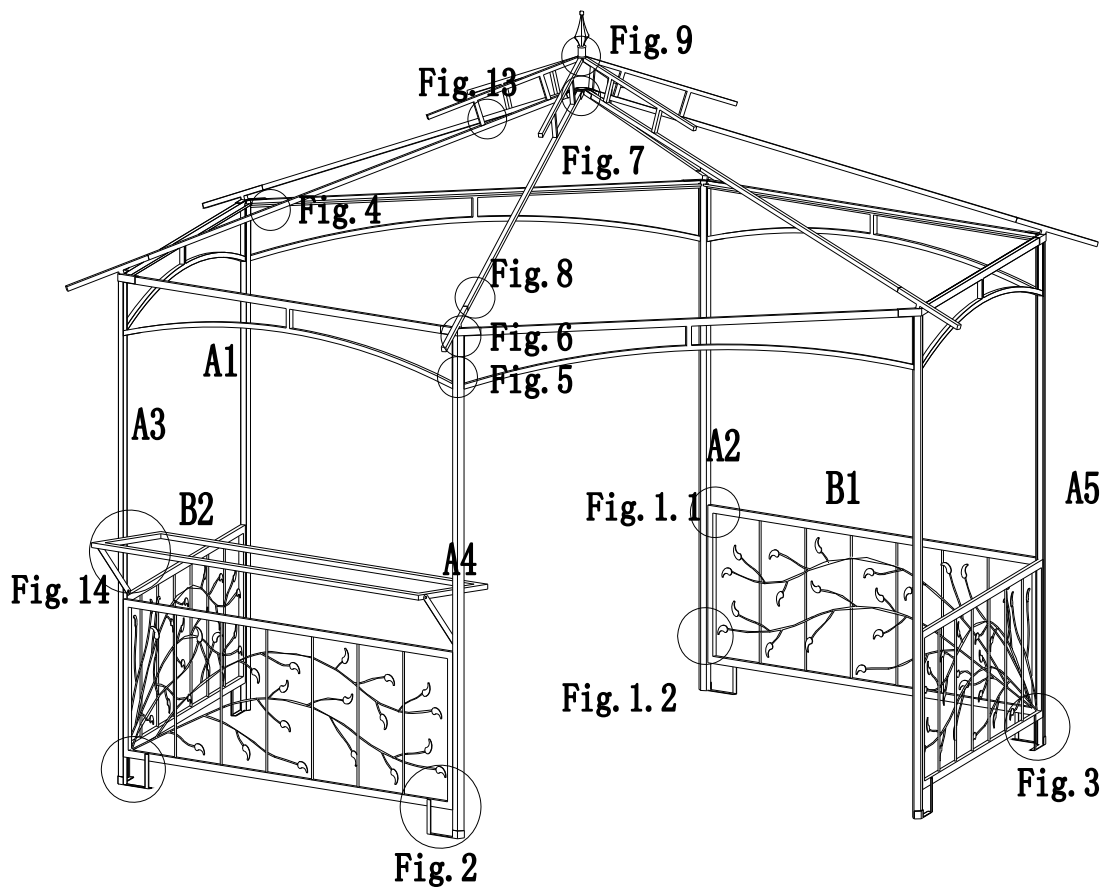
Parts List

Pole 1	A1	2	
Pole 2	A2	1	
Pole 3	A3	1	
Pole 4	A4	1	
Pole 5	A5	1	
Fence 1	B1	2	
Fence 2	B2	2	
Screen	C	6	
Corner connector	D1	6	
Slant bar	E1	6	
Small top bar	F1	6	
Large top connector	G1	1	
Small top connector	H	1	
Hook	I	1	
Tracking Tube	J	6	
Glass side bar top	K	1	
Side bar top support (preassembled on the side bar top K)	L	2	
Peg fitting 1	M	2	

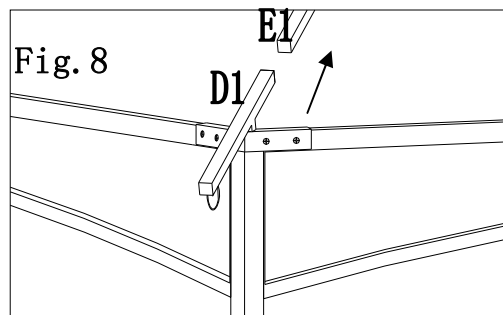
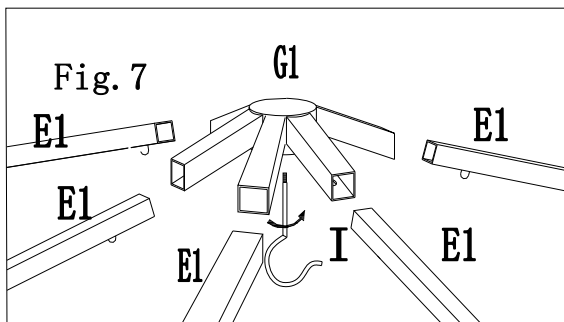
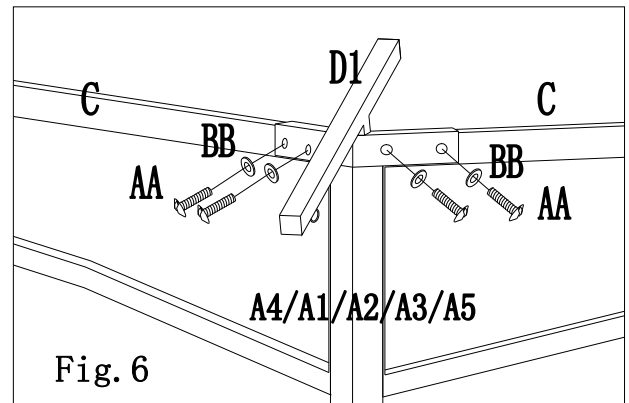
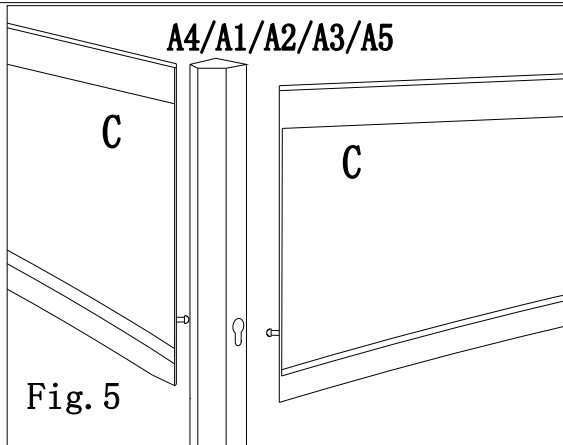
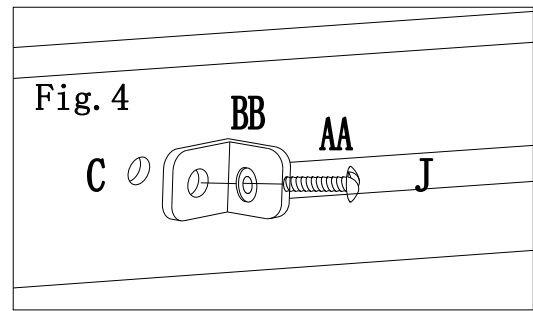
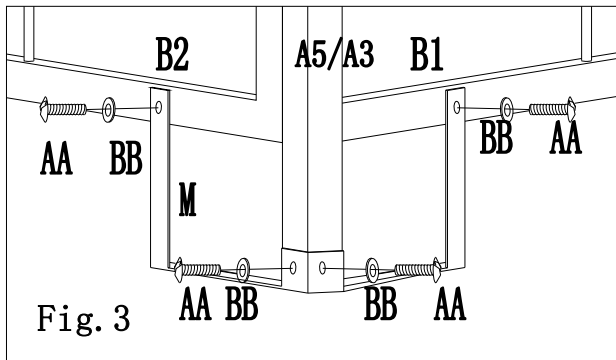
Peg fitting 2	N	2	
Peg fitting 3	O	2	
Small canopy	P	1	
Top canopy	Q	1	
Bug netting	R	1	
Finial decoration	S	1	

Hardware Pack

AA	M5x15 mm Screw	56PCS	
BB	M5 Flat Washer	56 PCS	
CC	M6x30 mm Screw	2PCS	
DD	M6 Flat Washer	2PCS	
FF	Plastic Washer	4PCS	
GG	Stake	8PCS	
HH	Plastic Tie	48 PCS	
JJ	M6 Wrench	1 PC	



- Step.1:** Insert Fence 1(B1) into Pole2 (A2) and Pole 4 (A4) as Fig 1.1and Fig 1.2 showed; then insert the other end of fence into Pole 5(A5) and Pole 3(A3), assemble Fence 2(B2) in the same way.
- Step.2:** Use screw (AA), flat washer (BB) to connect Peg fitting 3 (O) to Fence (B1) and Pole (A4 and A2) (Fig.2). Assemble Peg fitting 2 (N) to Fence (B2) and Pole 1 (A1) in the same way.



Step.3: Use screw (AA), flat washer (BB) to connect Peg Fitting 1(M) to Fence (B1 and B2) and Pole (A3 and A5) (Fig.3).

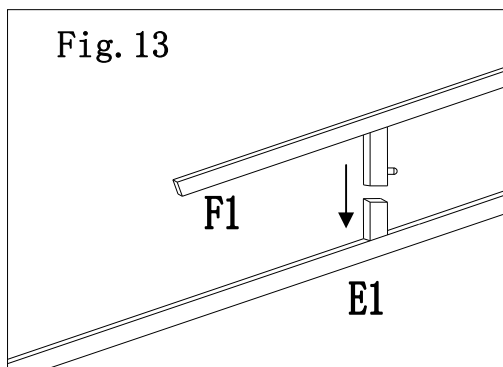
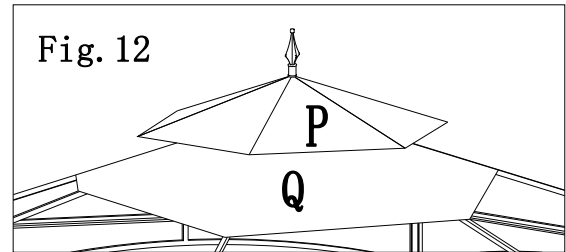
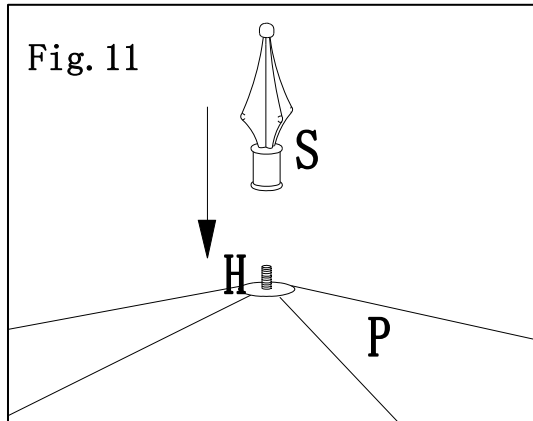
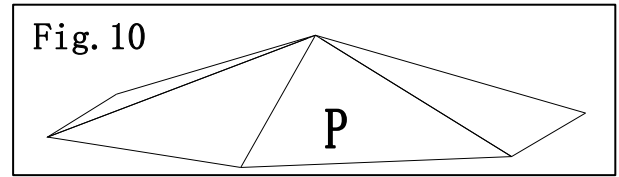
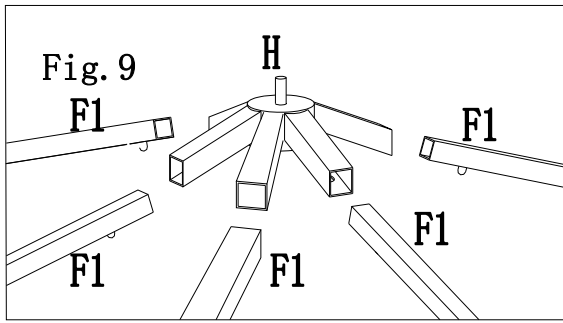
Step.4: Use screw (AA), flat washer (BB) to fix Tracking Tube (J) to the Screen (C) (Fig.4).

Step.5: Install the Screen (C) to the Pole (A4/A1/A2/A3/A5) with its own pin (Fig.5).

Step.6: Use screw (AA), flat washer (BB) to fix Corner connector (D1) to the Pole (A4/A1/A2/A3/A5) and Screen (C) (Fig.6).

Step.7: Insert Slant bar (E1) to Large top connector (G1); and twist Hook (I) to Large top connector (G1) (Fig.7).

Step.8: Insert Corner connector (D1) to Slant bar (E1) (Fig.8).



Step.9: Insert Small top bar (F1) to Small top connector (H) (Fig.9).

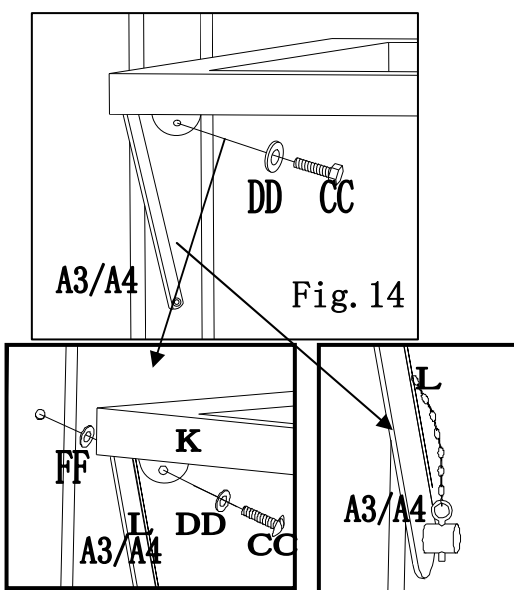
Step.10: Assemble the small canopy (P) on small top frame (Fig.10).

Step.11: Rotate the Finial decoration (S) to the screw bar of small top (H) (Fig.11).

Step.12: Assemble the Top canopy (Q) on top frame (do not tighten) (Fig.12).

Step.13: Insert Small top bar (F1) to Slant bar (E1) (Fig.13).

Step.14: Use screw (CC), flat washer (DD) and Plastic Washer (FF) to fix Glass side bar top (K) to the Pole (A3/A4), then fix Side bar top support (L) to the Pole (A3/A4) with its own chain bolt (Fig.14).



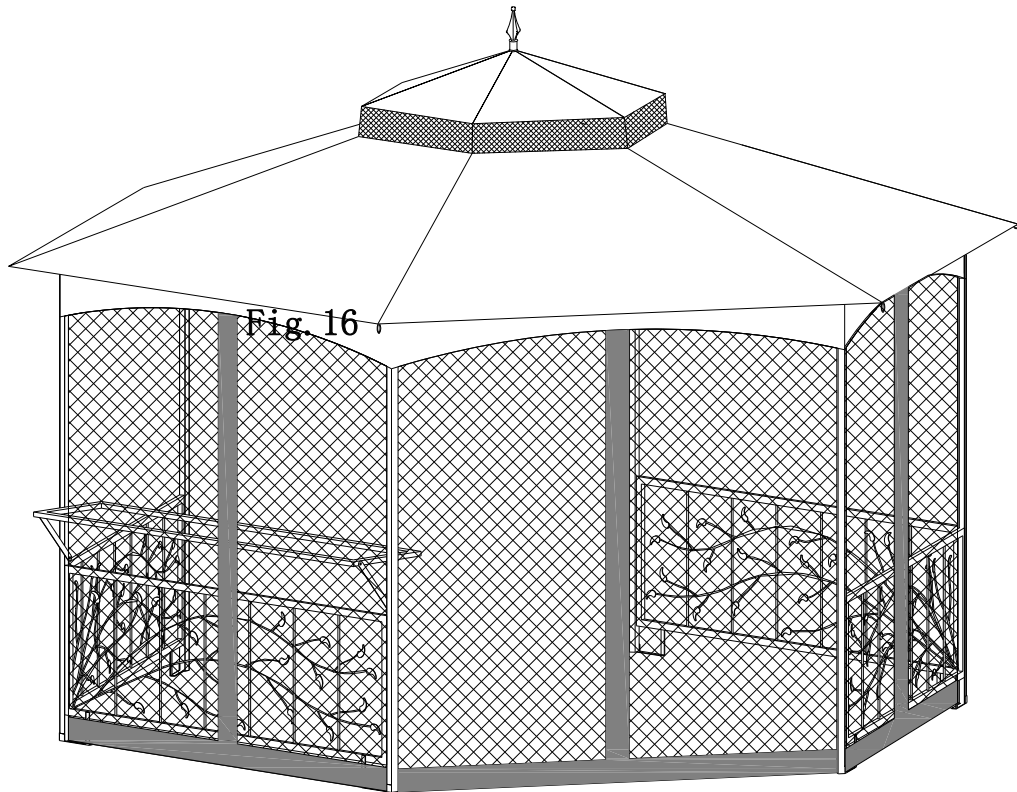
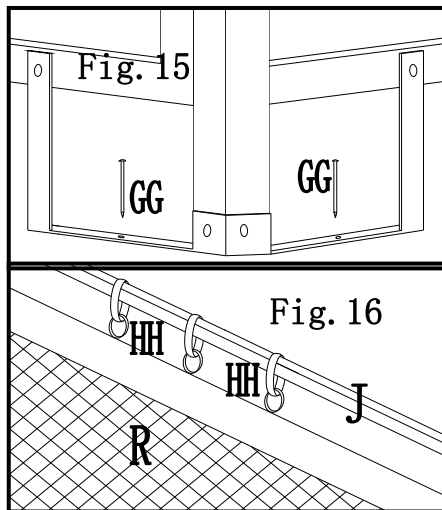


Fig. 15



Step 15: Insert Stake (GG) into Peg fitting 1/2/3(M/N/O) from up to bottom (Fig.15).

Step 16: Hang the Netting (R) to Tracking Tube (J) with Plastic Tie (HH), (Fig.16).Lastly fully assembled the canopy (Q).

Now the gazebo is ready for use.

USE & CARE:

1. This Gazebo is not a permanent structure and should be disassembled & stored away after use.
2. Do not repack your gazebo until completely dry.
3. This Gazebo must be assembled by Four adults or more.
4. This Gazebo must not be left erect in windy conditions.
5. Loading limit of the hook is 45 lbs.
6. Loading limit of the ring is 25 lbs.
7. Loading limit of the glass side bar top is 33 lbs.

WARNINGS:

1. Assembly Instructions must be followed.
2. Pegs supplied must be used to hold this gazebo in place when upright.
 3. Warranty does not cover damage due to extreme weather conditions.
4. Do not use candles, matches or open flames of any kind in or near a tent.
5. Do not cook inside the tent.
6. Build campfires downwind and several meters away from a tent and be sure to fully extinguish campfires before leaving a campsite or before retiring for the night.
7. Exercise extreme caution when using fuel-powered lanterns or heaters inside a tent and use battery-operated lanterns whenever possible.
8. Do not refuel lamps, heaters or stoves inside a tent.
9. Extinguish or turn off all lanterns before going to sleep.
10. Do not smoke in a tent.
11. Do not store flammable liquids inside a tent.
12. KEEP ALL FLAME AND HEAT SOURCES AWAY FROM THIS TENT FABRIC. This tent is made of flame-resistant fabric. It is not fireproof. The fabric will burn if left in continuous contact with a flame source.