



16 in. Waterfall Spillway

ITEM #DWF16

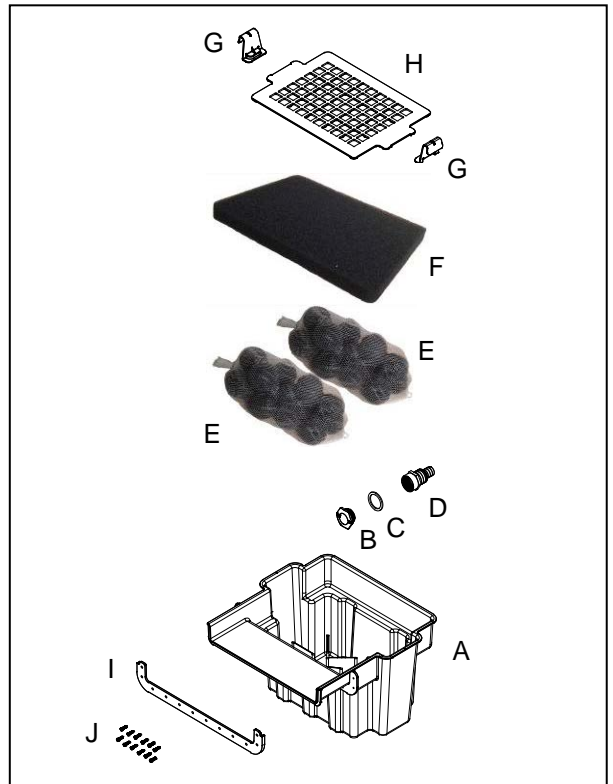
REMINDER
CALL 1-888-755-6750
BEFORE RETURNING TO STORE.



Questions, problems, missing parts? Before returning to your retailer, call our customer service department at 1-888-755-6750, 8 a.m.-6 p.m., EST, Monday-Friday, or email us at customer care@thepondboss.net. Or visit our website www.thepondboss.net.

PACKAGE CONTENTS

Part	Description	Quantity
A	Tank	1
B	Coupler	1
C	Gasket	1
D	Adapter	1
E	Bio media balls with bag	2
F	Filter pad	1
G	Clip	2
H	Cover	1
I	Anchoring Flange	1
J	Screw	12



PREPARATION

Before beginning assembly of product, make sure all parts are present. Compare parts with package contents list and diagram above. If any part is missing or damaged, do not attempt to assemble, install or operate the product. Contact customer service for replacement parts.

- Estimated Assembly Time: 45 minutes
- Tools required for assembly: Carpenter's level, marker, utility knife, temporary nail, philipshead screwdriver, hacksaw,.

PRODUCT DESCRIPTION

Waterfall spillway is specifically design to maximize the natural processes that remove ammonia from the water. Water pumped into tank brings the dissolved wastes into contact with bacterial colonies on the many surfaces of the filter pad and bio ball. These colonies digest, or metabolize the ammonia. Some types of bacteria turn it into nitrites; others take the still toxic nitrites and dissolved oxygen and turn them into less toxic nitrates, a natural fertilizer that is easily taken up by plants. When water filter and back into pond like a beautiful waterfall, it will help to aerate the water. When the proper balance of fish, plants and aeration is reached, you don't have to clean your pond for the entire season. This waterfall spillway is designed to work with a water pump that can circulate of 1200 to 3750 gallons per hour.



PLEASE CALL 1-888-755-6750 BEFORE RETURNING TO THE STORE.
WWW.THEPONDBOSS.NET

ASSEMBLY INSTRUCTIONS

1. Choose a location for your waterfall spillway, it can sit inside the liner or at the liner perimeter. Most of the time it is placed at the beginning of a stream. The important thing to remember is that all of the water coming out of the filter must stay within the pond liner to avoid water loss. Fig. 1

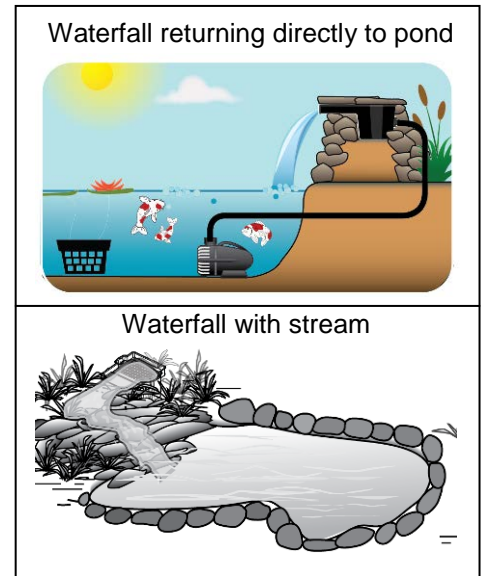


Fig. 1

2. Place the tank in the place that you prepared for it and check that it is level before burying. Fig. 2

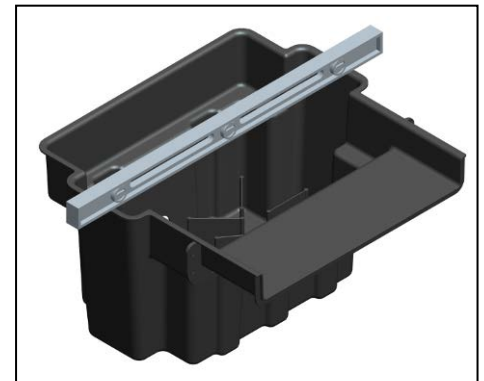


Fig. 2

3. Check the liner will sit freely up your tank without wrinkling or pulling. Carefully clean and rinse the liner inside and out with water, then dry it with paper towels or a clean cloth. The surface to be sealed must be clean and dry for the sealer to bond properly. Mark the liner with the shape of the spillway. A white or yellow marker works well to do this. Fig. 3

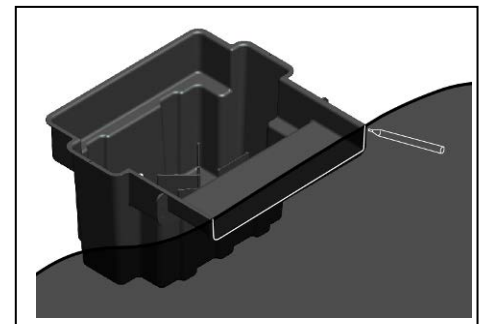


Fig. 3



- Carefully cut and remove the section of liner in the spillway opening. Fig. 4

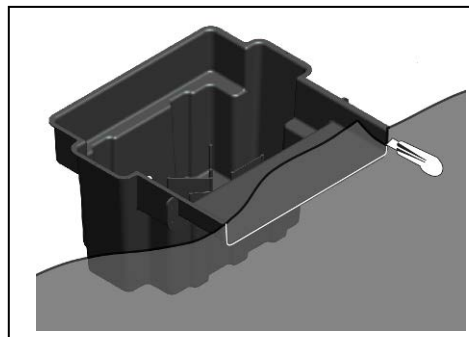


Fig. 4

- Apply a continuous 1/4" bead of sealer around the flange of tank. Make sure there are no spaces or voids in the bead between the holes and the edge of the cut-out on the flange of the tank. Fig. 5

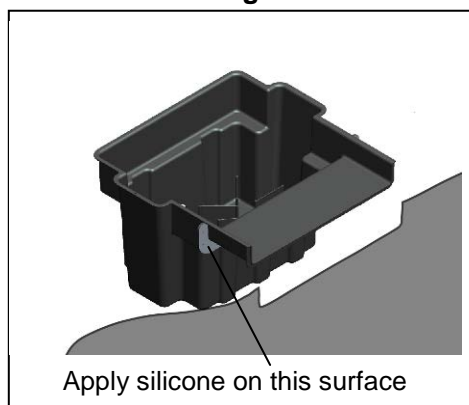


Fig. 5

- Align the liner on the flange of tank, make sure the liner sit flat on the flange of tank without wrinkling or pulling. Fig. 6

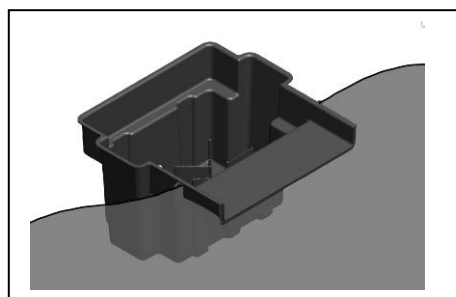


Fig. 6

- Insert 2 temporary nail into the flange top corner hole of tank, then holding the nails in place with hand, push the nail through the liner Fig. 7

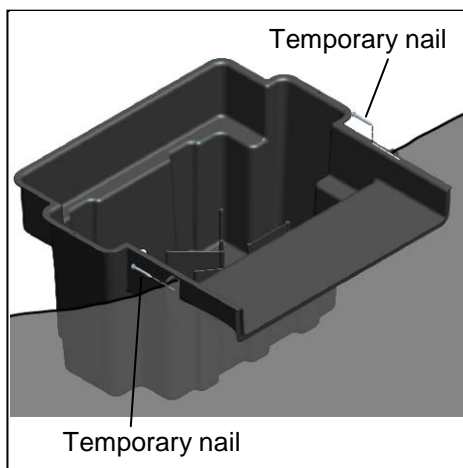


Fig. 7



8. Assembly the anchoring Flange into the tank flange to securely seal the liner to the tank, carefully install the screws snug, finally remove the temporary nails and attach the last two screw. Fig. 8

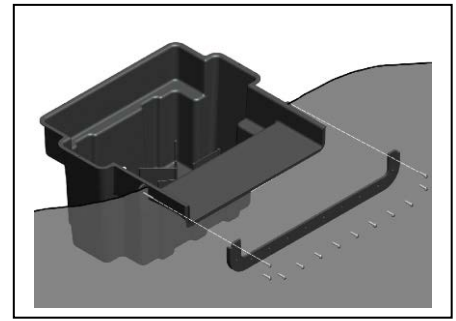


Fig. 8

9. For maximum water flow, it is recommended that the largest tubing size for your pump is used. If using 1 in. ID tubing, proceed to step 10. If using 1-1/2 in. ID tubing, cut the adapter as shown using a hacksaw. Fig. 9

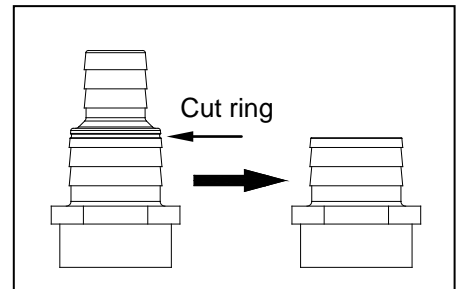


Fig. 9

10. Assembly coupler, gasket and adapter to tank. Fig. 10

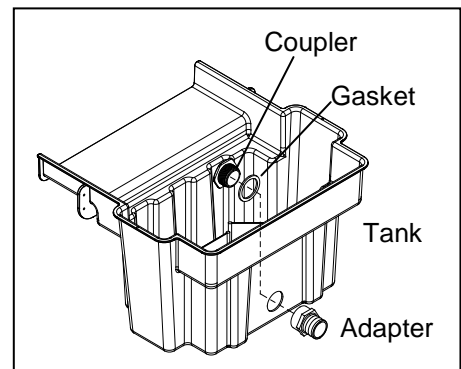


Fig. 10

11. Put bio media balls with bag inside tank Fig. 11

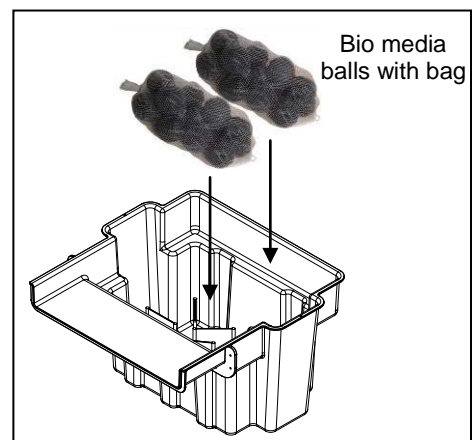


Fig. 11



12. Place the filter pad over bio media ball bags and tank. Fig. 12

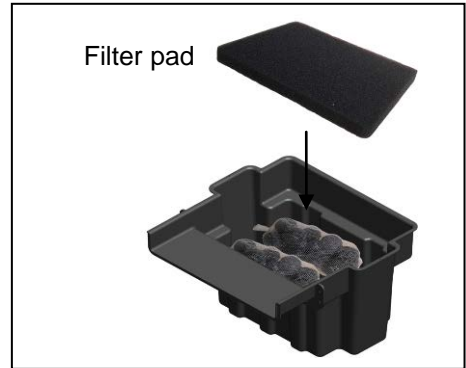


Fig. 12

13. Slide 2 clips to cover, then snap them to tank. Fig. 13

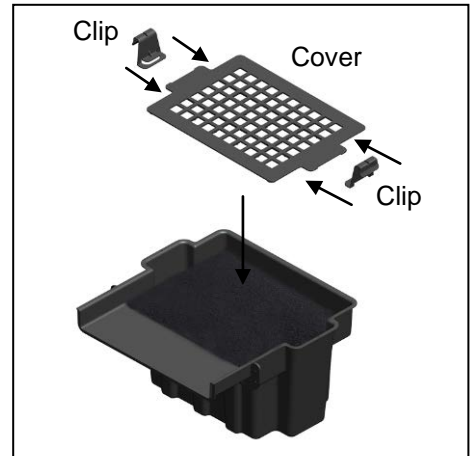


Fig. 13

14. Connect tubing to the outlet adapter, then use hose clamp hold it tight. Connect other side to your pump, and use hose clamp hold it tight too. Carefully cover the waterfall spillway and tubing with natural material for a professional look. Fig. 14

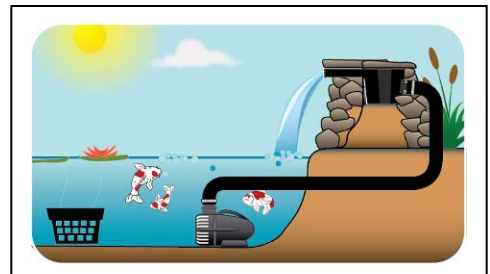


Fig. 14

15. Connect pump to a proper power source. Fig. 15

NOTE: Pump is NOT INCLUDED.

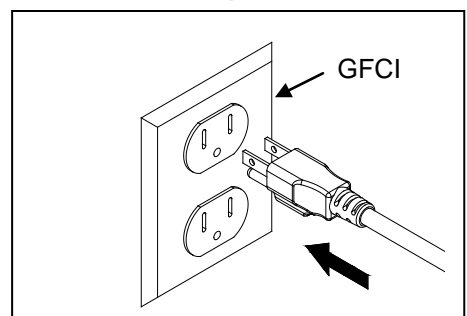


Fig. 15



PLEASE CALL 1-888-755-6750 BEFORE RETURNING TO THE STORE.
WWW.THEPONDBOSS.NET

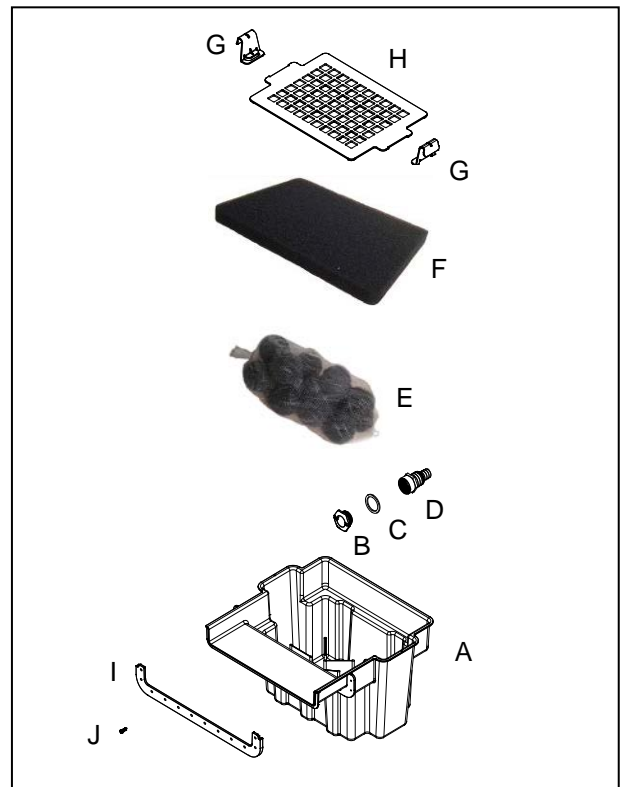
CARE AND MAINTENANCE

- Before cleaning, always disconnect the pump connect to this waterfall spillway from the power source.
- Occasional cleaning of the filter pads will be necessary to ensure the proper functioning of the system. The filter pad is a designed to trap debris and particles. Filter pads should be removed and washed with clean water when they are visibly soiled.
- Filter pads should be replaced annually. The exterior surface of the cover may also need occasional cleaning. Particularly if the openings in the top of the cover are obstructed. When cleaning the cover use warm water only. Do not use any chemicals that may destroy the beneficial bacteria.
- The bio media balls in you filter system and the inside surfaces of the waterfall spillway contain the beneficial bacteria. At least once a year the entire system should be disassembled and cleaned thoroughly using warm, soapy water (mild detergent). This should not be done during the warm season as it may take up to 8 weeks to re-establish the environmental balance. The best time of the year to “breakdown” your system is in early spring before the water temperatures begin to rise. This is also the ideal time to replace the filter pads.

REPLACEMENT PARTS LIST

For replacement parts, call our customer service department at 1-888-755-6750, 8 a.m.-6 p.m., EST, Monday-Friday, or email us at customer care@thepondboss.net.

Part	Description
A	Tank
B	Coupler
C	Gasket
D	Adapter
E	Bio media balls with bag
F	Filter pad
G	Clip
H	Cover
I	Anchoring Flange
J	Screw



Printed in China



PLEASE CALL 1-888-755-6750 BEFORE RETURNING TO THE STORE.
WWW.THEPONDBOSS.NET

LIMITED WARRANTY

All pumps and electrical products are warranted to the user against defective material and workmanship, under normal working conditions. This warranty period begins on the date of purchase by the original purchaser.

Unless otherwise specified all pond boss® electrical products are warranted to the user against defective material and workmanship, under normal working conditions for 1 year from the date of purchase.

- Pond and Waterfall pumps are warranted for 3 years.
- All pond boss® liners are warranted to the user against defective workmanship, under normal working conditions for 20 years from the date of purchase.
- All other pond boss® products are warranted to the user against defective material and workmanship, under normal working conditions for 90 days.

Application

Warranty covers only properly installed and maintained units. Any damage to the cord or modification to the unit will invalidate the warranty. Pump warranty is limited to applications pumping fresh water at temperatures between 41°F — 100°F, with a pH range of 5 — 9. Other liquid applications or extreme temperature uses must be approved in writing by the manufacturer. Receipt and product date code are required for warranty claims.

Warranty Claim

Warranty claims must be made by calling customer service (at 1-888-755-6750). If the item is determined to be defective, you will be given authorization to return the defective part(s), freight pre-paid, along with proof of purchase.

Disposition

The manufacturer will make a good faith effort for prompt disposition regarding all warranty claims. Returned product will be inspected to determine cause of failure before warranty is applied. Warranty does not cover any costs associated with the shipping, handling, installation or removal of products or parts subject to this warranty. For products damaged in transit, a claim should be filed with the carrier.

Disclaimer

Any oral statements made about the product by the seller, the manufacturer, the representatives, or any other parties do not constitute warranties, should not be relied upon by the user, and are not part of the contract for sale. The seller's and manufacturer's only obligation, and buyer's only remedy shall be for the manufacturer to either replace and/or repair at the manufacturer's sole discretion, the product as described above. Neither seller nor the manufacturer shall be liable for injury, loss or damages for lost profits, lost sales, injury to person or property, or any other incidental or consequential loss arising from any cause whatsoever, no matter whether based upon warranty, contract, negligence or other misuse, and the buyer and user agree that no other remedy shall be available to them. Before using, the buyer and user shall determine the suitability of the product for the intended use, and assume all risk and liability whatsoever in connection therewith. The warranty and remedy described in this limited warranty is an exclusive warranty and remedy in lieu of any other warranty or remedy expressed or implied. All other warranties and remedies are hereby expressly excluded, including but not limited to any implied warranty of merchantability of fitness for any particular purpose. This warranty gives the buyer and user specific legal rights, and buyer and user may also have other rights which vary from state to state. Some states do not allow exclusions or limitations of incidental or consequential damages, so the above limitations or exclusions may not apply to you.

REMINDER
CALL 1-888-755-6750
BEFORE RETURNING TO STORE.



PLEASE CALL 1-888-755-6750 BEFORE RETURNING TO THE STORE.
WWW.THEPONDBOSS.NET