

Bradford

Model # 5817

Bradford Mail Post



DESCRIPTION

Mayne's pedestal style mail post. The Bradford Mail Post offers you a perfect blend of beauty and function. A great fit for mailboxes with front and back doors to avoid walking onto the street to retrieve your mail.

- Weather resistant, low maintenance material
- Installs easily over a standard 4x4 wood post
- Small or medium mailboxes recommended
- 100% high-grade polyethylene with built in UV inhibitors
- Warranty: 15-Yr Residential Use / 5-Yr Commercial Use

PRODUCT DIMENSIONS

Outside Dimensions: 7.5in L x 7.5in W x 42in H (19.1cm x 19.1m x 106.7cm)

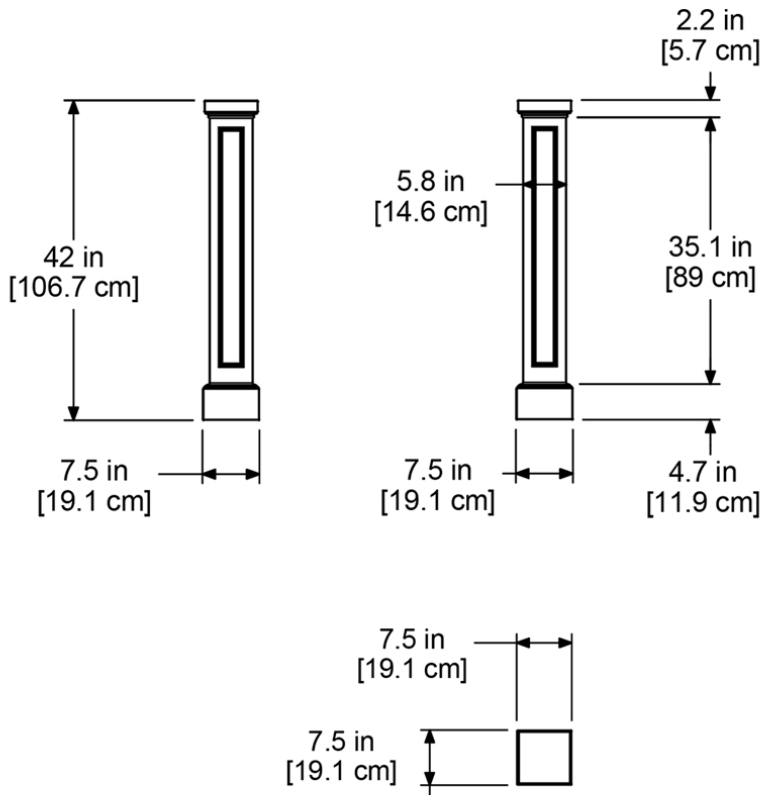
Wall Thickness: 0.125in (3.17mm)

Part Weight: 6.5lbs (3kg)

Material: Polyethylene

Contents: Post

Note: 4x4 wood post, mailbox, and mailbox mounting hardware NOT included



MAYNE[®]
Outdoor Products of Distinction

7024 Kilbourne Rd - Unit A London, ON N6P 1K6
Tel: 866-363-8834 | www.gomayne.com
customerservice@gomayne.com