

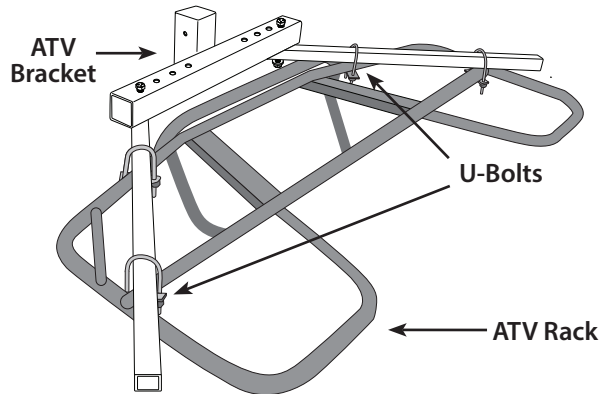


Assembly Instructions for Manual and Electric Gate Spreaders

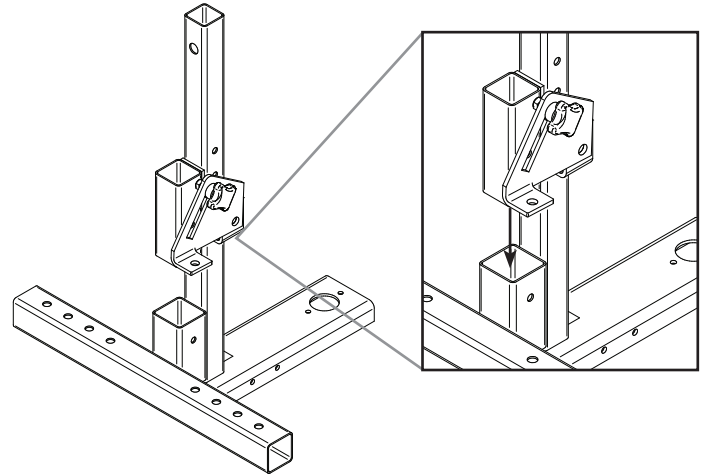
THANK YOU for your purchase of the Moultrie Manual or Electric Gate Spreader. Please read this sheet before using the unit. If you should have any questions about this product or any other Moultrie product, please contact us using the information on the back of this sheet. Please register your feeder at www.moultriefeeders.com/warranty to activate your 1-year warranty.

A MOUNTING BRACKET TO ATV RACK

Assemble ATV Bracket using 2 of the predrilled options and 2 3/8" x 4" bolts and nuts at 4 different intersecting points on rack and bracket. Mount to ATV Rack using the included (4) U-bolts.

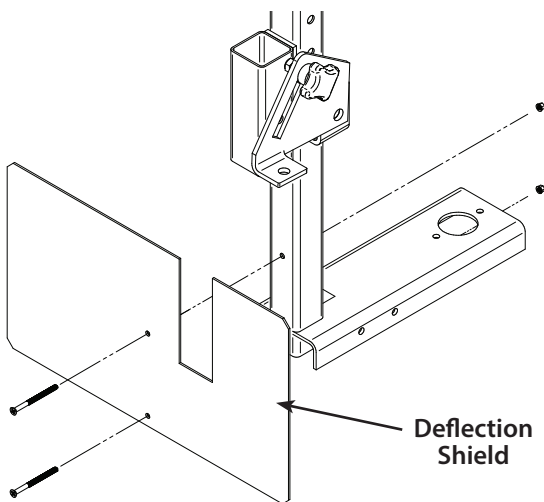


Insert Spine into mounted ATV Bracket or UTV/Truck Bracket (accessory, sold separately).



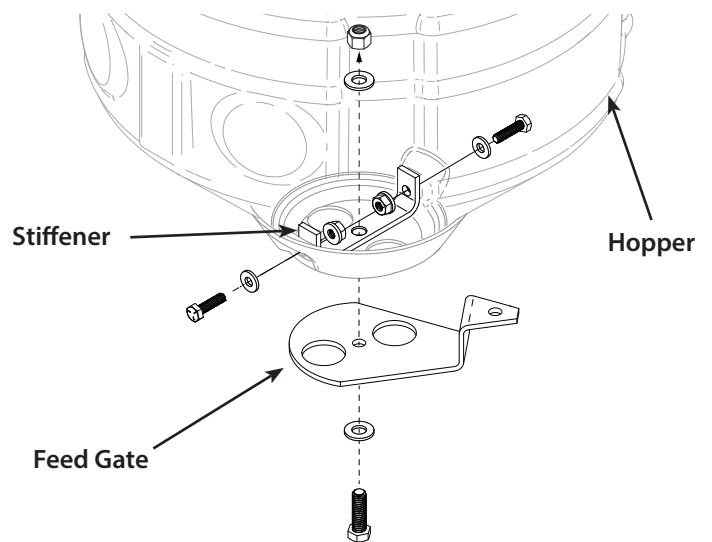
B MOUNTING DEFLECTION SHIELD AND FEED GATE

Attach Deflection Shield using (2) 8/32 x 2.25" bolts and nuts (note bolt orientation).



NOTE: This step for Manual Gate ONLY

Attach Stiffener to inside Hopper base using (2) 1/4 -20 x 1" bolts, washers and nuts. Attach Feed Gate to Hopper using (1) 3/8 x 1 3/4" bolt and nut (be careful not to over-tighten).



NOTE: If assembling an ATV Food Plot Spreader Electric Gate proceed to Section C to attach hopper to the spreader spine.

C ATTACH HOPPER TO SPINE

- 1** Attach (2) Belly Bands with elongated tabs pointed down to spine using (1) 5/16 x 2.5" (partially-threaded) bolt and nut and (1) 5/16 x 3" (fully-threaded) bolt and nut.
- 2** Insert assembled Hopper (with Lid removed) into Belly Bands. (Image A)
- 3** Attach Hopper to spine using stainless steel Eye Bolt, ATV Washer (large curved plate), and Nut. (Image B)
- 4** Connect Belly Bands using the 5/16 x 3" fully-threaded bolt and 3/4" spacer (tighten until there is no space between bands and spacer). (Image C)

NOTE: If assembling an ATV Food Plot Spreader Electric Gate proceed to Section E to mount the motor and spin plate.

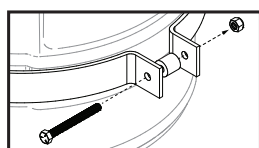


Image C

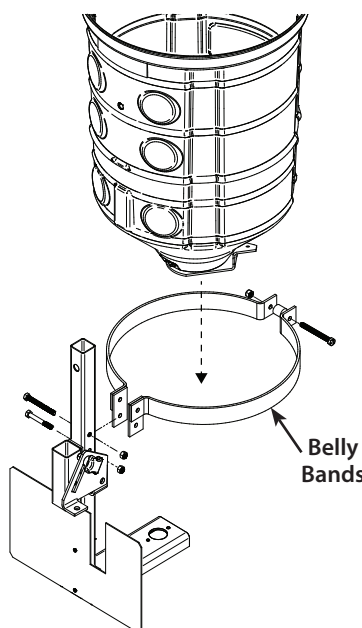


Image A

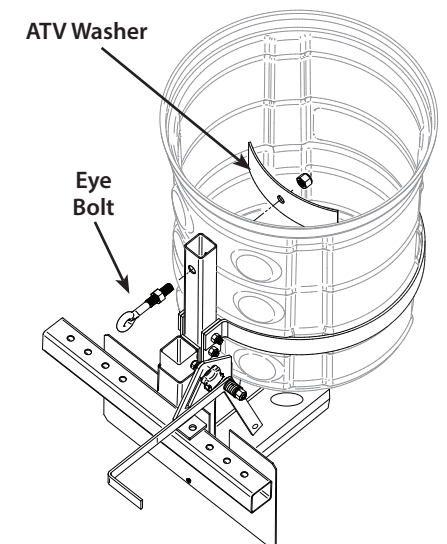
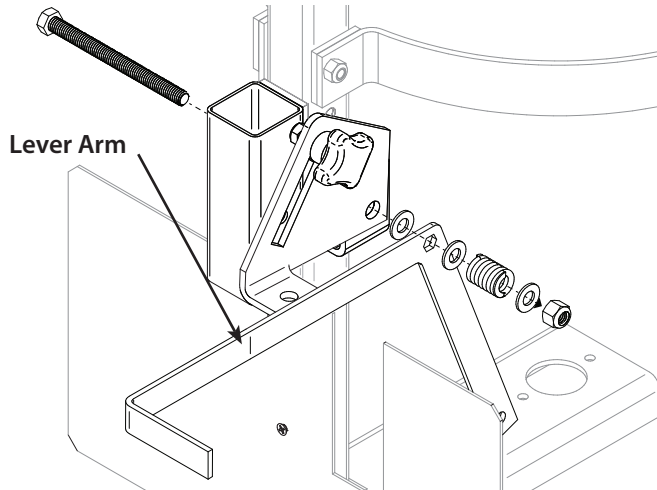


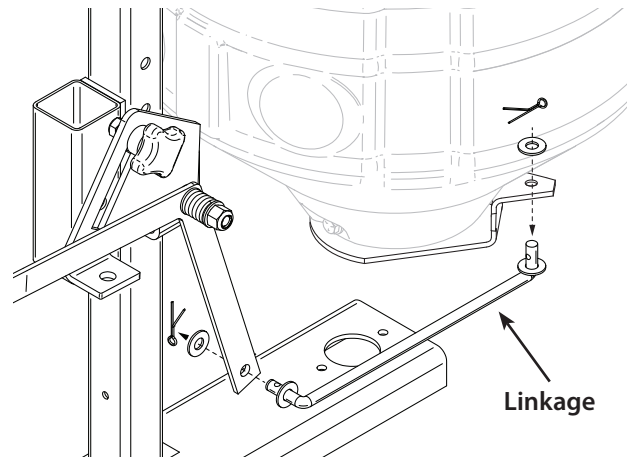
Image B

D**ATTACHING LEVER AND LINKAGE**

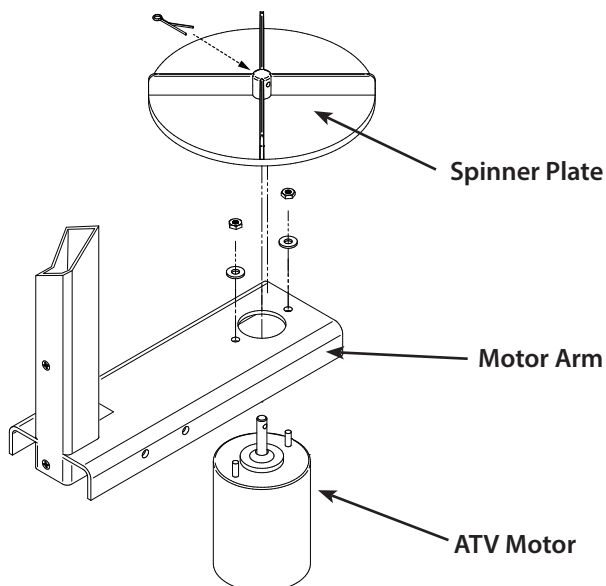
Attach **Lever Arm** to **Spine** using 3/8" x 4.5" bolt, (3) 3/8" washers, spring and nylon nut. Be sure to tighten until spring is fully compressed.



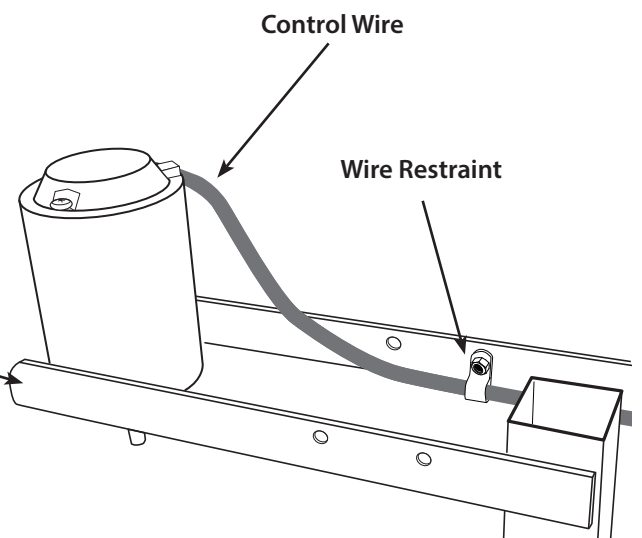
Attach **Feed Gate** to **Linkage** using washer and cotter pin, then attach complete linkage to **Lever Arm** using washer and cotter pin.

**E****ATTACH SPIN PLATE AND MOTOR**

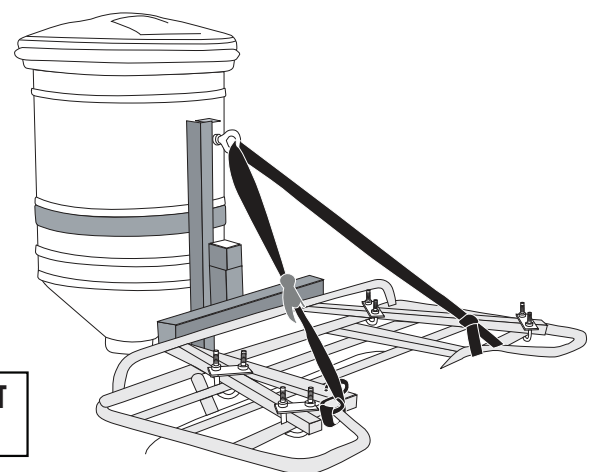
Insert **ATV Motor** through holes in the **ATV Motor Arm**. Motor should be rotated so that the **Control Wire** runs toward the ATV. Fasten nuts and washers securely. Secure **Spinner Plate** with included cotter pin.



Install plastic **Wire Restraint** on any of the back 4 holes in the **ATV Motor Arm**. The **Wire Restraint** should be routed with the **Control Wire** located inside the **ATV Motor Arm**. Use included bolt and nut to secure **Wire Restraint** to the **Motor Arm**.

**F****ATTACH RATCHET STRAP**

Thread provided **Ratchet Strap** through eyebolt on back of **Spreader Spine**. Place **Ratchet Strap** S-hooks around the front of your **ATV rack** (close to seat). Adjust tension on **Ratchet Strap** until firm. Tie off excess strap in a safe place. (See **Section B-4** of Operating Instructions.)



FAILURE TO PROPERLY CONNECT AND MONITOR THE RATCHET STRAP MAY RESULT IN DAMAGE TO THE ATV OR SPREADER

MOULTRIE

Our Service Department will gladly answer any questions you have.
Call **800-653-3334**, Monday - Friday, 8:00 AM to 5:00 PM CST.
www.moultriefeeders.com

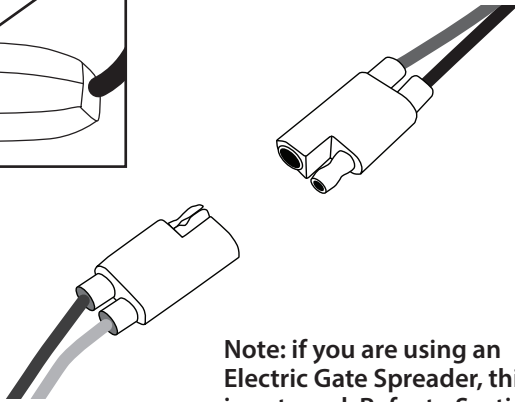
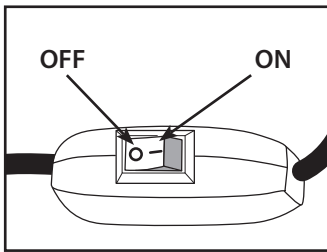


Operating Instructions for Manual and Electric Gate Spreaders

THANK YOU for your purchase of the Moultrie Manual or Electric Gate Spreader. Please read this sheet before using the unit. If you should have any questions about this product or any other Moultrie product, please contact us using the information on the back of this sheet. Please register your feeder at www.moultriefeeders.com/warranty to activate your 1-year warranty.

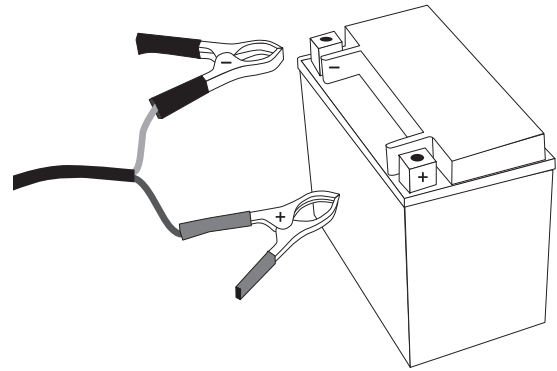
A CONNECTING POWER CABLE (MANUAL GATE)

Make sure the power switch is in the **OFF** position. Plug the motor power cord into the motor pigtail.



Note: if you are using an Electric Gate Spreader, this step is not used. Refer to Section C for connecting instructions.

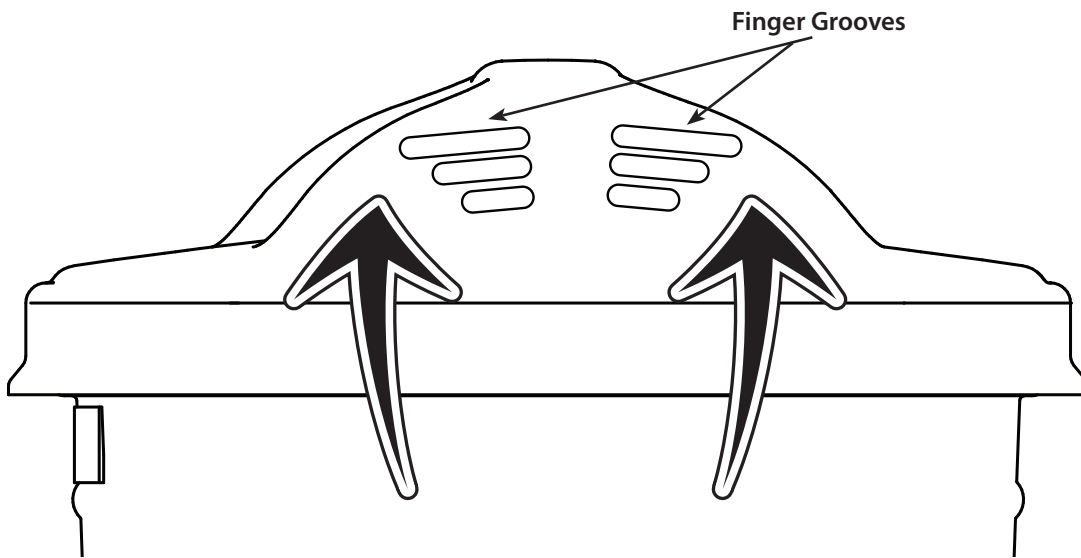
Make sure the power switch is still in the **OFF** position. Attach the alligator clips to your ATV's battery or plug the lighter plug into your ATV's 12-volt accessory receptacle (if so equipped).



CAUTION: WEAR EYE PROTECTION

B ADDING MATERIAL AND ADJUSTING STRAP

1 Remove lid by placing both hands under the lip of the lid with fingers in the finger grooves. Press upward to remove lid.



2 If using a Moultrie Spreader Screen, make sure it is installed securely, funnel side toward the bottom of the spreader. This heavy-duty plastic Spreader Screen filters and breaks up clumps to prevent clogs. To purchase this accessory or if you have any questions, please visit www.moultriefeeders.com.

3 Add desired material such as feed, fertilizer, seed, etc. to hopper and attach lid.

4 With the material loaded, verify that **Ratchet Strap** is tight enough to hold the hopper body perpendicular to the ATV rack. Tighten as necessary. (See **Section F** of Assembly Instructions.)

C CONNECTING HAND CONTROL (ELECTRIC GATE)

Plug the white connector found on the end of the long wire exiting the Hand Control into the mating connector on the Feedgate.

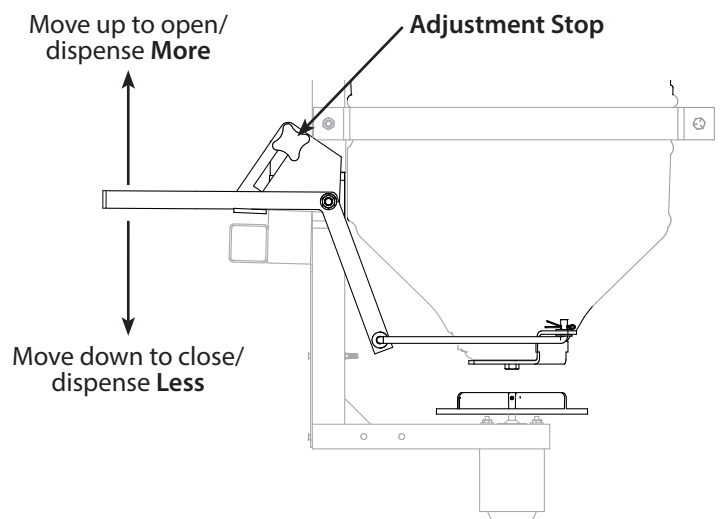
The black connector found on the end of the long wire exiting the Hand Control connects to the mating connector on the Spin Motor.

Plug the lighter plug into your ATV's accessory receptacle.

D

ADJUSTING MATERIAL AMOUNT & OPERATING UNIT (MANUAL GATE)

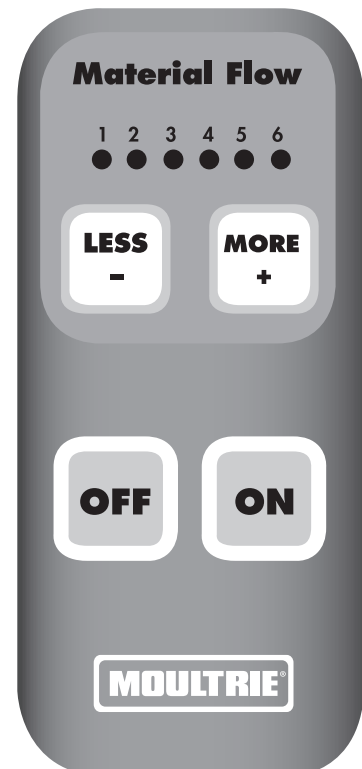
- 1 Turn the Motor Switch to the ON position.
- 2 To spread material, move the Spreader's Lever Arm up to **open** the feedgate and move the arm down to **close**. Reposition **Adjustment Stop** to set desired Lever position.



E

CALIBRATING AND OPERATING UNIT (ELECTRIC GATE)

- 1 **CALIBRATE:** To assure proper operation, the ATV Spreader should be calibrated each time it is first connected to the ATV. Calibration should be performed with the ATV running.
To calibrate, hold the OFF button and press the ON button momentarily. While in calibration mode, the lights will flash rapidly. Once calibration is complete, the lights will go out and the gate will close. The unit is now ready for operation.
- 2 **SET DISPENSING AMOUNT:** The "1" position is the minimum amount and the "6" position is the maximum amount of material flow. Press the MORE or LESS button to achieve the desired opening amount. The Material Flow amount light flashes when the unit is not running and is on solid when the unit is running.
- 3 **SPREAD MATERIAL:** To spread material, press the ON button while moving at a constant rate. While ON, the MORE or LESS buttons may be pressed to achieve the desired material flow rate. To stop the unit, press the OFF button.



F

CLEANING AND STORING UNIT

NOTE: FERTILIZER IS EXTREMELY CORROSIVE.

After spreading material, completely wash and dry ATV Spreader. A light coat of oil on all metal parts and motor will help prevent rusting and corrosion.

G

HELPFUL TIPS & POINTERS

(Q) What is the best way to set the dispensing amount?

(A) Set the adjustment stop or controller setting to the position you feel will provide the best coverage for the material being used. Turn on Spreader and open the feed gate. Spread material for about 20 feet and then walk back to verify coverage. Reposition Adjustment Stop as needed.



Our Service Department will gladly answer any questions you have.
Call **800-653-3334**, Monday - Friday, 8:00 AM to 5:00 PM CST.
www.moultriefeeders.com