

## D IMPORTANT INFORMATION

### Moultrie Limited Warranty

This product has been thoroughly tested and inspected before shipment. It is guaranteed from defects in material and workmanship from the date of purchase for 1 year. Under this limited guarantee we agree to replace or repair free of charge any part or parts which have been found to be defective in original material or workmanship. Should you require in-warranty service, call our Customer Service Department. If your problem cannot be addressed over the telephone, we may need you to send us your defective product plus proof of purchase.

You must register your tablet at [www.moultriefeeders.com/warranty](http://www.moultriefeeders.com/warranty) to activate your 1-year warranty.

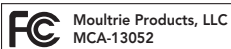
### Troubleshooting

Please visit [www.moultriefeeders.com/contact-us](http://www.moultriefeeders.com/contact-us) for troubleshooting and helpful tips.

### Returns and Repairs

Please visit <http://www.moultriefeeders.com/return-policy> and complete the form or our Service Department will gladly answer any questions you have. Call 800-653-3334, Monday - Friday, 8:00 AM to 5:00 PM CST.

### FCC Statements



### Field Tablet

Note: changes and modifications not expressly approved by the party responsible could void the user's authority to operate this device.

This device complies with Part 15 of the FCC Rules. Operation is subject to the following two conditions: (1) This device may not cause harmful interference, and (2) this device must accept any interference received, including interference that may cause undesired operation.

NOTE: THE MANUFACTURER IS NOT RESPONSIBLE FOR ANY RADIO OR TV INTERFERENCE CAUSED BY UNAUTHORIZED MODIFICATIONS TO THIS EQUIPMENT. SUCH MODIFICATIONS COULD VOID THE USER'S AUTHORITY TO OPERATE THE EQUIPMENT.

NOTE: This device complies with the limits for a Class B digital device, pursuant to Part 15 of the FCC Rules. These limits are designed to provide reasonable protection against harmful interference in a residential installation. This device generates, uses, and can radiate radio frequency energy and, if not installed and used in accordance with the instructions, may cause harmful interference to radio communications. However, there is no guarantee that interference will not occur in a particular installation. If this device does cause harmful interference to radio or television reception, which can be determined by turning the equipment off and on, the user is encouraged to try to correct the interference by one or more of the following measures:

- Reorient or relocate the receiving antenna.
- Increase the separation between the equipment and receiver.
- Connect the equipment into an outlet on a circuit different from that to which the receiver is connected.
- Consult the dealer or an experienced radio/TV technician for help.



[www.moultriefeeders.com](http://www.moultriefeeders.com)

PRADCO Outdoor Brands • 3280 Highway 31, Ste B • Calera, AL 35040

06172016 • MCA-13052

# MOULTRIE®

## Instructions for Field Tablet

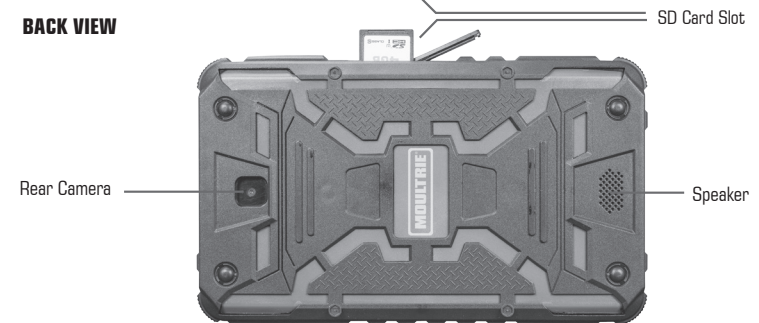
THANK YOU for your purchase of your Moultrie Field Tablet. Please read this booklet before using the unit. If you should have any questions about this product or any other Moultrie product, please contact us using the information on the back of this booklet. Please register your camera at [www.moultriefeeders.com/warranty](http://www.moultriefeeders.com/warranty) to activate your 1-year warranty.

## A TABLET OVERVIEW

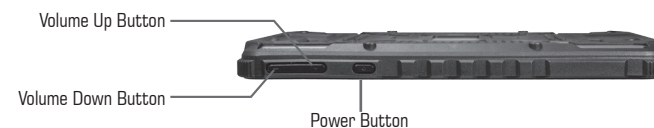
### FRONT VIEW



### BACK VIEW



### SIDE VIEW



Moultrie Field Tablet

Page 1

## B SAFETY INSTRUCTIONS

### Warnings

If the tablet is accidentally exposed to excessive moisture or completely submerged, immediately power off device, wipe dry and allow to air dry before powering back on.

If the need to clean the tablet arises, clean all surfaces other than the screen with a damp cloth, then dry thoroughly. To clean the screen, use a dry microfiber cloth to gently wipe down.

This tablet coupled with the outer protective shell is impact resistant, but care should be taken to prevent the device falling from great heights. Removal of the outer shell will greatly reduce the impact resistance and is not recommended.

Do not leave the tablet in excessive heat such as in a car or in direct sunlight as high temperatures could cause the tablet to malfunction.

Do not leave the tablet near strong magnetic or radio fields.

Do not open the cover of the tablet as this will expose the sensitive electronics and will void your warranty.

Avoid using anything with a sharp end to touch the screen as these can cause scratches.

Do not put heavy pressure on the screen as it may damage or break the screen.

If the touch screen breaks, avoid contact with internal liquid that could leak from the device. If contact with liquid from the display occurs, please use water to clean it off and consult with your doctor and/or poison control.

### Battery and Charging

Only use the charger included with your Field Tablet to charge the device.

Before connecting to an electrical outlet, ensure the plug is not damaged and is good working order to avoid electric shock.

Do not plug the charger into an outlet near water or with wet hands.

Outlet used to charge device should be 110-120 VAC @ 50-60 Hz – improper voltage and current could damage the tablet.

## C GETTING STARTED

### Power ON

Press and hold the power button for 3 seconds to turn on the tablet. The tablet comes by default with a swipe to unlock feature. To change the unlock method, go to **Settings > Security** to set your preferred unlock method.

### Power OFF

To turn off the tablet, press and hold the power button for 2 seconds. A confirmation window will pop up on the screen, confirm power off and device will shut down. To save battery, it is recommended to power off the tablet when not in use for longer periods of time.

## D APPLICATIONS

### External Sources

Applications can be installed from websites or other external sources such as SD cards. To enable application support from external sources, go to **Settings > Application Settings** and check unknown sources.

### Google Play

Applications can be installed easily through google play. Simply click the google play icon in your applications page and sign into your google account if you haven't done so already. Navigate to the application you want and press install.

## E PICTURES

The Moultrie Field Tablet supports BMP, JPG, JPEG and PNG picture formats. Pictures can be accessed through the Gallery application, or using your favorite file manager or other picture management application.

## F FULL SIZE SD CARD SLOT

The Field Tablet comes standard with a full-size SD card slot to allow easy access to your favorite Moultrie Game Camera pictures. Simply remove the dust cover from the SD card slot and insert your camera SD card.

The **File Manager** application should automatically detect the inserted SD card and open, if not, simply open the application from your application homepage and select "External Memory" to view your pictures.

## G CAMERAS

The Moultrie Field Tablet is equipped with both front and rear facing 0.3MP cameras. To access the camera, simply tap on the camera icon to open.

## H GENERAL USE

For general usage tips, please refer to the Android Quick Start guide located at <http://www.androidtabletpcsupport.com/wp-content/Android-Quick-Start-Guide.pdf>