



## TS-2452LR 24" X 52" STEEL LAWN ROLLER



READ AND FOLLOW ALL SAFETY RULES AND OPERATING  
INSTRUCTIONS BEFORE USING THIS EQUIPMENT

# ***Safety Rules***



**This is the safety alert symbol. It is used to alert you to potential personal injury hazards. Obey all safety messages that follow this symbol to avoid possible injury or death.**

Read and understand all safety rules and operating instructions before using this tractor attachment.

Follow all safety rules and operating instructions provided by your tractor's manufacturer when using attachment.

Never allow children or untrained persons to operate vehicle or attachment.

Do not carry passenger on vehicle or attachment.

Avoid sudden turns or maneuvers.

Do not remove warning decals from product.

Do not tow attachment on public roadways.

Check product for worn, loose or damaged parts before each use. If any damage is present, repair the product before using.

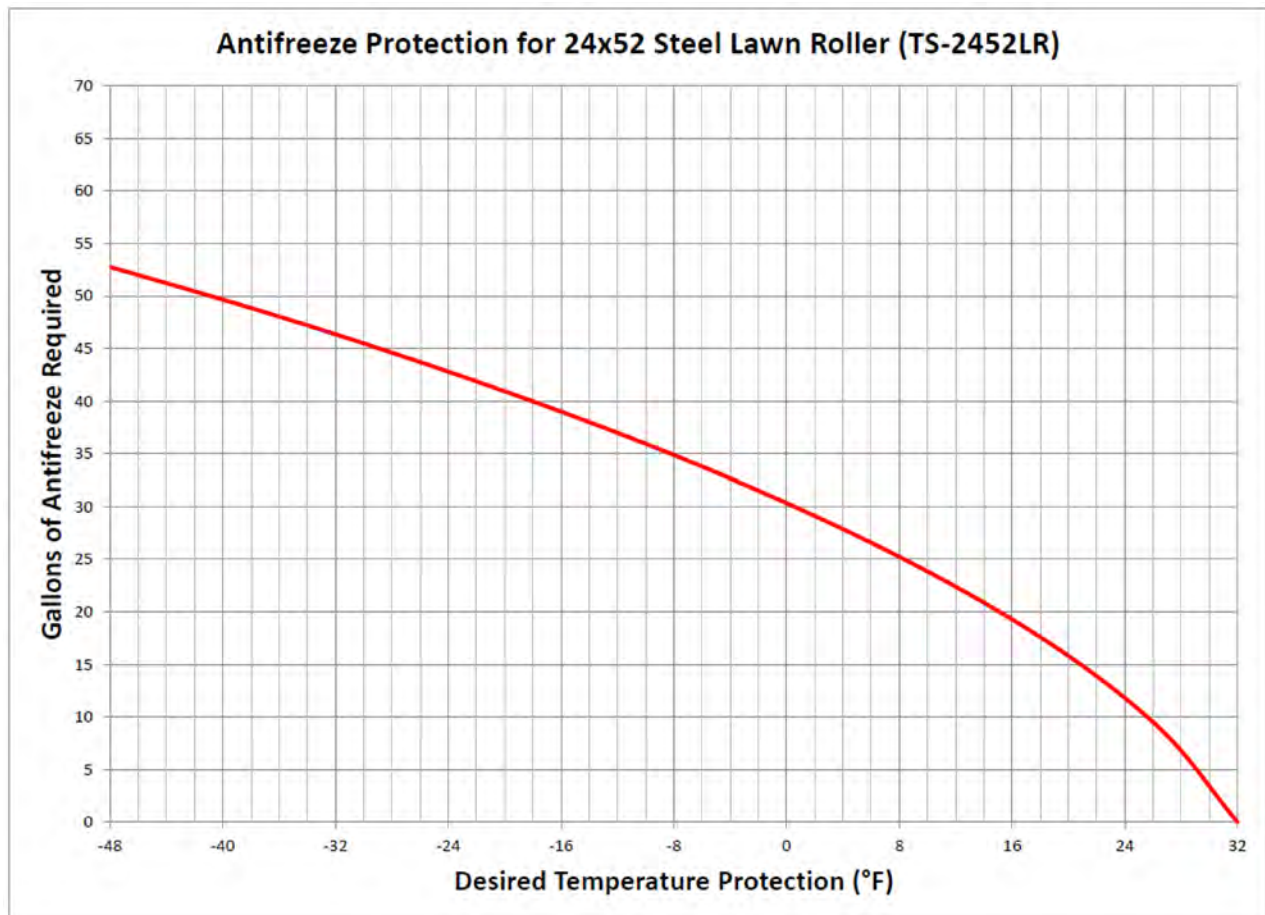
Check product for loose or missing fasteners before each use. Tighten or replace fasteners as needed before using.

# Operating Instructions

## Before Using Lawn Roller:

Read all Safety Rules found on page 1.

Though most rollers are filled with water, we recommend adding Ethylene Glycol Anti-Freeze with the water. This will protect the tank from damage during cold weather. It is also recommended that the anti-freeze used, contain a rust inhibitor to protect the inside of the tank against rust. If the roller is filled with water only, it must be drained whenever the temperature drops below 32 degrees F. (0 degrees C). The roller weighs approximately 920 pounds when filled. Safe disposal of the antifreeze is recommended. Please follow the Anti-Freeze manufacturers warnings and disposal methods.



# Warranty

If this product fails due to a defect in material or workmanship within TWO YEARS from the date of purchase, we will at our option repair or replace it free of charge. This warranty excludes the bearing which is expendable and becomes worn during normal use.

This warranty does not cover:

- Repairs necessary because of operator abuse or negligence
- Equipment use for commercial or rental purposes.
- Paint that is worn or faded due to normal use or exposure.

To arrange for product repair visit [ohiosteel.com/partsstore](http://ohiosteel.com/partsstore) and fill out the warranty repair form. You can also call 1-800-652-2321 to speak to our Customer Service Team, or return this product to place of purchase for replacement.

This warranty gives you specific legal rights, and you may also have other rights which may vary from state to state. This Warranty applies only while this product is in use in the United States.

In the space below record the purchase date of your Lawn Roller.

Model Number: TS-2452LR

Purchase Date: \_\_\_\_\_

Retailer/Dealer: \_\_\_\_\_

Purchase Price: \_\_\_\_\_

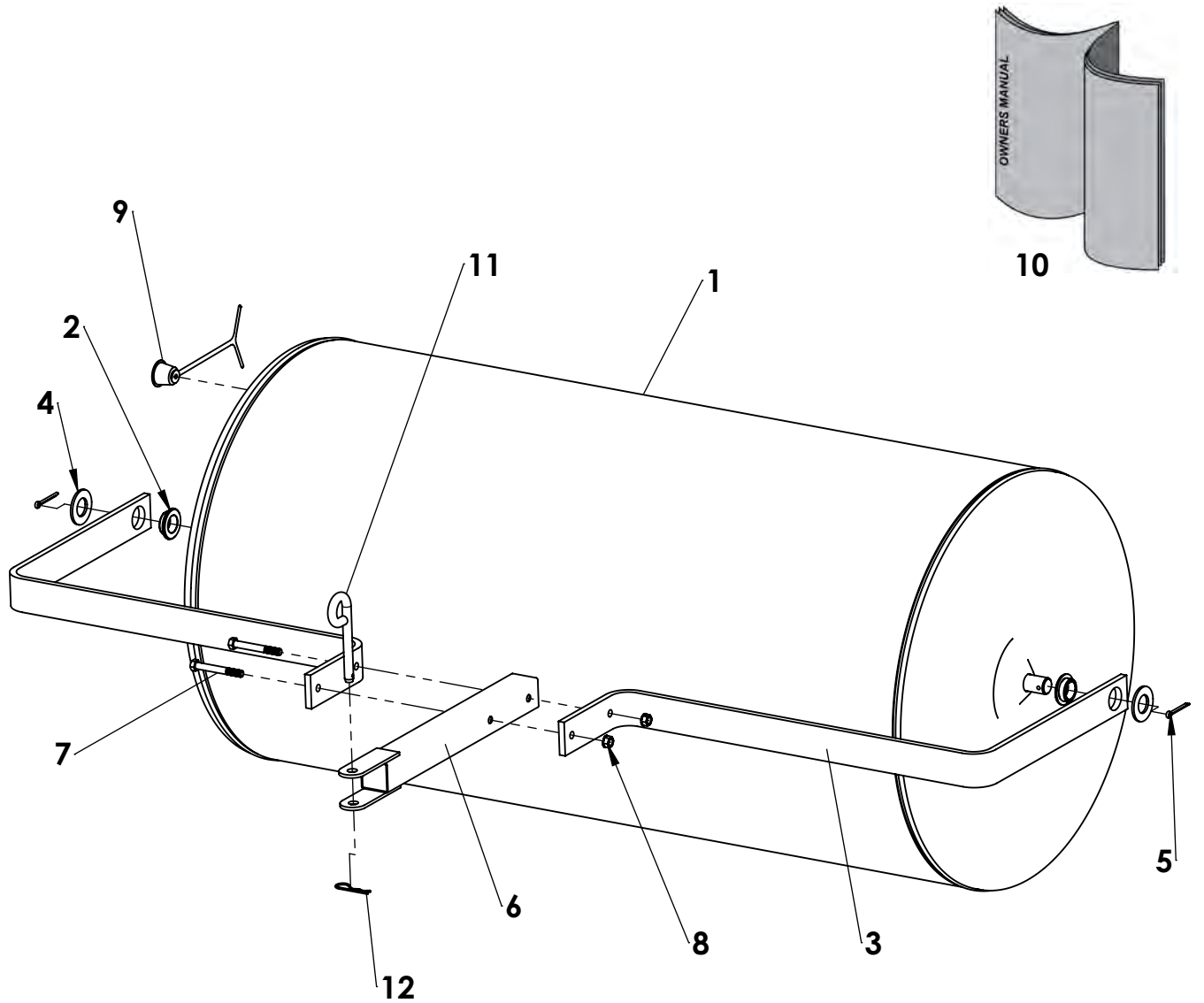
Keep this Owner's Manual and your receipt in a safe place for future reference.

After the two year warranty period all replacement parts may be ordered at [ohiosteel.com/partsstore](http://ohiosteel.com/partsstore) or by calling **1-800-652-2321**.

When ordering replacement parts, always give the following information:

- Product: 24" X 52" STEEL LAWN ROLLER
- Model Number: TS-2452LR
- Part Number: \_\_\_\_\_
- Part Description: \_\_\_\_\_

# Exploded View



ITEM	PART NO	DESCRIPTION	QTY
1	504001	ROLLER BODY	1
2	304281	FLANGED BEARING	2
3	6000571	SIDE BAR ASSEMBLY (incl. 304281)	2
4	300076	1" AXLE WASHER	2
5	300087	COTTER PIN	2
6	6003900	ROLLER HITCH WELDMENT	1
7	300055	HEX BOLT, 3/8"-16 x 3"	2
8	300063	NUT 3/8"-16 KEPS	2
9	50401	PLUG ASSEMBLY	1
10	6004233	OWNER'S MANUAL	1
11	6000533	HITCH PIN (not included)	1
12	300084	HAIRPIN COTTER, 0.093" X 2-5/16"	1

# **OHIO**STEEL INDUSTRIES

Designed And Tested In Columbus, Ohio

Manufactured In The U.S.A. From Domestic  
and Imported Components



**MODEL # TS-2452LR**

2575 Ferris Road Columbus, OH 43224  
(800) 652-2321

*www.OHIOSTEEL.com*

(800) 652-2321