

Cub Cadet[®]

AIR FILTER with PRE-FILTER

FITS CUB CADET OHV ENGINE SERIES 382 cc



937-05129*

737-05129*

* For parts starting with
937-05129() / 737-05129()



Cub Cadet®

AIR FILTER with PRE-FILTER

⚠ CAUTION:

Disconnect spark plug wire before working on equipment. Be certain engine is cold.

IMPORTANT:

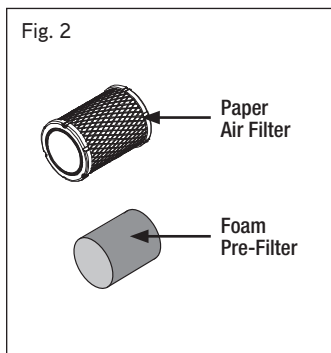
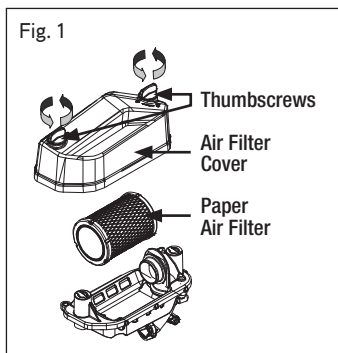
Do not use on engines other than those specified.

HOW TO INSTALL:

1. Unscrew the thumbscrews and remove the air filter cover. See Fig. 1.
2. Remove the old paper air filter and foam pre-filter. Please dispose of properly.
3. Attach the new paper air filter with the new foam pre-filter. See Fig. 2.
DO NOT oil the new paper air filter or the new foam pre-filter.
4. Align the hole in the air filter assembly with the intake manifold.
5. Attach the air filter cover, making sure to align plastic rib features on the shroud to the plastic features on the air filter cover. Turn thumbscrews clockwise until snug. Check for any misalignment.
6. Reconnect spark plug wire.

FILTER SHOULD BE REPLACED EACH SEASON.

NOTE: Consult operator's manual for replacement instructions specific to your equipment.



645-83034

490-200-C070

DISTRIBUTED BY:

Cub Cadet
P.O. Box 368023
Cleveland, OH 44136-9723
C.O.O.: China

