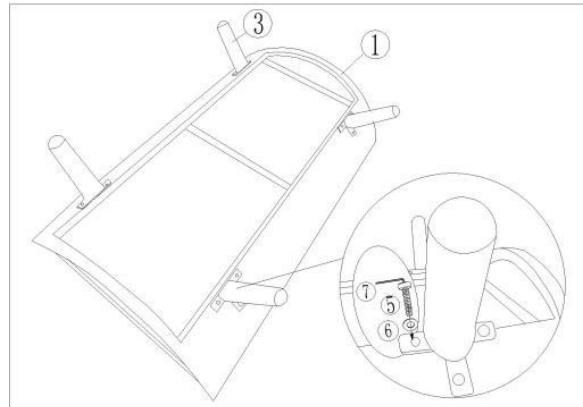
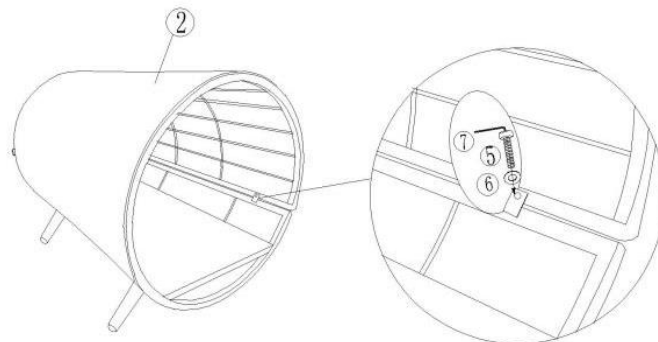


**52513 - Rattan Cylinder Pet Cage**

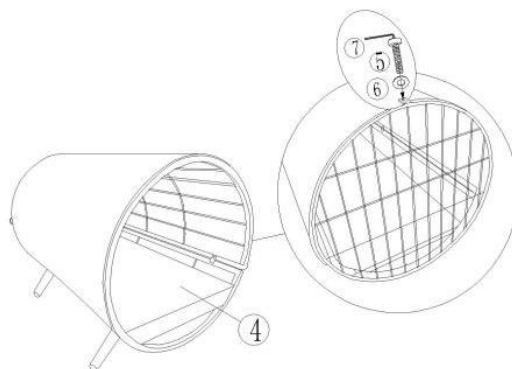


**Step One:** Turn bottom part of the cage (part 1) upside down, as shown in the image above.

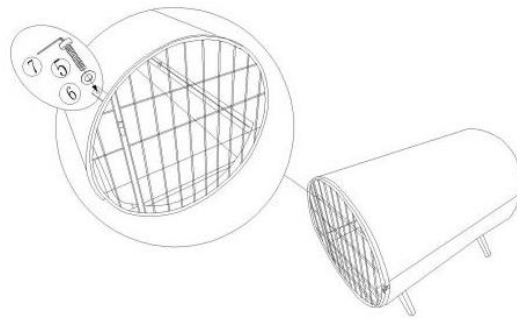
**Step Two:** Insert washers (part 6) into the screws (part 5), and using Allen key (part 7) attach the legs to bottom part of the cage (part 1), as shown in the image above.



**Step Three:** Turn the bottom part (part 1) to rest on the legs on the floor. Place the top part (part 2) on the bottom part (part 1). Insert washers (part 6) into the screws (part 5), and using Allen key (part 7) attach both halves to form a cylindrical shape, as shown in the image above.



**Step Four:** Insert washers (part 6) into the screws (part 5), and using Allen key (part 7) attach the back grill to the body.



**Step Five:** Insert washers (part 6) into the screws (part 5), and using Allen key (part 7) attach the front door to the body as shown in the image above.

**Spare parts include:**

5	 M6 x 20mm	21PCS
6		21PCS
7		1PCS