



# Solar Generator 1800 Trolley Installation Guide

Thank you for purchasing Solar Generator 1800 Trolley, With convenient click & go design, moving Solar Generator 1800 around becomes never so easy.

Please carefully read ALL below instructions during installation.



**Caution: Risk of injury**

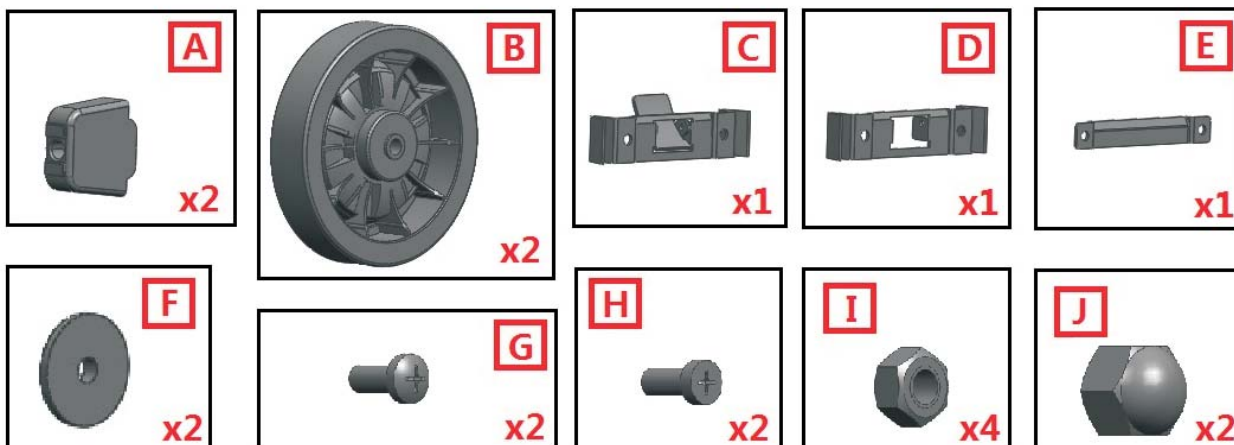
To avoid muscle strain or back injury, use lifting aids and proper lifting techniques when moving the unit.

## INSTALL the Trolley to Solar Generator 1800



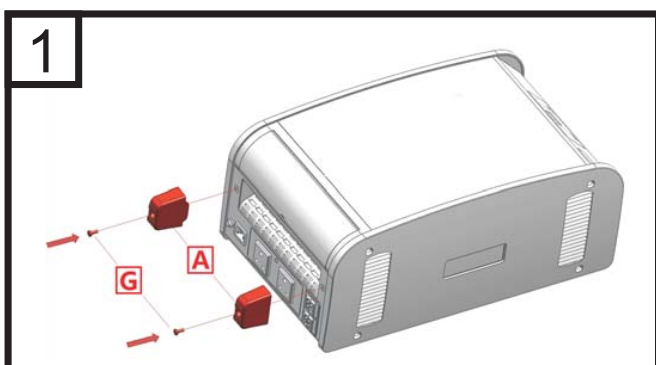
A wrench and Phillips screwdriver are needed during installation.

### Components List

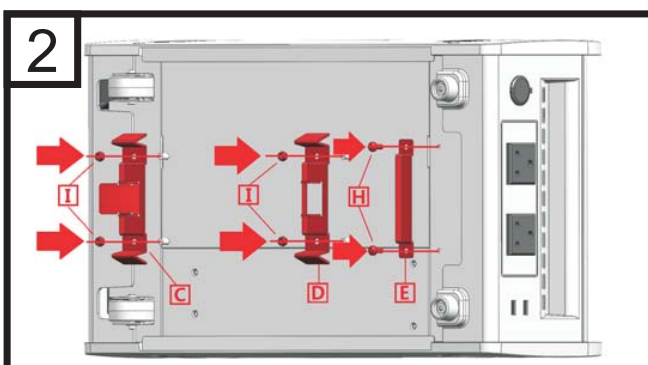


- A. Supporting Stand
- B. Trolley Wheel
- C. Rail Support 1
- D. Rail Support 2
- E. Rail Support 3

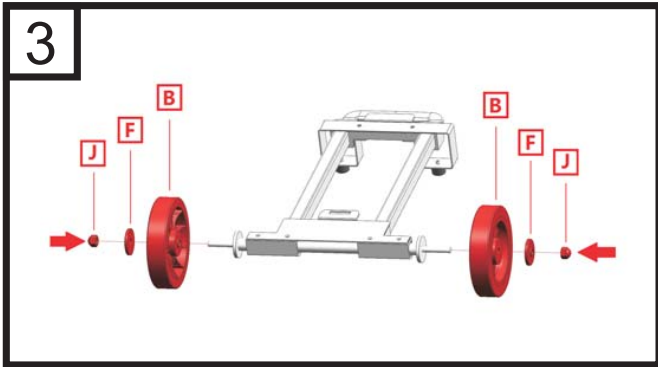
- F. Wheel Washer
- G. Screw (round head) for fastening component A
- H. Screw (flat head) for fastening component E
- I. Hex nut for fastening component C & D
- J. Cap nut for fastening component B & F



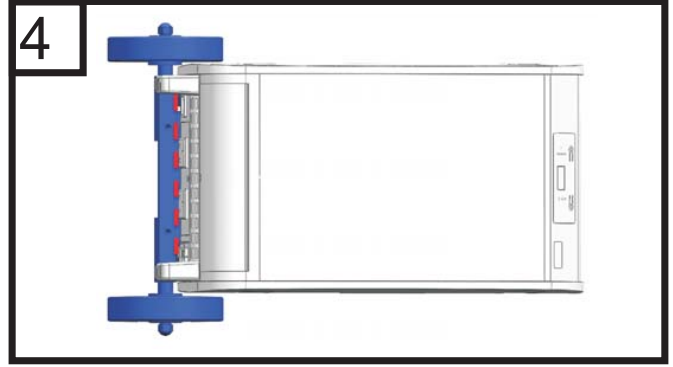
Install two supporting stands to unit, fasten them with SCREW G.



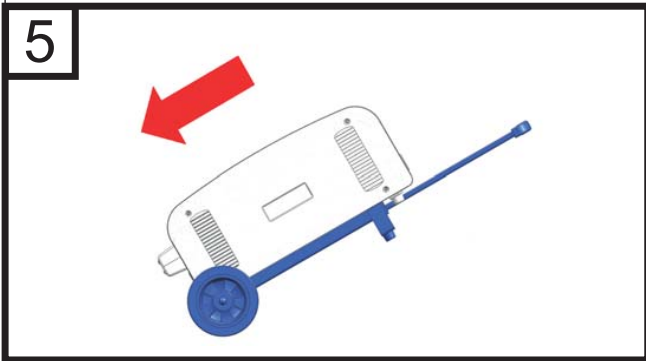
Install three RAIL SUPPORT (C, D & E) to the back of the unit, fasten them with NUT I and SCREW H. Make sure to place one piece of foam underneath before turning unit 90 degrees. All three RAIL SUPPORT FEET should be installed in direction exactly like picture shown above.



Install wheels to the under carriage and fasten with NUT J.

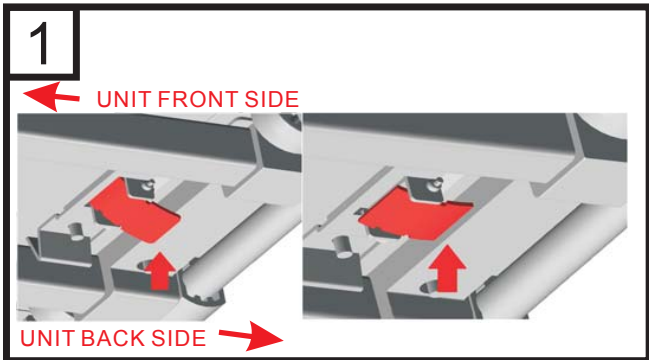


Place the unit on the trolley, make sure the unit is placed in the middle of trolley and located approximately to the position highlighted by red dotted line as shown above.

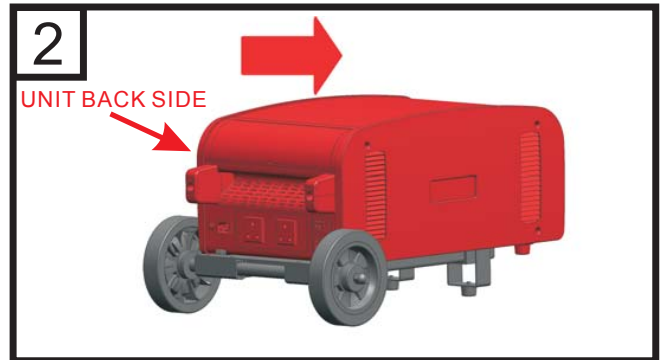


Pull out the handle of the trolley, slowly lift it up to 30 degree angle until a click sound is heard, unit will automatically slide and is locked to the trolley.

## UNINSTALL the Trolley from Solar Generator 1800



Place one hand underneath the bottom of unit, press down the spring buckle and hold it to unlock the trolley.



At the same time, use another hand to push the back of unit forward.



Lift the unit up.