



HOSE REEL CART

OWNER'S MANUAL



WARNING:

Read carefully and understand all **ASSEMBLY AND OPERATION INSTRUCTIONS** before operating. Failure to follow the safety rules and other basic safety precautions may result in serious personal injury.

Thank you very much for choosing a Yard Tuff product. For future reference, please complete the owner's record below:

Model: _____YTF-30058PW_____ Purchase Date: _____

Save the receipt, warranty and these instructions. It is important that you read the entire manual to become familiar with this product before you begin using it.

This product is designed for certain applications only. The manufacturer or distributor cannot be responsible for issues arising from modification. We strongly recommend this product not be modified and/or used for any application other than that for which it was designed. If you have any questions relative to a particular application, DO NOT use the product until you have first contacted the distributor to determine if it can or should be performed on the product.

For technical questions please call **1-218-943-6296**.

INTENDED USE

This heavy-duty hose reel cart features a strong, tubular steel frame and foam padded handle. It rolls easily on 10in. wheels. The cart holds 300 feet of 5/8in. garden hose (not included).

TECHNICAL SPECIFICATIONS

Item	Specification
Body size	39.57" x 25.19" x 40.94"
Tire size	10"
Inlet hose	6ft
Stores/Maintains hose	300ft (not included)
Hose Diameter	5/8"

GENERAL SAFETY RULES



WARNING: Read and understand all instructions. Failure to follow all instructions listed below may result in serious injury.



CAUTION: Do not allow persons to operate or assemble this hose reel cart until they have read this manual and have developed a thorough understanding of how the hose reel cart works.



WARNING: The warnings, cautions, and instructions discussed in this instruction manual cannot cover all possible conditions or situations that could occur. It must be understood by the operator that common sense and caution are factors which cannot be built into this product, but must be supplied by the operator.

SAVE THESE INSTRUCTIONS

WORK AREA

- **Keep work area clean**, free of clutter and well lit. Cluttered and dark work areas can cause accidents.
- **Keep children and bystanders** away while operating the hose reel cart. Distractions can cause you to lose control, so visitors should remain at a safe distance from the work area.
- **Be aware of all power lines, electrical circuits**, water pipes and other mechanical hazards in your work area, particularly those hazards below the work surface hidden from the operator's view that may be unintentionally contacted and may cause personal harm or property damage.
- **Be alert of your surroundings**. Using the hose reel in confined work areas may put you in a dangerous situation.

PERSONAL SAFETY

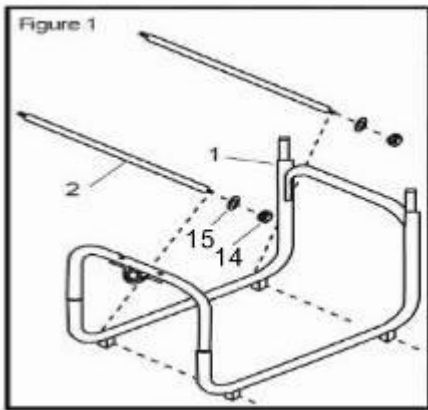
- **Stay alert**, watch what you are doing and use common sense when using the hose reel cart. Do not use the hose reel cart while you are tired or under the influence of drugs, alcohol or medication. A moment of inattention while operating the hose reel cart may result in serious personal injury.
- **Dress properly.** Do not wear loose clothing, dangling objects, or jewelry. Keep your hair, clothing and gloves away from moving parts. Loose clothes, jewelry or long hair can be caught in moving parts.

HOSE REEL USE AND CARE

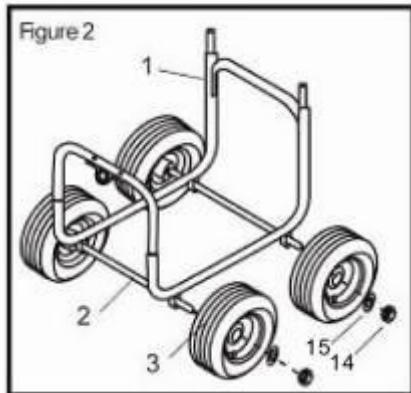
- **Do not modify the hose reel cart in any way.** Unauthorized modification may impair the function and/or safety and could affect the life of the equipment.
- **Always check for damaged or worn out parts before using the hose reel cart.** Broken parts will affect the hose reel cart operation. Replace or repair damaged or worn parts immediately.

ASSEMBLY

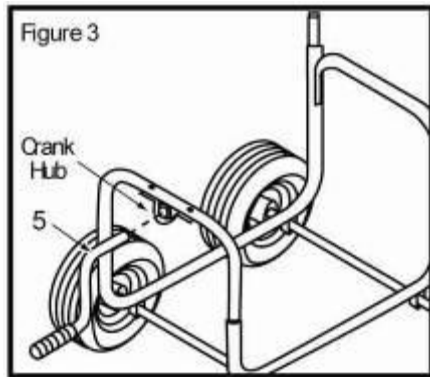
1. (SEE FIGURE 1) Remove and retain lock nut (14) and flat washer (15) from axle (2). Stand frame assembly (1) upright. Slide each axle (2) through both ends of frame (1).



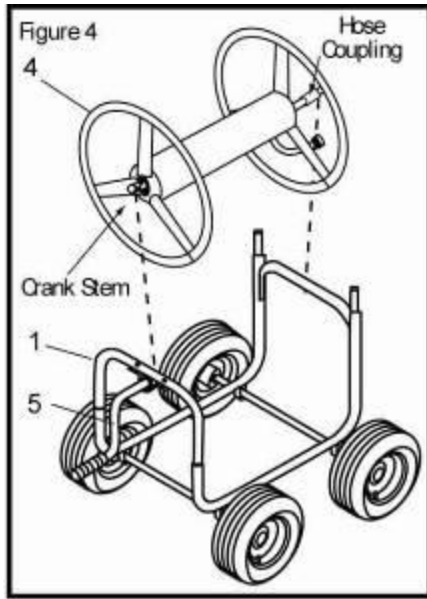
2. (SEE FIGURE 2) Slide wheels (3) onto ends of each axle (2), with the wheel valve stems facing outward. Fasten each wheel to axle using flat washers (15) and lock nuts (14). Do not over tighten.



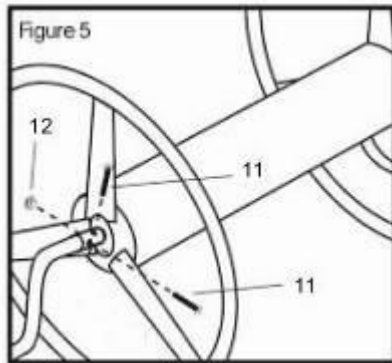
3. (SEE FIGURE 3) Insert the end of crank handle (5) through crank hub of frame (1). Crank hub mounting (10).



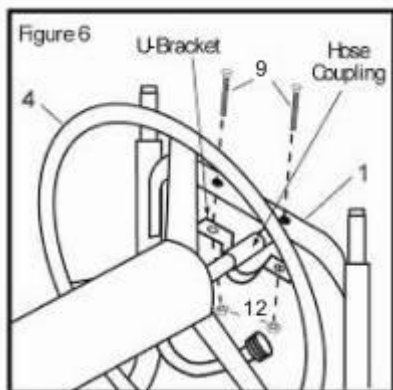
4. (SEE FIGURE 4) Place hose reel (4) into frame assembly (1). Insert end of crank stem from hose reel (4) onto crank handle (5). Align crank handle (5) mounting holes with crank stem mounting holes.



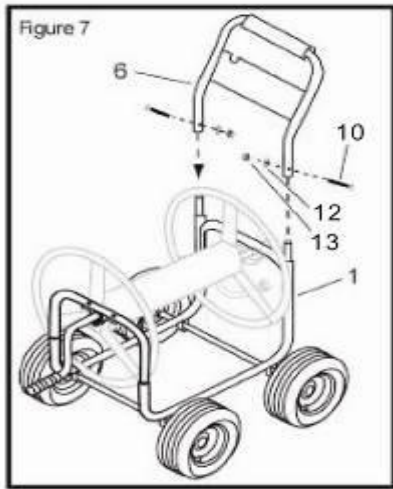
5. (SEE FIGURE 5) Insert bolt (11) through inside hole of crank stem and crank handle hole, loosely fasten with lock nut (12). Insert bolt (11) through outside hole of crank stem and crank handle hole. Tighten all fasteners securely.



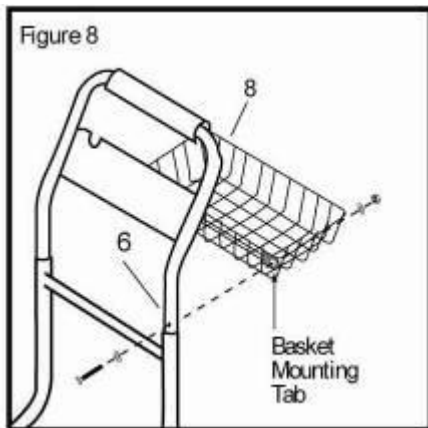
6. (SEE FIGURE 6) Attach hose coupling end of hose reel (4) to frame (1), using U-Bracket. Fasten U-bracket to frame with carriage bolts (9) and lock nuts (12)(13). Tighten securely.



7. (SEE FIGURE 7) Place handle (6) onto vertical posts of frame (1). Align mounting holes. Slide bolt (10) through mounting holes and place flat washer (13) lock nut (12) onto bolt (10).

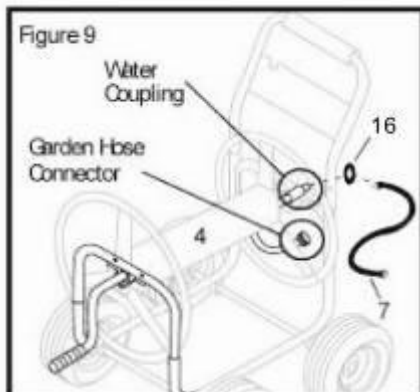


8. (SEE FIGURE 8) Attach basket (8) to handle (6). Place flat washer (13) onto bolt (9) and slide both bolts through mounting holes of handle (6). Place basket (8) mounting tabs onto bolts (9) then place flat washer (13) onto both bolts. Fasten basket using hex nuts (12).



9. (SEE FIGURE 9) Place rubber washer (16) into female end of water coupling on hose reel (4) drum. Attach one end of leader hose (7) to water coupling on hose reel (4) drum. Attach the other end of leader hose (7) to the water supply spigot. Attach garden hose to threaded garden hose connector and wind garden hose around hose reel (4).

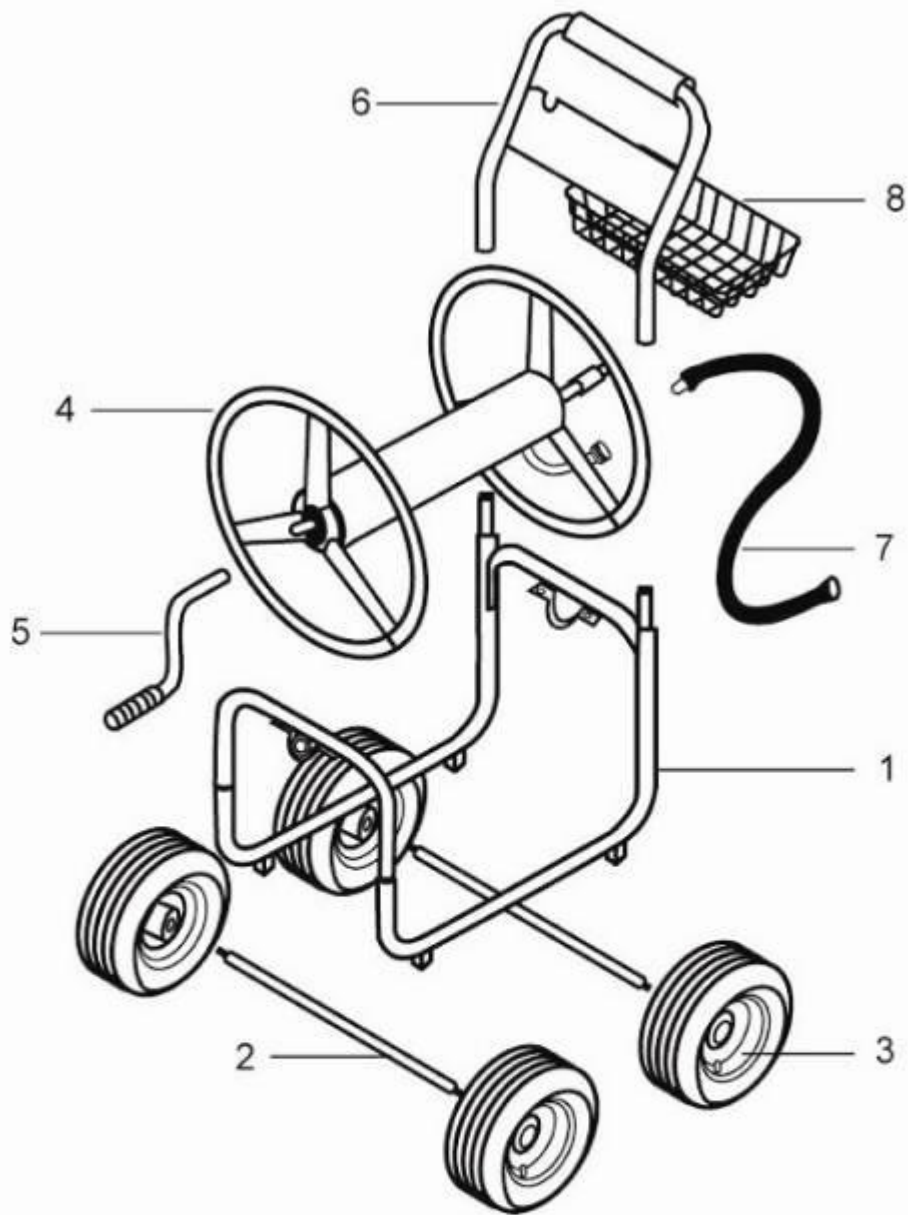
NOTE: The hose reel will hold up to 300' of 5/8" garden hose. (Garden Hose Not Included)



MAINTENANCE

- **Maintain your hose reel cart.** It is recommended that the general condition of the hose reel cart be examined before it is used. Keep the hose reel cart in good repair by adopting a program of conscientious repair and maintenance in accordance with the recommended procedures found in this manual.
- **Keep the hose reel cart clean.** A properly maintained hose reel cart will work more effectively. Keep all of parts dry, clean, and free from oil and grease.
- **Cleaning.** Use only soap and a damp cloth to clean your hose reel cart.

DIAGRAM & PARTS LIST



9



10



11



12



13



14



15



16

Part#	Description	Qty.	Part#	Description	Qty.
1	Frame	1	9	Carriage bolt M6X45	4
2	Axles	2	10	Carriage bolt M6X40	4
3	Wheels	4	11	Carriage bolt M6X30	2
4	Hose Reel	1	12	Lock Nut M6	10
5	Crank Handle	1	13	Flat Washer M6	10
6	Handle	1	14	Lock Nut M12	4
7	Leader Hose	1	15	Flat Washer M12	4
8	Accessories Basket	1	16	Rubber Washer	1

For replacement parts and technical questions, please call **1-218-943-6296**.

WARRANTY

One-year limited warranty



Distributed by
 TG
 PO BOX 203
 Miltona, MN 56354
 Made in CHINA