



HOSE REEL CART OWNER'S MANUAL



WARNING:

Read carefully and understand all **ASSEMBLY AND OPERATION INSTRUCTIONS** before operating. Failure to follow the safety rules and other basic safety precautions may result in serious personal injury.

Thank you very much for choosing a Yard Tuff product. For future reference, please complete the owner's record below:

Model: YTF-26058HCR2 Purchase Date: _____

Save the receipt, warranty and these instructions. It is important that you read the entire manual to become familiar with this product before you begin using it.

This product is designed for certain applications only. The manufacturer or distributor cannot be responsible for issues arising from modification. We strongly recommend this product not be modified and/or used for any application other than that for which it was designed. If you have any questions relative to a particular application, DO NOT use the product until you have first contacted the distributor to determine if it can or should be performed on the product.

For technical questions please call **1-218-943-6296**.

INTENDED USE

This heavy-duty hose reel cart features a strong, tubular steel frame and foam padded handle. It rolls easily on 10" wheels. The cart holds 260 feet of 5/8" garden hose (not included).

TECHNICAL SPECIFICATIONS

Item	Specification
Body size	29" X 24" X 37"
Tire size	10"
Inlet hose	6 ft
Stores/Maintains hose	260 ft (not included)
Hose Diameter	5/8"

GENERAL SAFETY RULES



WARNING: Read and understand all instructions. Failure to follow all instructions listed below may result in serious injury.



CAUTION: Do not allow persons to operate or assemble this hose reel cart until they have read this manual and have developed a thorough understanding of how the hose reel cart works.



WARNING: The warnings, cautions, and instructions discussed in this instruction manual cannot cover all possible conditions or situations that could occur. It must be understood by the operator that common sense and caution are factors which cannot be built into this product, but must be supplied by the operator.



WARNING: It is important to maintain 25 PSI in the pneumatic tires at all times. Do not over inflate or under inflate your tires. Low pressure may result in tire failure. Over inflation may cause the tire to burst or the rim to separate causing serious personal injury.



WARNING: Always inflate tires from a regulated air source with an available pressure gauge. Inflating your tires from an unregulated air source could over inflate them, resulting in a burst tire or rim separation and/or personal injury.

SAVE THESE INSTRUCTIONS

WORK AREA

- **Keep work area clean**, free of clutter and well lit. Cluttered and dark work areas can cause accidents.
- **Keep children and bystanders** away while operating the hose reel cart. Distractions can cause you to lose control, so visitors should remain at a safe distance from the work area.
- **Be aware of all power lines, electrical circuits**, water pipes and other mechanical hazards in your work area, particularly those hazards below the work surface hidden from the operator's view that may be unintentionally contacted and may cause personal harm or property damage.
- **Be alert of your surroundings.** Using the hose reel in confined work areas may put you in a dangerous situation.

PERSONAL SAFETY

- **Stay alert**, watch what you are doing and use common sense when using the hose reel cart. Do not use the hose reel cart while you are tired or under the influence of drugs, alcohol or medication. A moment of inattention while operating the hose reel cart may result in serious personal injury.
- **Dress properly.** Do not wear loose clothing, dangling objects, or jewelry. Keep your hair, clothing and gloves away from moving parts. Loose clothes, jewelry or long hair can be caught in moving parts.
- **Do not over or under inflate your tires.** Low pressure may result in tire failure. Over inflation may cause the tire to burst or the rim to separate causing serious injury.
- **Always inflate tires from a regulated air source with an available pressure gauge.** Inflating your tires from an unregulated air source could over inflate them, resulting in a burst tire or rim separation and/or personal injury.

HOSE REEL USE AND CARE

- **Do not modify the hose reel cart in any way.** Unauthorized modification may impair the function and/or safety and could affect the life of the equipment.
- **Always check for damaged or worn out parts before using the hose reel cart.** Broken parts will affect the hose reel cart operation. Replace or repair damaged or worn parts immediately.

ASSEMBLY

Step 1 -- Assemble the Hose Connector (#3) into the End Hose Reel (#2) using Bolts (#16), Flat Washers (#22) and Lock Nuts (#23).



Step 2 – Assemble the Inlet Hose Reel (#1) to the Hose Connector (#3) using Bolts (#16), Flat Washers (#22) and Lock Nuts (#23).



Step 3 – Assemble the Push Handle (#7) into the Side Frames (#4) using Bolts (#15), Flat Washers (#18) and Lock Nuts (#19).



Step 4 – Assemble the Front Crank Frame (#5) into the Side Frame (#4) using Bolts (#15), Flat Washers (#18) and Lock Nuts (#19).



Step 5 – Assemble the Cross Brace (#6) into the Side Frames (#4) by using Bolts (#15), Flat Washers (#18) and Lock Nuts (#19).



Step 6 – Assemble the Crank U-Bracket (#13) into the Front Crank Frame (#5) using Bolts (#15), Flat Washers (#18) and Lock Nuts (#19).



Step 7 – Assemble the Crank Handle (#9) into the End Hose Reel (#2) using Bolts (#17), Flat Washers (#18) and Lock Nuts (#19).



Step 8 – Assemble the Inlet Hose Reel (#1) into the Cross Brace (#6) using Bolts (#15), Flat Washers (#18) and Lock Nuts (#19),



Step 9 – Assemble the Axle (#8) into the Side Frame (#4). Attach Wheels (#11) to Axle (#8) using Flat Washer (#20) and Lock Nut (#21).



Step 10 – Attach the Basket (#10) to the Push Handle (#7) using Bolts (#15), Flat Washers (#18) and Lock Nuts (#19).



Step 11 – Attach the Leader Hose (#12) and Rubber washer (#14) to the Inlet Hose Reel (#1).



Step 12 – Attach the other end of the Leader Hose (#12) to the water supply spigot. Attach garden hose to threaded garden hose connector and wind garden hose around Hose Reel.

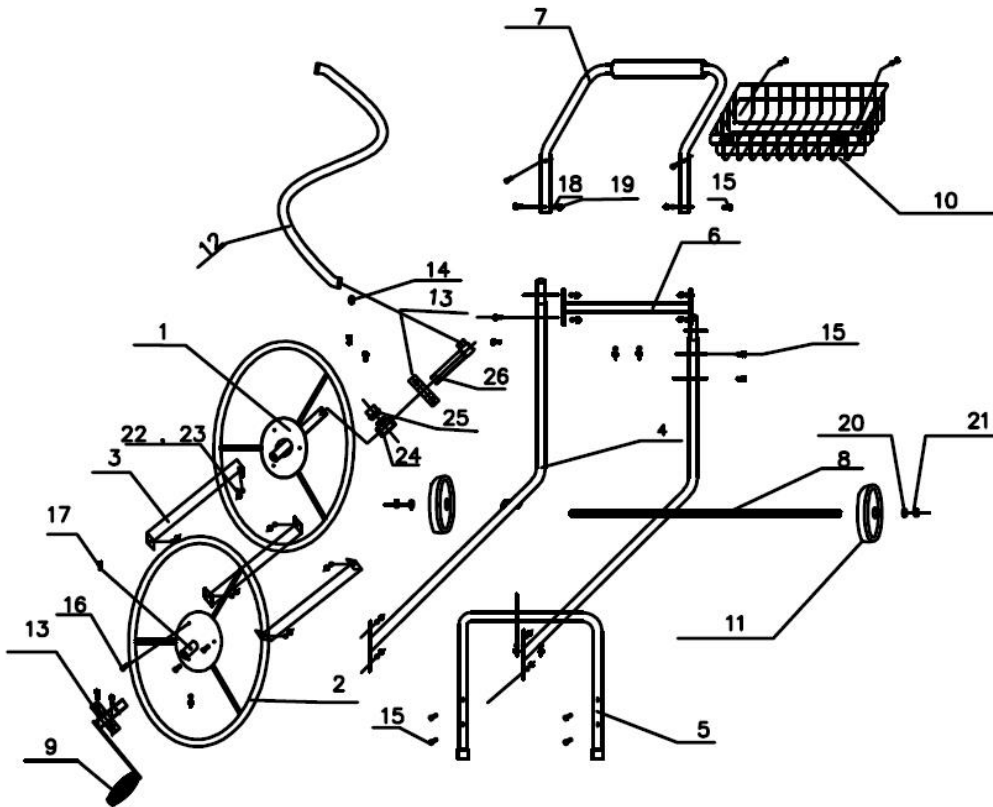


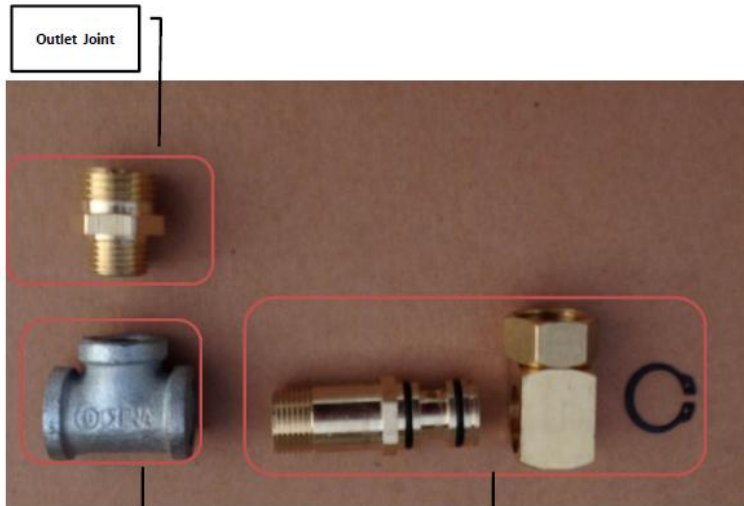
MAINTENANCE

- **Maintain your hose reel cart.** It is recommended that the general condition of the hose reel cart be examined before it is used. Keep the hose reel cart in good repair by adopting a program of conscientious repair and maintenance in accordance with the recommended procedures found in this manual.
- **Keep the hose reel cart clean.** A properly maintained hose reel cart will work more effectively. Keep all of parts dry, clean, and free from oil and grease.
- **Cleaning.** Use only soap and a damp cloth to clean your hose reel cart.

PARTS LIST & DIAGRAM

Part#	Description	Qty.	Part#	Description	Qty.
1	Inlet Hose Reel	1	14	Rubber Washer	2
2	End Hose Reel	1	15	Bolt M6X35	16
3	Hose Connector	3	16	Bolt M8X16	6
4	Side Frame	2	17	Bolt M6X30	1
5	Front Crank Frame	1	18	Flat Washer M6	17
6	Cross Brace	1	19	Lock nut M6	17
7	Push Handle	1	20	Flat Washer M12	2
8	Axle	1	21	Lock Nut M12	2
9	Crank Handle	1	22	Flat washer M8	6
10	Basket	1	23	Lock nut M8	6
11	Wheel	2	24	Tee coupling	1
12	Leader Hose	1	25	Outlet joint	1
13	Crank U-bracket	2	26	Inlet joint	1

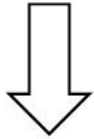




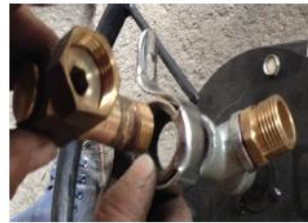
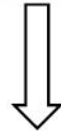
Outlet Joint

Tee Coupling

Inlet Joint (It must be Assembly)



Inlet and Outlet assembly



For replacement parts and technical questions, please call **1-218-943-6296**.

WARRANTY: One-year limited parts warranty



TG
PO BOX 203
Miltona, MN 56354
Made in CHINA