



# **39" SLEEVE HITCH DISC**

## **OWNER'S MANUAL**



### **WARNING:**

Carefully read and understand all **ASSEMBLY AND OPERATION INSTRUCTIONS** before operating. Failure to follow the safety rules and other basic safety precautions may result in serious personal injury.

**Item# FTF-811DHS**

Thank you very much for choosing this product! For future reference, please complete the owner's record below:

Model: FTF-811DHS Purchase Date: \_\_\_\_\_

Save the receipt, the warranty, and these instructions. It is important that you read the entire manual to become familiar with this product before you begin using it.

This product is designed for certain applications only. The manufacturer cannot be responsible for issues arising from modification. We strongly recommend that this product not be modified and/or used for any application other than that for which it was designed. If you have any questions relative to a particular application, DO NOT use the product until you have first contacted us to determine if it can, or should, be performed on the product.

For technical questions, please call **1-218-943-6296**.

## INTENDED USE

The 39" Sleeve Hitch Disc has an adjustable working width of up to 39" to make your work fast and efficient. Made up of eight, heavy-duty 11" diameter disc blades, this Disc allows you to easily turn your rough soil into uniform, ready-to-plant soil. The harrow angles can be adjusted up to 10°, 15°, or 20° to fit your soil's needs, which gives you a versatile tool.

## TECHNICAL SPECIFICATIONS

Item	Description
Coverage	39" working width
Disc Blade Qty.	8
Disc Blade Diameter	11"
Harrow Angle	10°, 15° or 20°

## GENERAL SAFETY RULES



**WARNING:** Read and understand all instructions. Failure to follow all instructions listed below may result in serious injury.



**CAUTION:** Do not allow persons to operate or assemble this Disc until they have read this manual and have developed a thorough understanding of how the Disc works.



**WARNING:** The warnings, cautions, and instructions discussed in this instruction manual cannot cover all possible conditions or situations that could occur. It must be understood by the operator that common sense and caution are factors that cannot be built into this product, but must be supplied by the operator.

## SAVE THESE INSTRUCTIONS

## WORK AREA

- **Keep work area clean**, free of clutter, and well lit. Cluttered and dark work areas can cause accidents.
- **Keep children and bystanders** away while operating a Disc. Distractions can cause you to lose control, so visitors should remain at a safe distance from the work area.
- **Be alert of your surroundings.** Using a Disc in confined work areas may put you dangerously close to sharp tools and rotating parts.

## PERSONAL SAFETY

- **Stay alert**, watch what you are doing, and use common sense when using a Disc. Do not use a Disc while you are tired or under the influence of drugs, alcohol, or medication. A moment of inattention while operating a Disc may result in serious personal injury.
- **Dress properly.** Do not wear loose clothing, dangling objects, or jewelry. Keep your hair, clothing, and gloves away from moving parts. Loose clothes, jewelry, or long hair can be caught in moving parts.
- **Use safety apparel and equipment.** Use safety goggles or safety glasses with side shields that comply with current national standards or, when needed, a face shield. Use a dust mask if working in dusty work conditions. This applies to all persons in the work area. Also use non-skid, safety shoes, hard hats, gloves, dust collection systems, and hearing protection when appropriate.

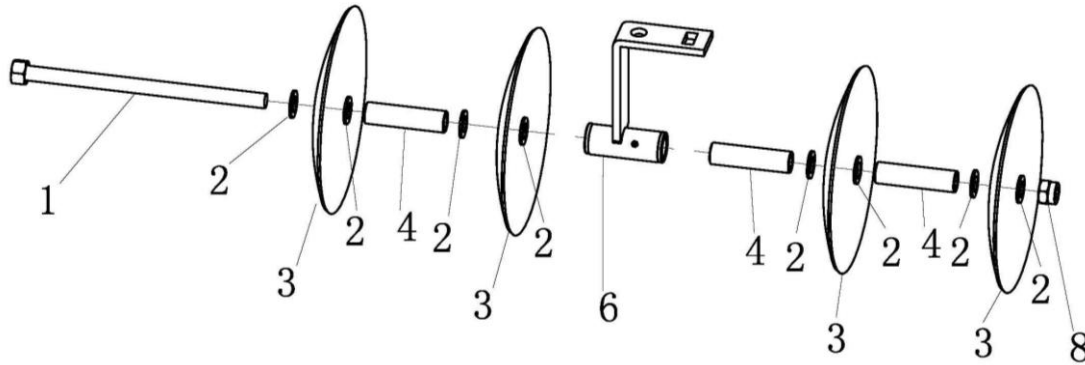
## DISC USE AND CARE

- **Do not modify the Disc in any way.** Unauthorized modification may impair the function and/or safety and could affect the life of the equipment. There are specific applications for which the Disc was designed.
- **Always check for damaged or worn-out parts before using the Disc.** Broken parts will affect the Disc operation. Replace or repair damaged or worn parts immediately.
- **Do not exceed the Disc load capacity.**
- **Distribute the load evenly.** Uneven loads may cause the Disc to tip, resulting in personal injury to the operator or others.
- **Use the Disc on flat and level surfaces** capable of supporting the Disc and its maximum load. Pulling or pushing a load on a slanted or uneven surface can result in loss of control.
- **Store idle Disc.** When Disc is not in use, store it in a secure place out of the reach of children. Inspect it for good working condition prior to storage and before re-use.

# ASSEMBLY

## Step #1:

Assemble the two Disc Gang Assemblies as shown below. Connect four Disc Blades (#3), three Spacer Bushing (#4), and the Mounting Bracket (#6), using the one Long Bolt (#1), eight Flat Washers (#2), and one Hex Lock Nut (#8).

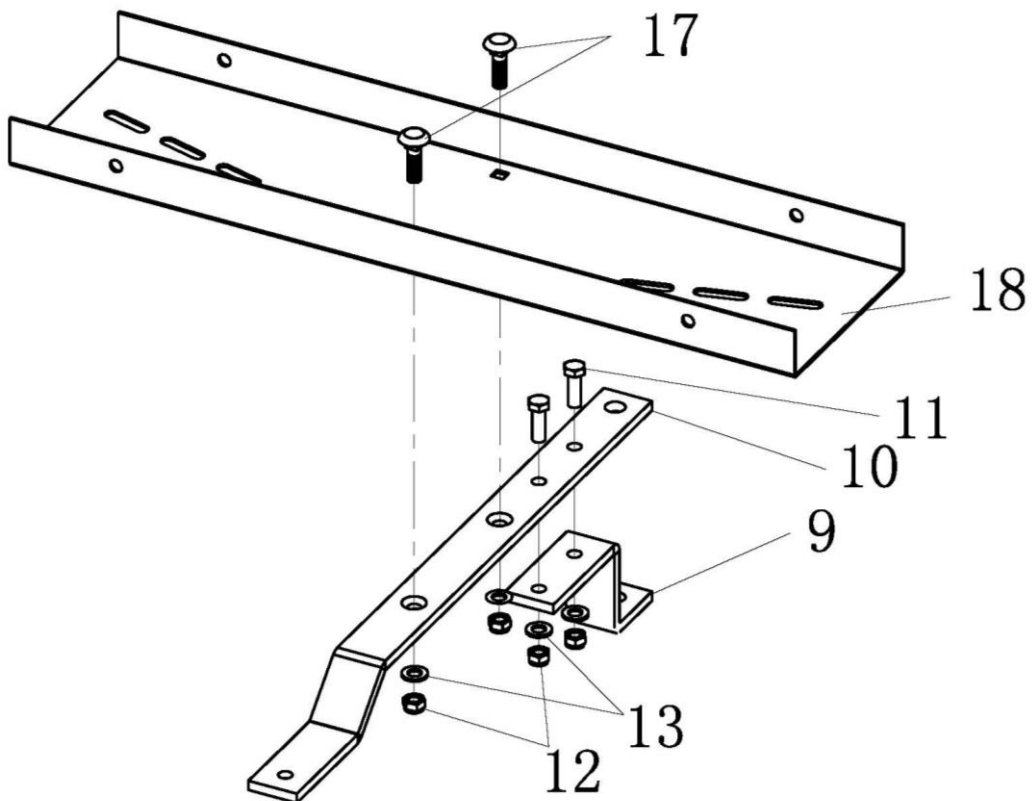


## Step #2:

Attach the Tongue (#10) to the back of the Tray (#18), using two Bolts (#17), two Flat Washers (#13), and two Hex Lock Nuts (#12).

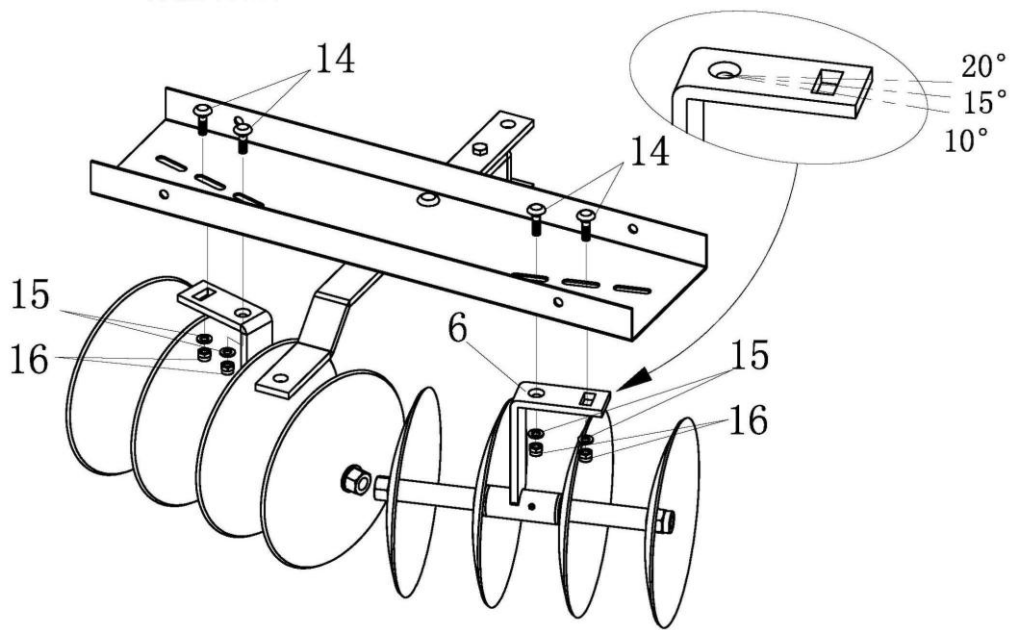
## Step #3:

Attach the Tongue Bracket (#9) to the Tongue (#10), using two Hex Bolts (#11), two Flat Washers (#13), and two Hex Lock Nuts (#12).



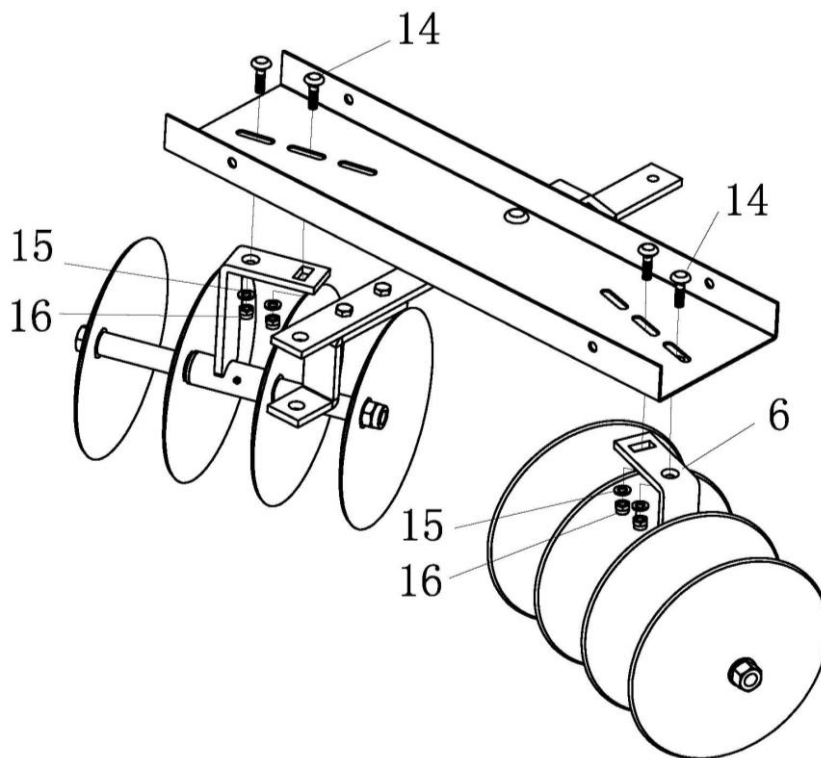
Step #4:

Attach the two Disc Gang Assemblies to the Tray (#18), using four Bolts (#14), four Flat Washers (#15), and four Hex Lock Nuts (#16). The Mounting Bracket (#6) can adjust to three angles (10°,15°,20°). The Disc Blades should be facing outward.



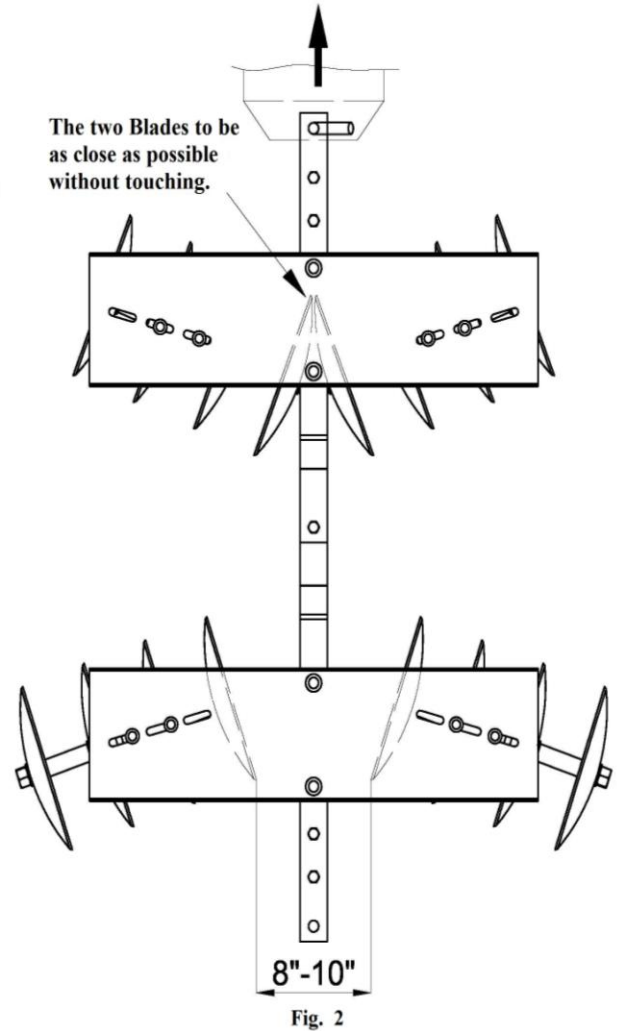
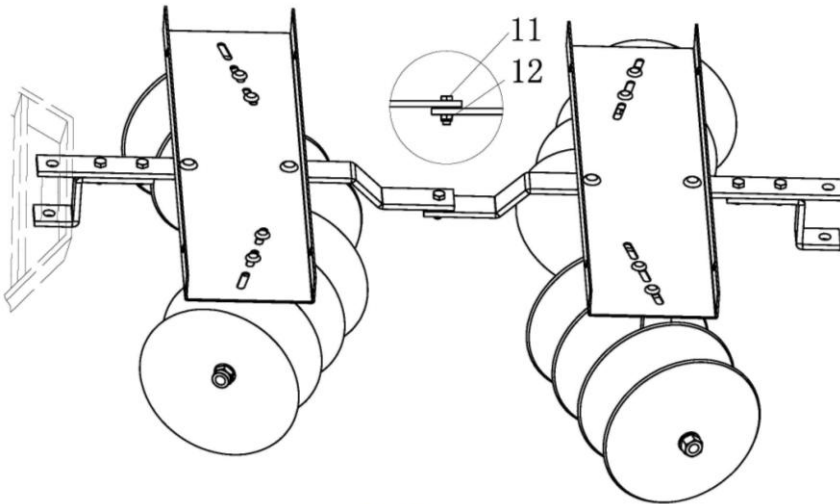
Step #5:

To increase how aggressive you disc, adjust the angles of the Disc Gang Assemblies.



## USING TWO SLEEVE HITCH DISCS

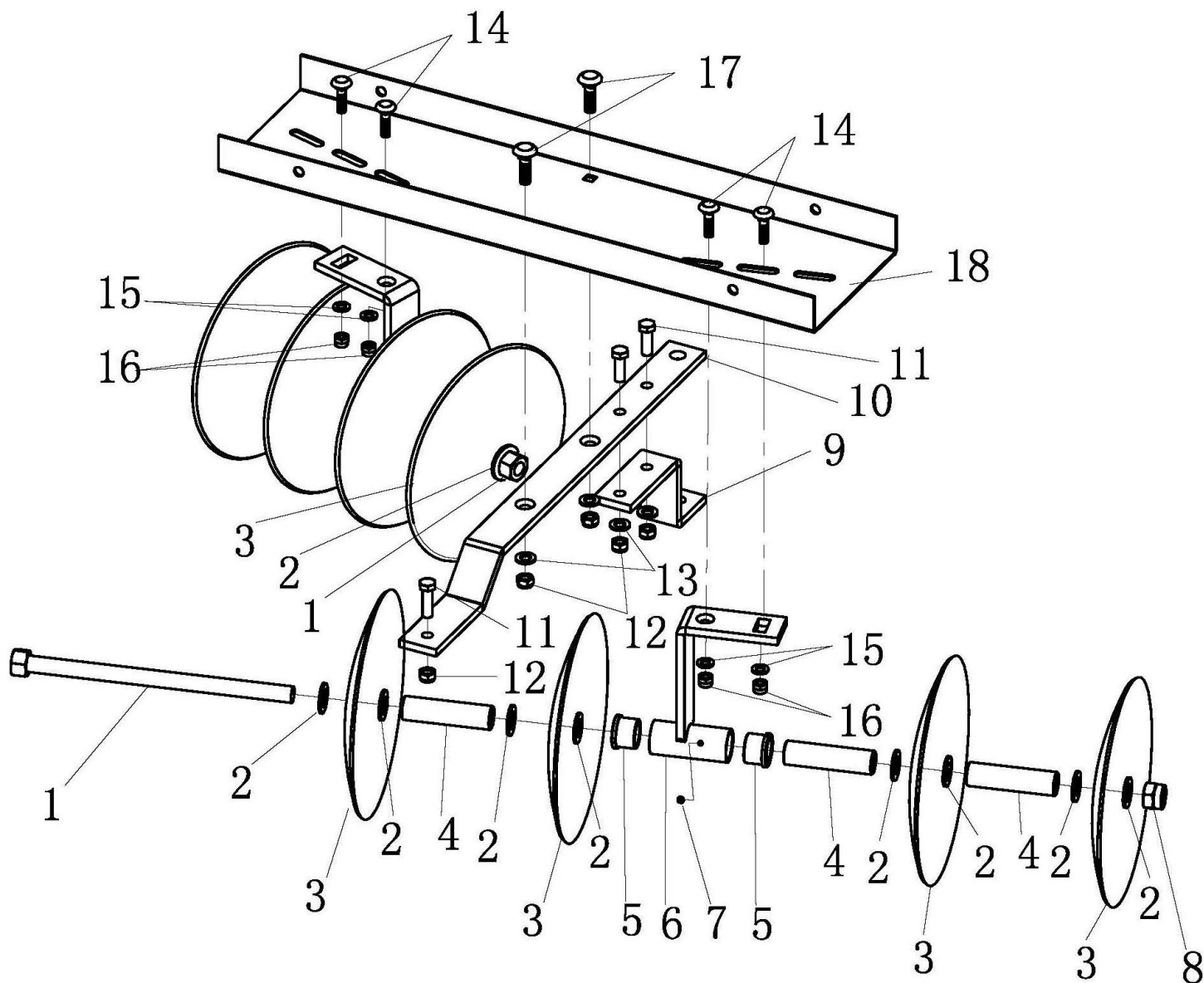
Two Sleeve Hitch Discs can be used together by connecting the two Tongues (#10) using one Hex Bolt (#11) and one Hex Lock Nut (#12) (See Fig.1 & Fig. 2).



## MAINTENANCE

- **Maintain your Disc.** It is recommended that the general condition of any Disc be examined before it is used. Keep your Disc in good repair by adopting a program of conscientious repair and maintenance. If any abnormal vibrations or noise occurs, have the problem corrected before further use. Have necessary repairs made by qualified service personnel.

# DIAGRAM & PARTS LIST



Part #	Description	Qty.	Part #	Description	Qty.
1	Long Bolt	2	10	Tongue	1
2	Flat Washer Ø20	16	11	Hex Bolt M12*40	3
3	Disc Blade	8	12	Hex Lock Nut M12	5
4	Spacer Bushing	6	13	Flat Washer Ø12	4
5	Bushing	4	14	Bolt M10*30	4
6	Mounting Bracket	2	15	Flat Washer Ø10	4
7	Oil Valve	2	16	Hex Lock Nut M10	4
8	Hex Lock Nut M20	24	17	Bolt M12*30	2
9	Tongue Bracket	1	18	Tray	1

For technical questions, please call 1-218-943-6296.

## **WARRANTY**

**One-year limited parts warranty.**



TG  
PO BOX 203  
Miltona, MN 56354  
Made in China