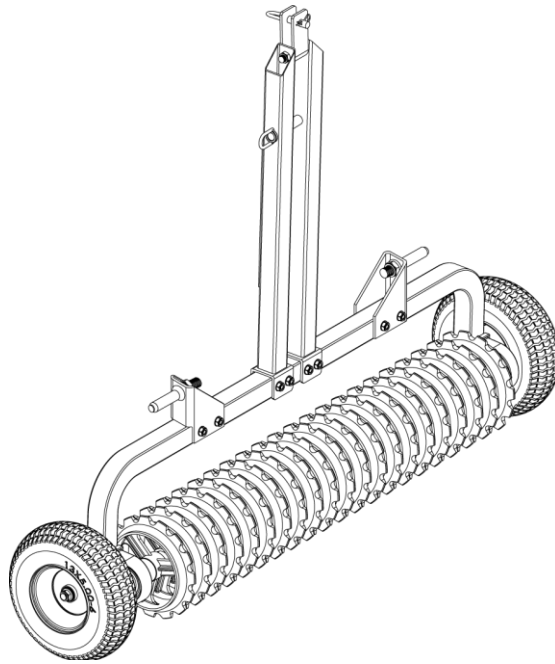


Cultipacker

3-Point Hitch Adaptor

OWNER'S MANUAL



WARNING:

Read carefully and understand all **ASSEMBLY AND OPERATION INSTRUCTIONS** before operating. Failure to follow the safety rules and other basic safety precautions may result in serious personal injury.

MODEL # FTF-HCP3PT

Thank you very much for choosing this product! For future reference, please complete the owner's record below:

Model: _____ Purchase Date: _____

Save the receipt, warranty and these instructions. It is important that you read the entire manual to become familiar with this product before you begin using it.

This product is designed for certain applications only. The manufacturer cannot be responsible for issues arising from modification. We strongly recommend this product not be modified and/or used for any application other than that for which it was designed. If you have any questions relative to a particular application, DO NOT use the product until you have first contacted us to determine if it can or should be performed on the product.

For technical questions please call **1-218-943-6296**.

IMPORTANT SAFETY INFORMATION



WARNING: Read and understand all instructions. Failure to follow all instructions listed below may result in serious injury.



CAUTION: Do not allow persons to operate or assemble this product until they have read this manual and have developed a thorough understanding of how it works.



CAUTION: Operator should be familiar with all functions of the unit.



WARNING: Keep bystander clear while operating equipment.



WARNING: Do not allow riders.



CAUTION: Safely support and secure implement before making repairs.



CAUTION: Do not stand or climb on equipment.



WARNING: The warnings, cautions, and instructions discussed in this instruction manual cannot cover all possible conditions or situations that could occur. It must be understood by the operator that common sense and caution are factors that cannot be built into this product, but must be supplied by the operator.

SAVE THESE INSTRUCTIONS

WORK AREA

- **Keep work area clean**, free of clutter and well lit. Cluttered and dark work areas can cause accidents.
- **Keep children and bystanders** away while operating the cultipacker. Distractions can cause you to lose control, so visitors should remain at a safe distance from the work area.
- **Be aware of all power lines, electrical circuits**, water pipes and other mechanical hazards in your work area, particularly those hazards below the work surface hidden from the operator's view that may be unintentionally contacted and may cause personal harm or property damage.
- **Be alert of your surroundings.**

PERSONAL SAFETY

- **Stay alert**, watch what you are doing and use common sense when using a cultipacker. Do not use while you are tired or under the influence of drugs, alcohol or medication. A moment of inattention while operating a cultipacker may result in serious personal injury.
- **Dress properly.** Do not wear loose clothing, dangling objects, or jewelry. Keep your hair, clothing and gloves away from moving parts.
- **Use safety apparel and equipment.** This applies to all persons in the work area. Use safety glasses, non-skid safety shoes, hardhat, gloves, dust collection systems, and hearing protection when needed.
- **Do not have passengers** on the tow vehicle when pulling cultipacker.
- **Do not turn too short when pulling the cultipacker.** Turning too short can result in the cultipacker catching a tire and possibly injuring the operator.

CULTIPACKER USE AND CARE

- **Do not modify the cultipacker in any way.** Unauthorized modification may impair the function and/or safety and could affect the life of the equipment. There are specific applications for which the cultipacker was designed.
- **Always check for damaged or worn out parts before using the cultipacker.** Broken parts will affect operation. Replace or repair damaged or worn parts immediately.
- **Store idle cultipacker.** When the cultipacker is not in use, store it in a secure place out of the reach of children. Inspect it for good working condition prior to storage and before re-use.
- **Transporting cultipacker** on hard road type surfaces can result in excessive packer wheel wear or possible packer wheel damage.
- **Care should be taken when flipping the cultipacker over for either use or transport.** Place one foot on the packer wheels and securely hold when flipping. Improper flipping can result in bodily injury and/or property damage.
- **There are two grease points on the cultipacker.** There is a bearing on each end of the packer wheel shaft. It is recommended that these bearings be greased at least every 4 hours. In dusty conditions more frequent greasing may be necessary.
- **For best results it may be necessary to pack the soil before seeding and then pack the soil a second time after seeding.** This is especially true with small seeds that require shallow seeding.

OPTIONAL 3-POINT KIT ASSEMBLY

Step #1:

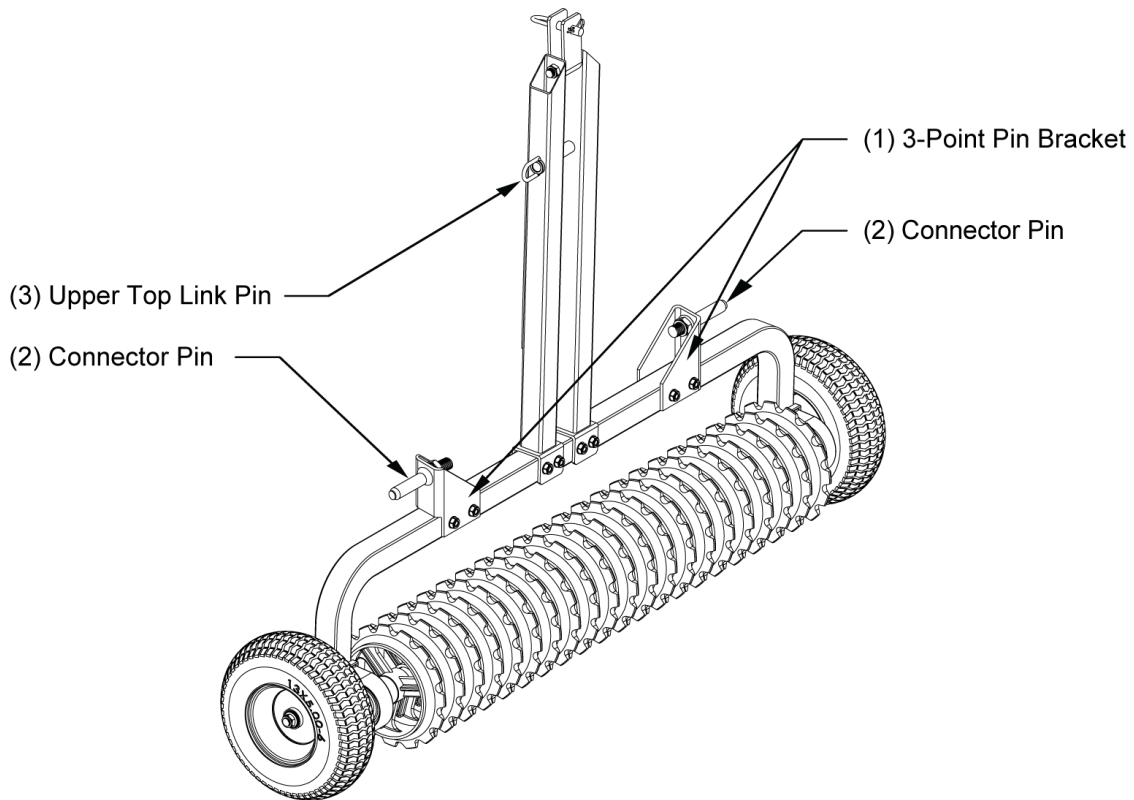
Remove the two M14 nuts (6), washers (5) and bolts (4) from each lower 3-point pin bracket.

Step #2:

Install each lower 3-point pin bracket (1) on the cultipacker frame as shown below. Fasten securely with the M14bolts (4), washers (5) and nuts (6) that were removed in Step 1.

Step #3:

Install the connector pins (2) and upper top link pin (3) to your category 1 link arms.



#	Descriptions	Qty.
1	3-Point Pin Bracket	2
2	Connector Pins	2
3	Upper Top Link Pin	1
4	M14 Bolt	4
5	M14 Washer	4
6	M14 Nut	4

For technical questions, please call 1-218-943-6296.

WARRANTY

One-year limited parts warranty



TG
 PO BOX 203
 Miltona, MN 56354
 Made in China