



# ATV Adjustable Drag Harrow

## OWNER'S MANUAL



### **WARNING:**

Read carefully and understand all **ASSEMBLY AND OPERATION INSTRUCTIONS** before operating. Failure to follow the safety rules and other basic safety precautions may result in serious personal injury.

**Item# FTF-0424M**

Thank you very much for choosing this product! For future reference, please complete the owner's record below:

Model: \_\_\_\_\_FTF-0424M\_\_\_\_\_ Purchase Date: \_\_\_\_\_

Save the receipt, warranty and these instructions. It is important that you read the entire manual to become familiar with this product before you begin using it.

This machine is designed for certain applications only. The manufacturer cannot be responsible for issues arising from modification. We strongly recommend this machine not be modified and/or used for any application other than that for which it was designed. If you have any questions relative to a particular application, DO NOT use the machine until you have first contacted us to determine if it can or should be performed on the product.

For technical questions please call **1-218-943-6296**.

## INTENDED USE

Great for small acreage and food plots.

## TECHNICAL SPECIFICATIONS

Working width	48 in.
Tine QTY	24

## GENERAL SAFETY RULES



**WARNING:** Read and understand all instructions. Failure to follow all instructions listed below may result in serious injury.



**CAUTION:** Do not allow persons to operate or assemble this drag harrow until they have read this manual and have developed a thorough understanding of how the drag harrow works.



**WARNING:** The warnings, cautions, and instructions discussed in this instruction manual cannot cover all possible conditions or situations that could occur. It must be understood by the operator that common sense and caution are factors which cannot be built into this product, but must be supplied by the operator.

## SAVE THESE INSTRUCTIONS

## WORK AREA

- **Keep work area clean**, free of clutter and well lit. Cluttered and dark work areas can cause accidents.
- **Keep children and bystanders** away while operating a **drag harrow**. Distractions can cause you to lose control, so visitors should remain at a safe distance from the work area.
- **Be aware of all power lines, electrical circuits**, water pipes and other mechanical hazards in your work area, particularly those hazards below the work surface hidden from the operator's view that may be unintentionally contacted and may cause personal harm or property damage.
- **Be alert of your surroundings**. Using a **drag harrow** in confined work areas may put you dangerously close to cutting tools and rotating parts.

## PERSONAL SAFETY

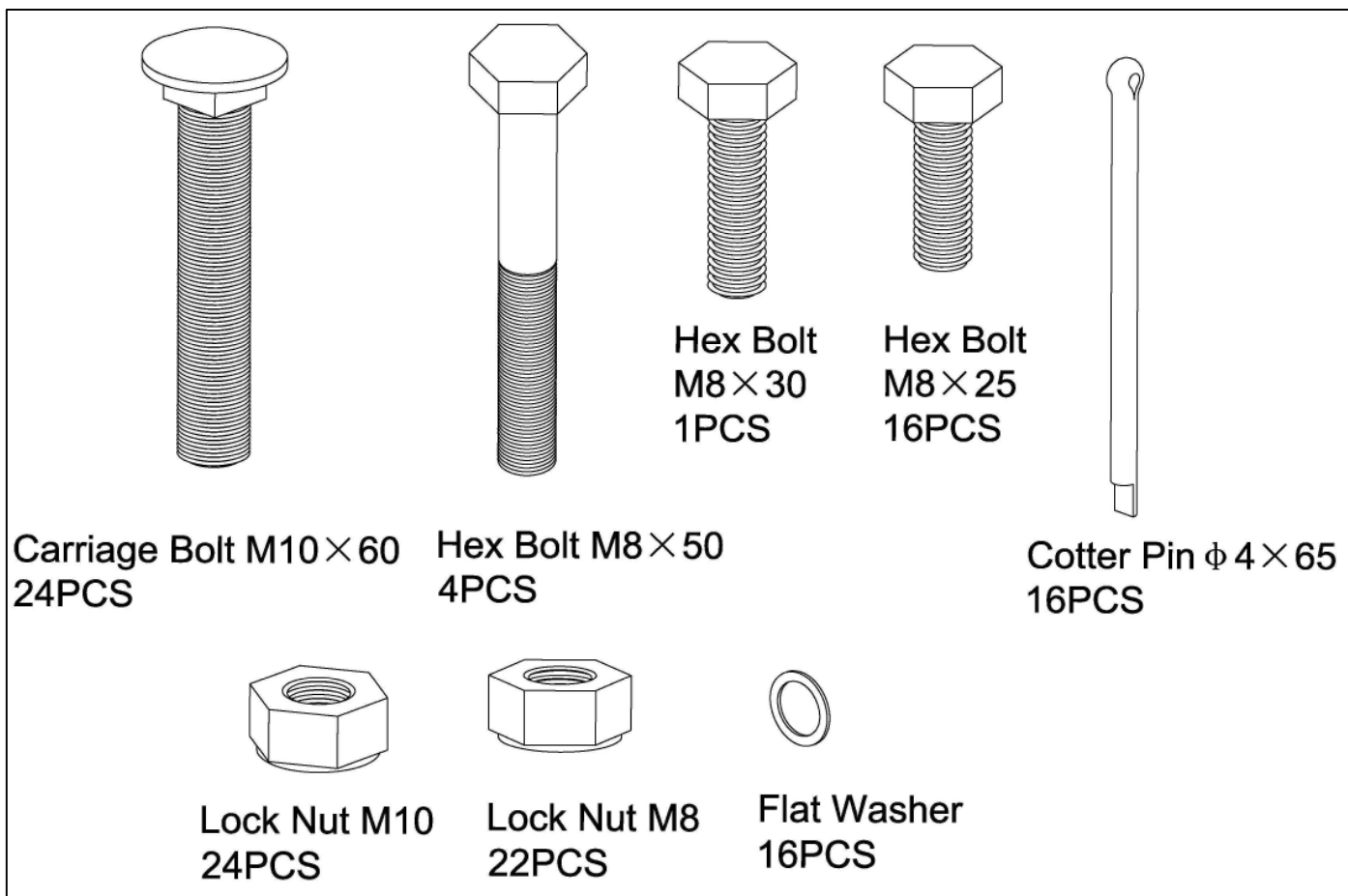
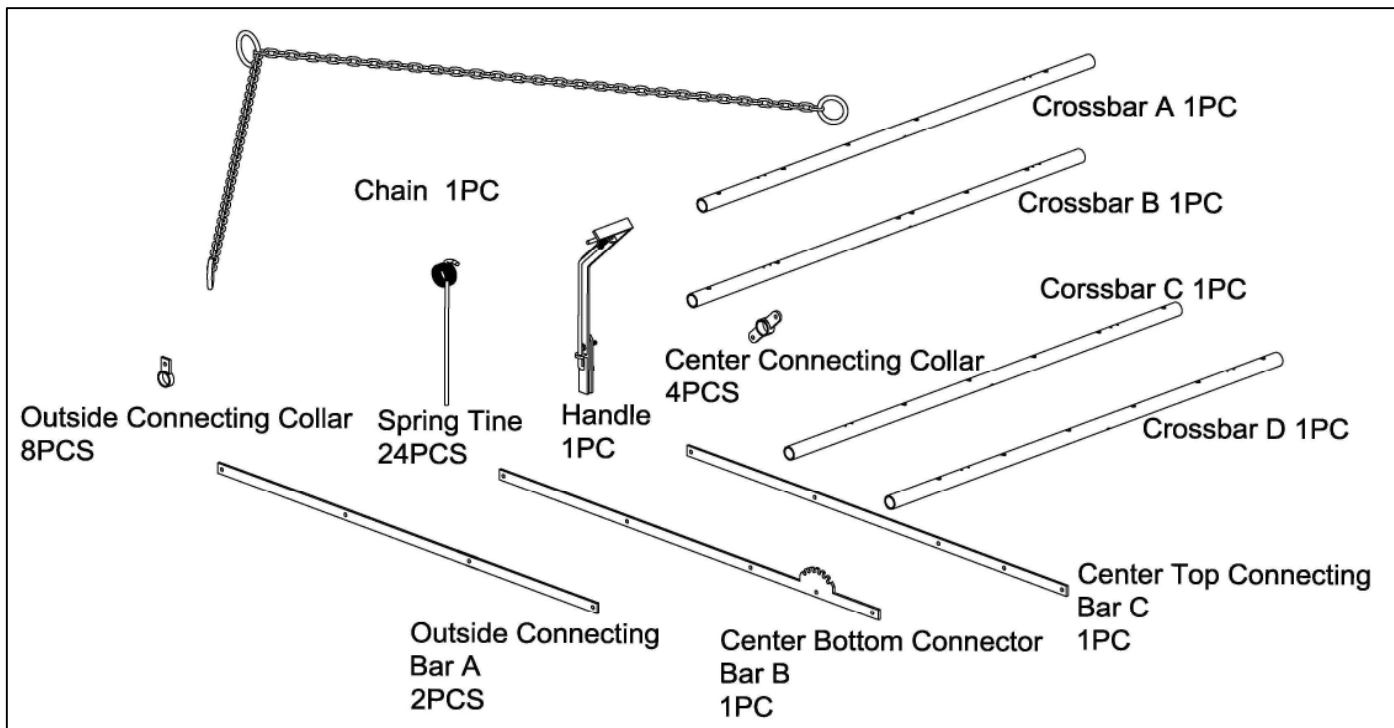
- **Stay alert**, watch what you are doing and use common sense when using a **drag harrow**. Do not use a **drag harrow** while you are tired or under the influence of drugs, alcohol or medication. A moment of inattention while operating a **drag harrow** may result in serious personal injury.
- **Dress properly**. Do not wear loose clothing, dangling objects, or jewelry. Keep your hair, clothing and gloves away from moving parts. Loose clothes, jewelry or long hair can be caught in moving parts.
- **Use safety apparel and equipment**. Use safety goggles or safety glasses with side shields which comply with current national standards, or when needed, a face shield. Use a dust mask in dusty work conditions. This applies to all persons in the work area. Also use non-skid safety shoes, hardhat, gloves, dust collection systems, and hearing protection when appropriate.

## DRAG HARROW USE AND CARE

- **Do not modify the drag harrow in any way**. Unauthorized modification may impair the function and/or safety and could affect the life of the equipment. There are specific applications for which the **drag harrow** was designed.
- **Always check for damaged or worn out parts before using the drag harrow**. Broken parts will affect the **drag harrow** operation. Replace or repair damaged or worn parts immediately.
- **Use the drag harrow on flat and level surfaces** capable of supporting the **drag harrow** and its maximum load. Pulling or pushing a load on a slanted or uneven surface can result in loss of control.
- **Store idle drag harrow**. When **drag harrow** is not in use, store it in a secure place out of the reach of children. Inspect it for good working condition prior to storage and before re-use.

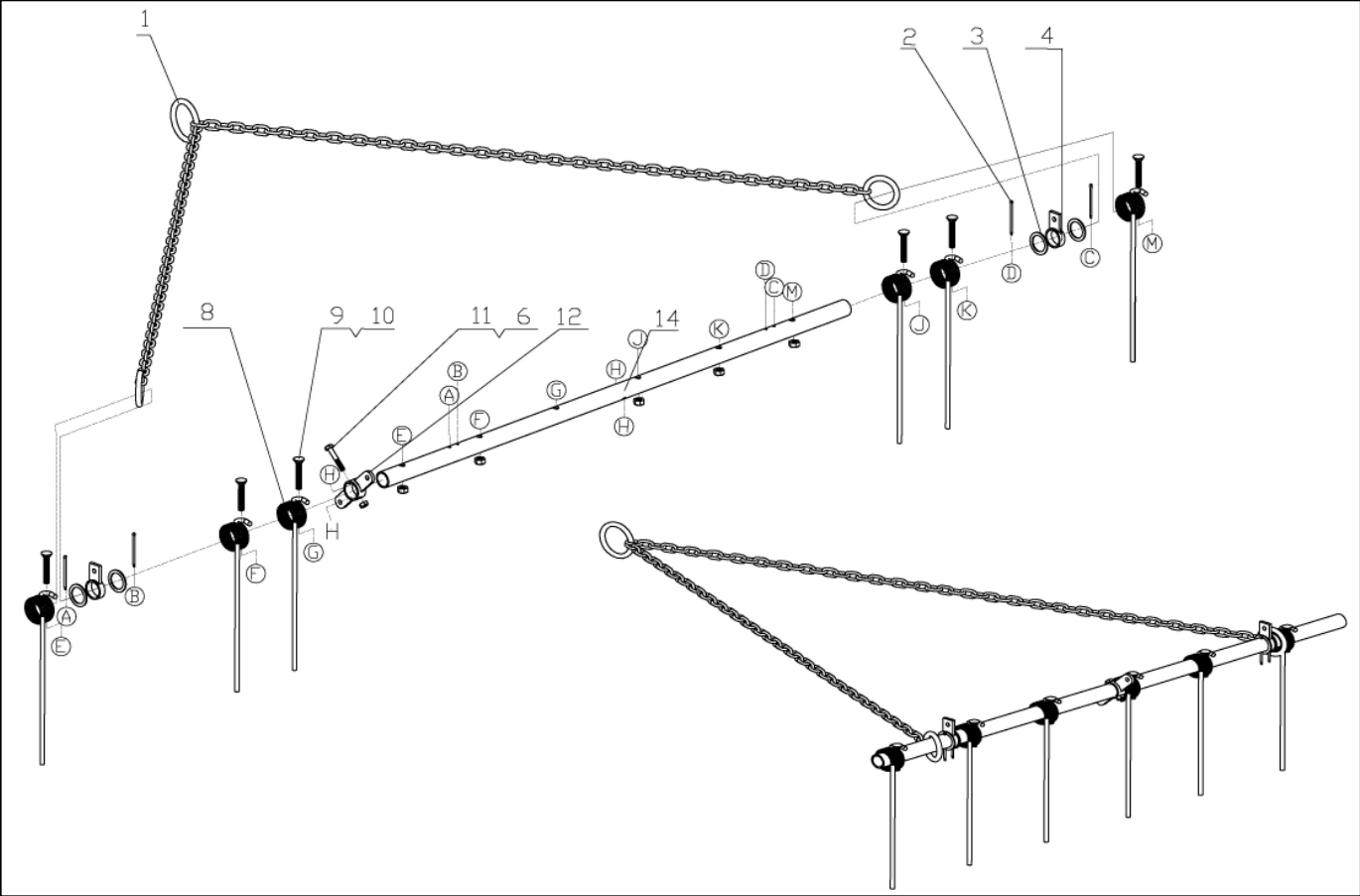
# ASSEMBLY

Remove and identify loose parts from carton and bag.



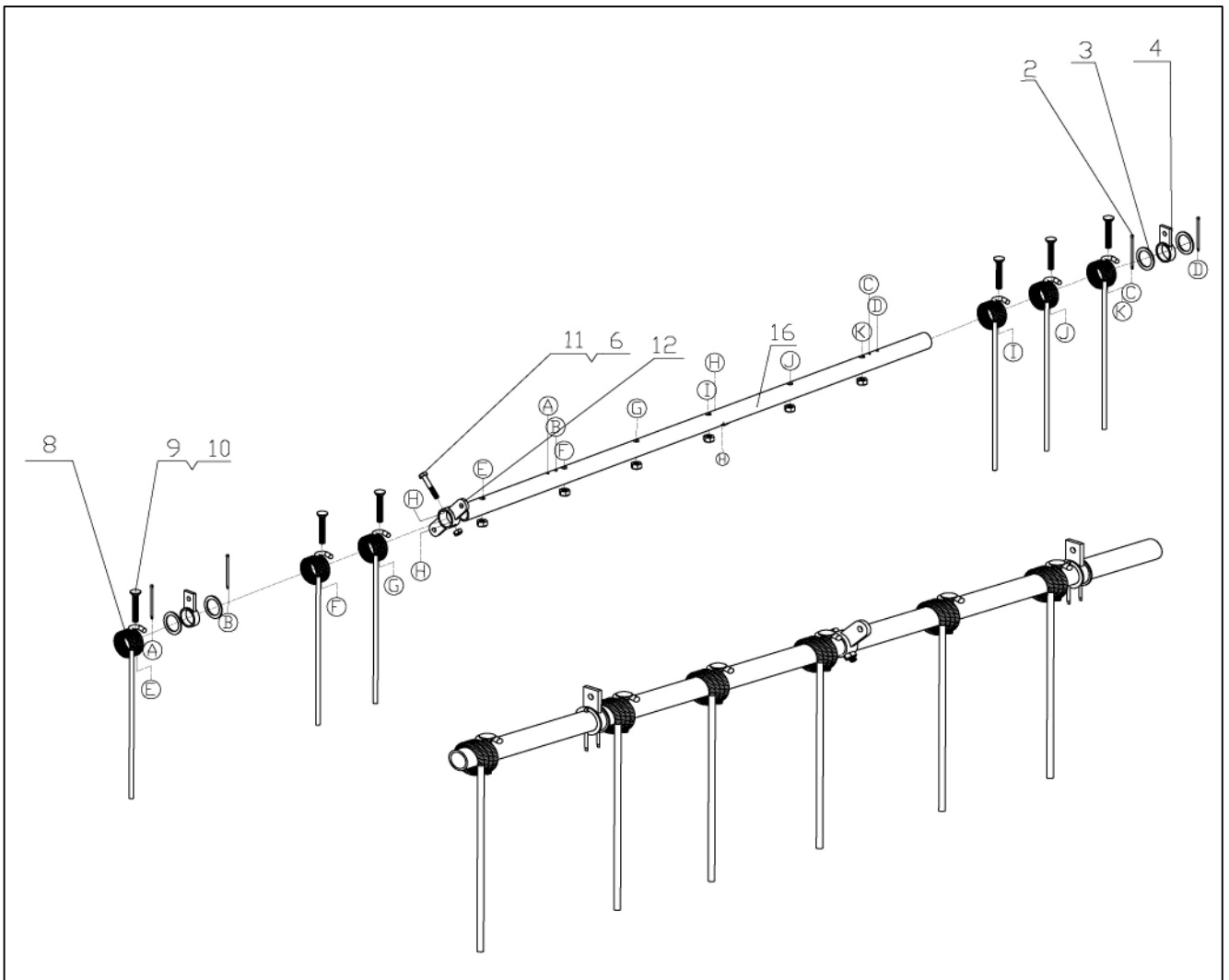
**Step 1:** Attach the Center Connecting Collar (#12) to the Crossbar A (#14) at hole position H using the Hex Bolt M8 x 50 (#11) and Lock Nut M8 (# 6). Attach the Spring Tines to the Crossbar A at position F, G, J and K using Carriage Bolts M10 x 60 (#9) and Lock Nuts M10 (#10). Attach the Outside Connecting Collar (#4) between position A and B using Flat Washers (#3) and Cotter Pins (#2) on each side of the Outside Connecting Collar; attach another Outside Connecting Collar (#4) between position C and D in the same way. Install the rings of the Chain (#1) on each side of the Crossbar A. Attach the Spring Tines to the Crossbar A at position E and M using Carriage Bolts M10 x 60 (#9) and Lock Nuts M10 (#10).

**Note:** Position Crossbar A so the A marking on the Crossbar A is near position E side, standing behind drag facing direction of travel, marking would be on the left side.



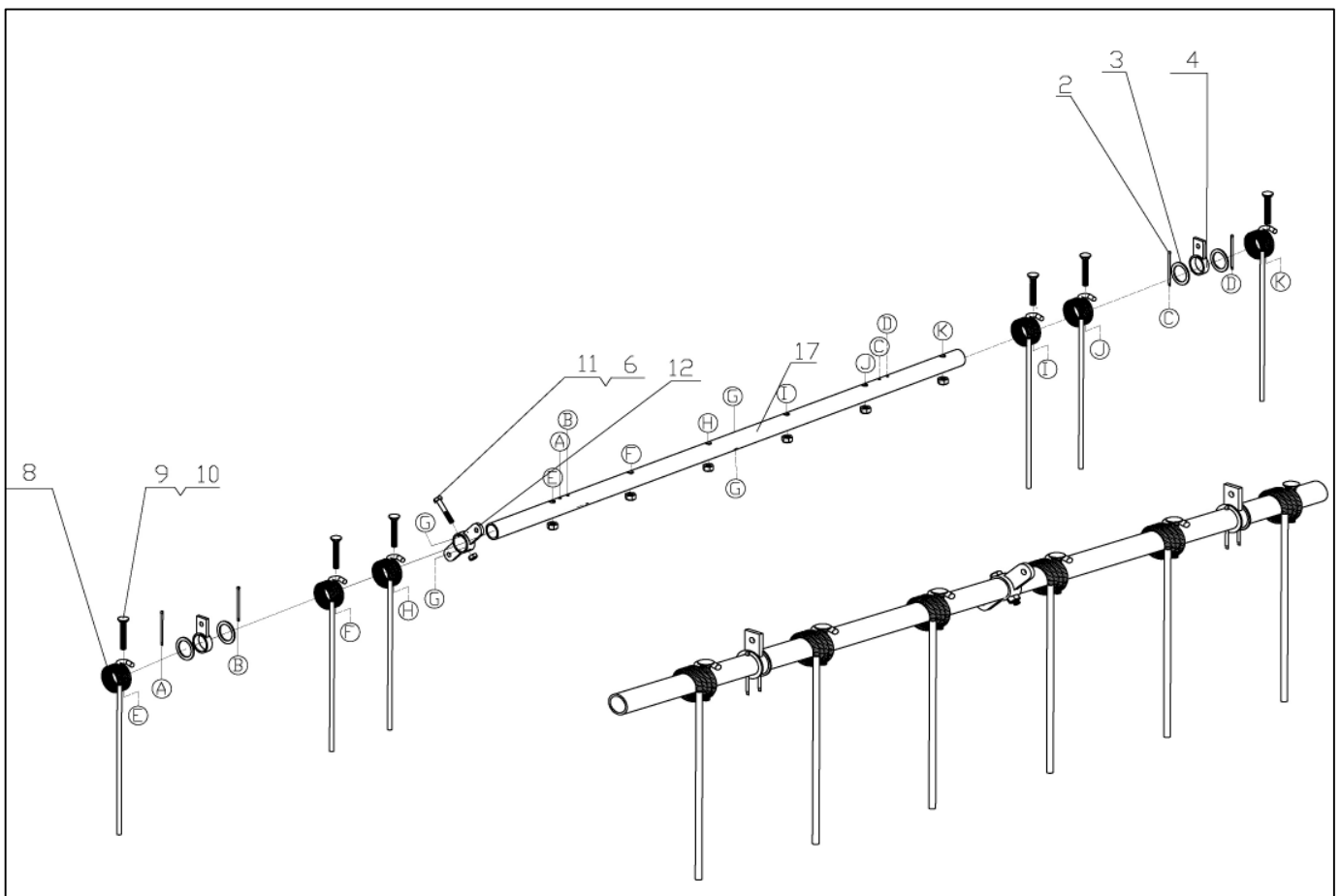
**Step 2:** Attach the Center Connecting Collar (#12) to the Crossbar B (#16) at hole position H using the Hex Bolt M8 x 50 (#11) and Lock Nut M8 (# 6). Attach the Spring Tines to the Crossbar B at position F, G, I, J and K using Carriage Bolts M10 x 60 (#9) and Lock Nuts M10 (#10). Attach the Outside Connecting Collar (#4) between position A and B using Flat Washers (#3) and Cotter Pins (#2) on each side of the Outside Connecting Collar; attach another Outside Connecting Collar (#4) between position C and D in the same way. Attach the Spring Tines to the Crossbar B at position E using Carriage Bolts M10 x 60 (#9) and Lock Nuts M10 (#10).

**Note:** Position Crossbar B so the B marking on the Crossbar B is near position E side, standing behind drag facing direction of travel, marking would be on the left side.



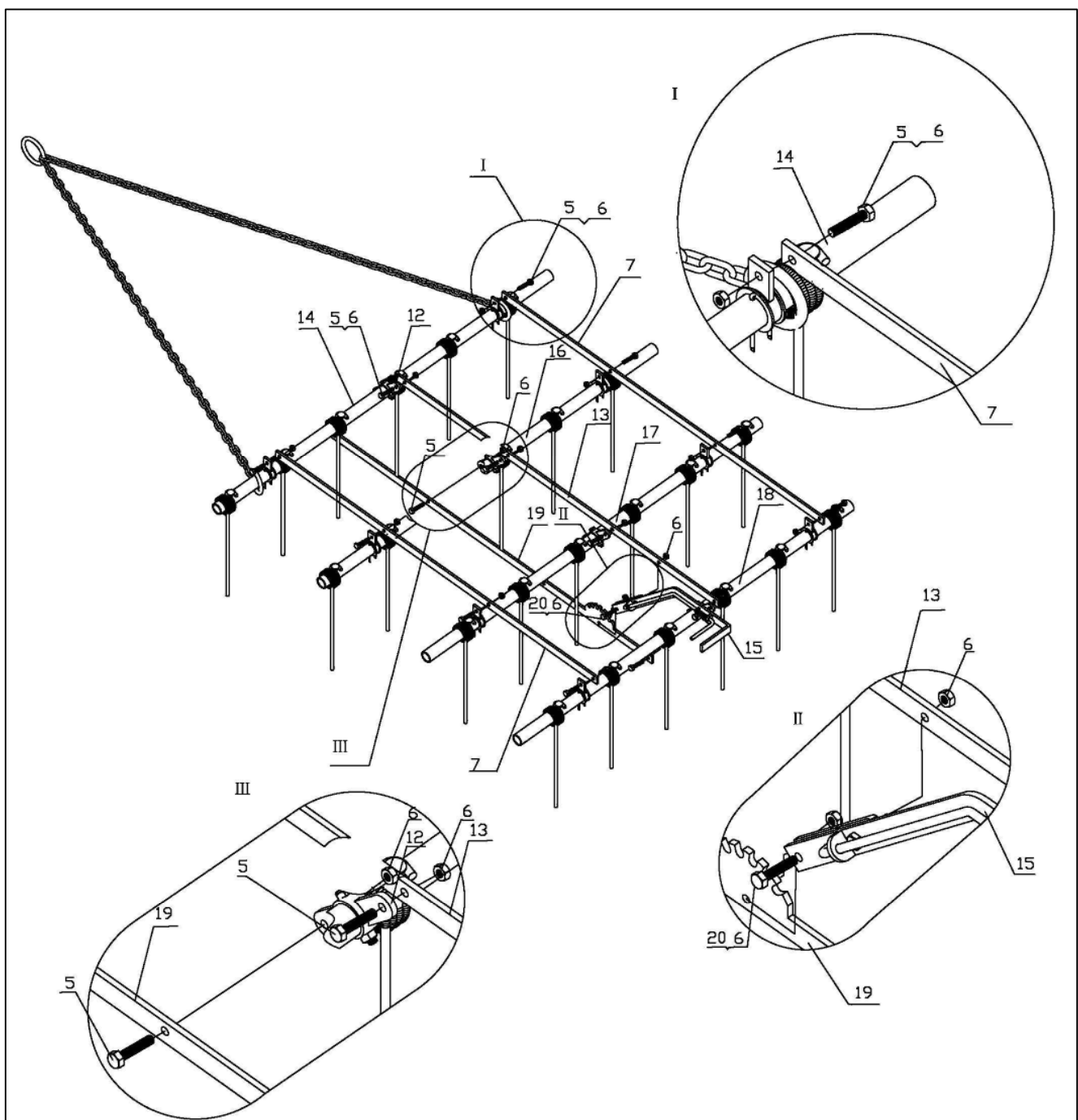
**Step 3:** Attach the Center Connecting Collar (#12) to the Crossbar C (#17) at hole position H using the Hex Bolt M8 x 50 (#11) and Lock Nut M8 (# 6). Attach the Spring Tines to the Crossbar C at position F, H, I, and J using Carriage Bolts M10 x 60 (#9) and Lock Nuts M10 (#10). Attach the Outside Connecting Collar (#4) between position A and B using Flat Washers (#3) and Cotter Pins (#2) on each side of the Outside Connecting Collar; attach another Outside Connecting Collar (#4) between position C and D in the same way. Attach the Spring Tines to the Crossbar C at position E and K using Carriage Bolts M10 x 60 (#9) and Lock Nuts M10 (#10).

**Note:** Position Crossbar C so the B marking on the Crossbar C is near position E side, standing behind drag facing direction of travel, marking would be on the left side.



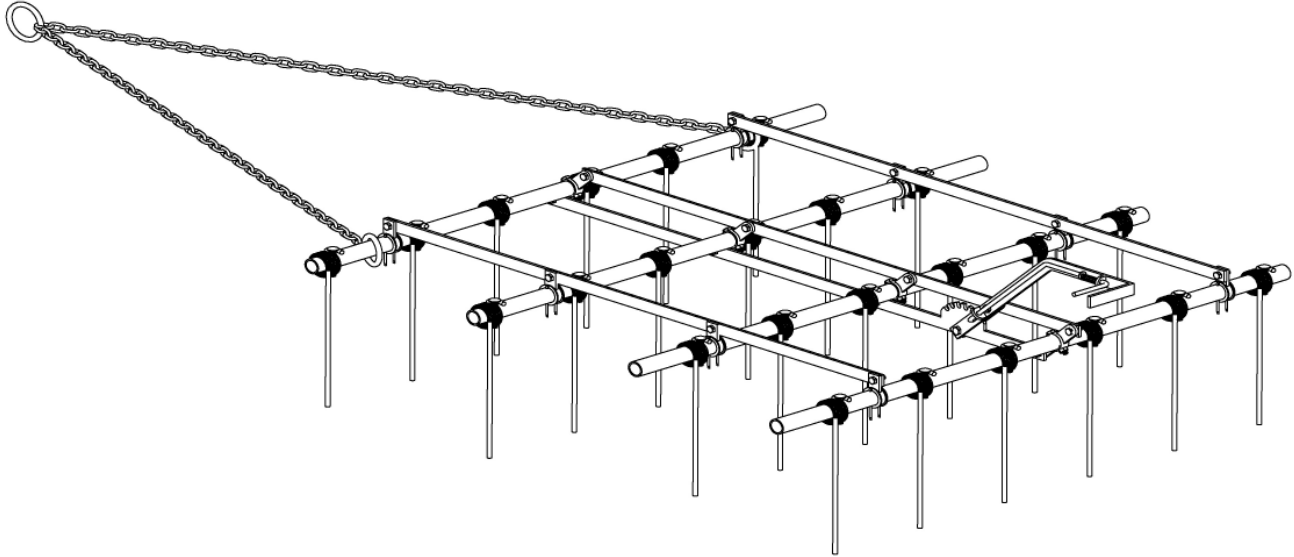
**Step 4:** Repeat the same procedure as **Step 3** for the Crossbar D.

**Step 5:** Attach the Center Bottom Connecting Bar B (#19) under Crossbars A, B, C and D. Attach it to each Center Connecting Collars (#12) on each of the Crossbars using Hex Bolts M8 x 25 (#5) and Lock Nuts M8 (#6). Attach the Handle (#15) to the Center Connecting Bar B (#19) using Hex Bolt M8 x 30 (#20) and Lock Nut M8 (#6). Install Center Top Connecting Bar C (#13) to the top side of each Center Connecting Collars (#12) on each of the Crossbars using Hex Bolts M8 x 25 (#5) and Lock Nuts M8 (#6). Attach the Handle (#15) to the Connecting Bar C (#13) using the Hex Bolt on the Handle and Lock Nut M8 (#6). Install the two Outside Connecting Bars A (# 7) to each side of the Outside Connecting Collars (#4) using Hex Bolts M8 x 25 (#5) and Lock Nuts M8 (#6).





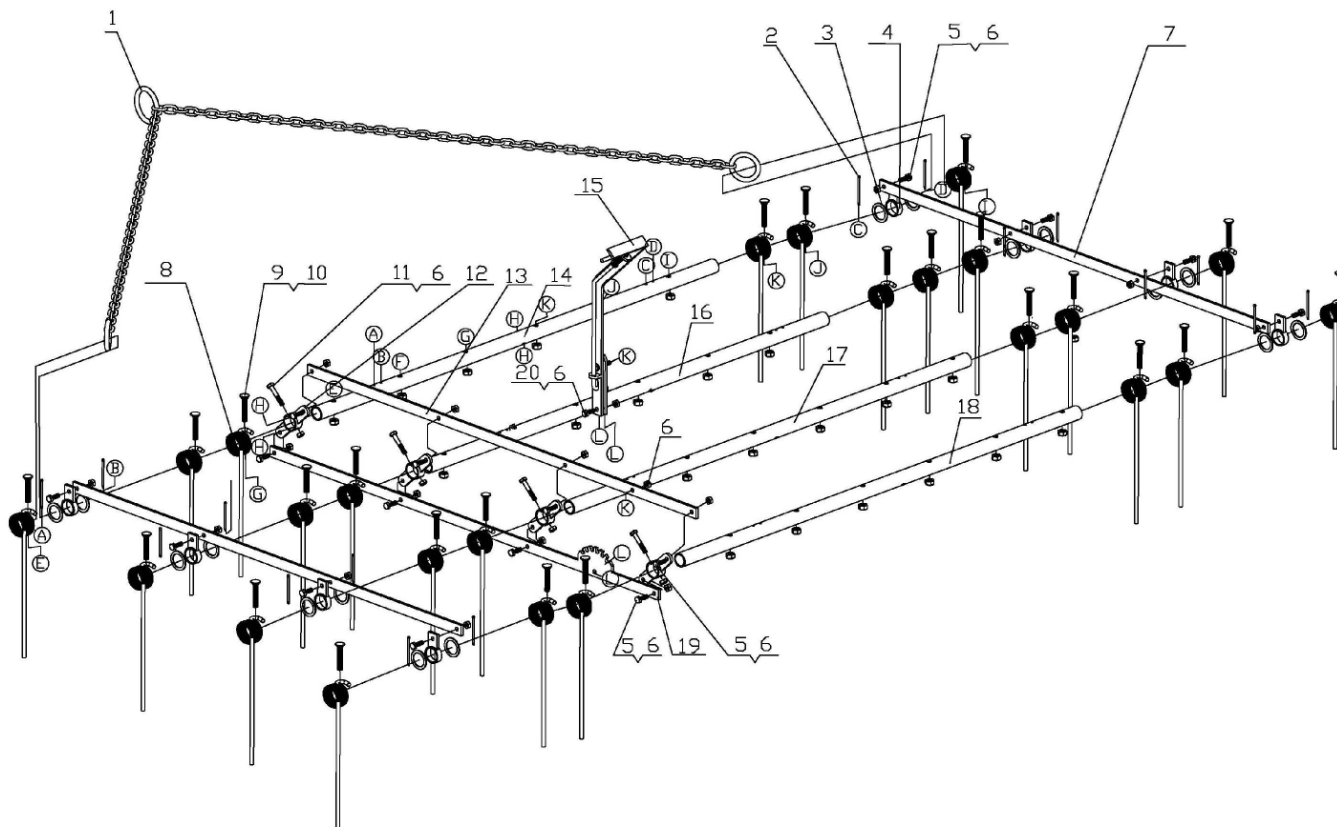
# General Assembly Image



## MAINTENANCE

- **Maintain your drag harrow.** It is recommended that the general condition of any **drag harrow** be examined before it is used. Keep your **drag harrow** in good repair by adopting a program of conscientious repair and maintenance. If any abnormal vibrations or noise occurs, have the problem corrected before further use. Have necessary repairs made by qualified service personnel.

# DIAGRAM & PARTS LIST



PART #	DESC	QTY
1	Chain	1
2	Cotter Pin Ø4x65	16
3	Flat Washer Ø44xØ32.5x2.0t	16
4	Outside Connecting Collar	8
5	Hex Bolt M8x25	16
6	Lock Nut M8	22
7	Outside Connecting Bar A	2
8	Spring Tine	24
9	Carriage Bolt M10x60	24
10	Lock Nut M10	24
11	Hex Bolt M8x50	4
12	Center Connecting Collar	4
13	Center Top Connecting Bar C	1
14	Crossbar A	1
15	Handle	1
16	Crossbar B	1
17	Crossbar C	1
18	Crossbar D	1
19	Center Bottom Connecting Bar B	1
20	Hex Bolt M8x30	1

For replacement parts and technical questions, please call **1-218-943-6296**.

## **WARRANTY**

**One-year limited warranty**



TG  
PO BOX 203  
Miltona, MN 56354  
Made in CHINA