



# **72" 3pt Cultipacker**

## **OWNER'S MANUAL**



### **WARNING:**

Read carefully and understand all **ASSEMBLY AND OPERATION INSTRUCTIONS** before operating. Failure to follow the safety rules and other basic safety precautions may result in serious personal injury.

**MODEL # FTF-0631CP3PT**

Thank you very much for choosing this product! For future reference, please complete the owner's record below:

Model: FTF-0631CP3PT Purchase Date: \_\_\_\_\_

Save the receipt, warranty, and these instructions. It is important that you read the entire manual to become familiar with this product before you begin using it.

This product is designed for certain applications only. The manufacturer cannot be responsible for issues arising from modification. We strongly recommend this product not be modified and/or used for any application other than that for which it was designed. If you have any questions relative to a particular application, DO NOT use the product until you have first contacted us to determine if it can, or should, be performed on the product.

For technical questions, please call **1-218-943-6296**.

## TECHNICAL SPECIFICATIONS

Item	Description
Packer Wheel Qty.	31
Packer Wheel Size	9.5"
3pt Hitch	Cat. 1

## IMPORTANT SAFETY INFORMATION



**WARNING:** Read and understand all instructions. Failure to follow all instructions listed below may result in serious injury.



**CAUTION:** Do not allow persons to operate or assemble this cultipacker until they have read this manual and have developed a thorough understanding of how it works.



**WARNING:** The warnings, cautions, and instructions discussed in this instruction manual cannot cover all possible conditions or situations that could occur. It must be understood by the operator that common sense and caution are factors that cannot be built into this product, but must be supplied by the operator.

**SAVE THESE INSTRUCTIONS**

## WORK AREA

- **Keep work area clean**, free of clutter, and well lit. Cluttered and dark work areas can cause accidents.
- **Keep children and bystanders** away while operating the cultipacker. Distractions can cause you to lose control, so visitors should remain at a safe distance from the work area.
- **Be alert of your surroundings.** Using a cultipacker in confined work areas may put you dangerously close to sharp tools and rotating parts.

## PERSONAL SAFETY

- **Stay alert**, watch what you are doing, and use common sense when using a cultipacker. Do not use while you are tired or under the influence of drugs, alcohol, or medication. A moment of inattention while operating a cultipacker may result in serious personal injury.
- **Dress properly.** Do not wear loose clothing, dangling objects, or jewelry. Keep your hair, clothing, and gloves away from moving parts. Loose clothes, jewelry, or long hair can be caught in moving parts.
- **Use safety apparel and equipment.** Use safety goggles or safety glasses with side shields that comply with current national standards or, when needed, a face shield. Use a dust mask if working in dusty work conditions. This applies to all persons in the work area. Also use non-skid, safety shoes, hardhat, heavy-duty work gloves, dust collections systems, and hearing protecting when appropriate.
- **Do not have passengers** on the tow vehicle when pulling the cultipacker.

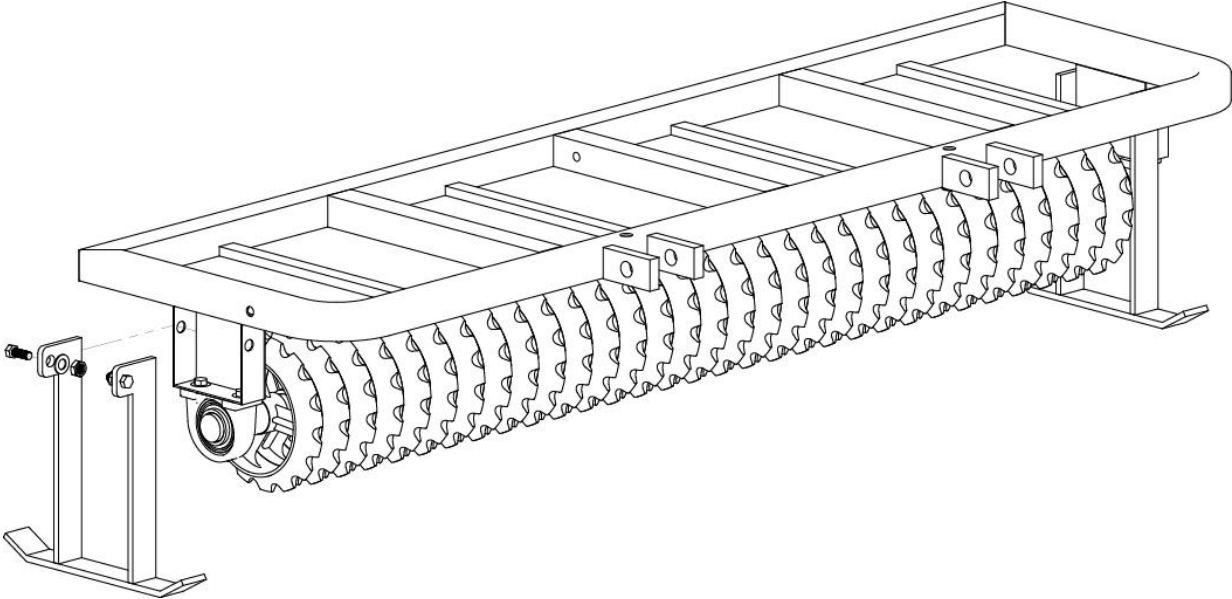
## CULTIPACKER USE AND CARE

- **Do not modify the cultipacker in any way.** Unauthorized modification may impair the function and/or safety and could affect the life of the equipment. There are specific applications for which the cultipacker was designed.
- **Always check for damaged or worn-out parts before using the cultipacker.** Broken parts will affect cultipacker operation. Replace or repair damaged or worn parts immediately.
- **Store idle cultipacker.** When the cultipacker is not in use, store it in a secure place out of the reach of children. Inspect it for good working condition prior to storage and before re-use.
- **There are two grease points on the cultipacker.** There is a bearing on each end of the packer wheel shaft. It is recommended that these bearings be greased at least every 4 hours. In dusty conditions more frequent greasing may be necessary.
- **For best results it may be necessary to pack the soil before seeding and then pack the soil a second time after seeding.** This is especially true with small seeds that require shallow seeding.

# ASSEMBLY

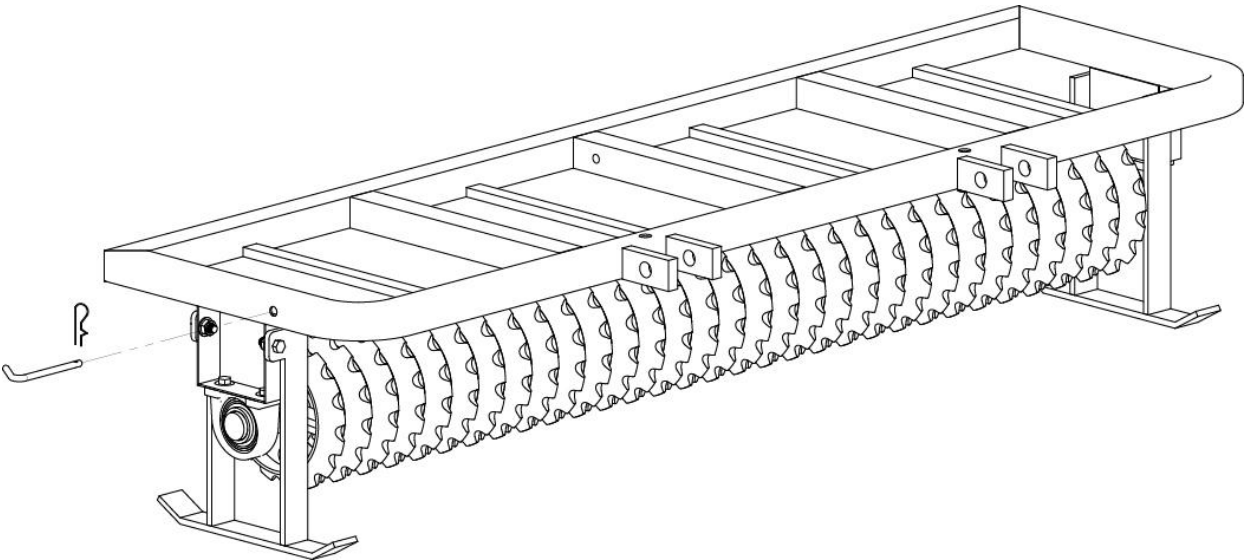
## Step #1:

Attach two Stands (16) to the Frame (6) using four Bolts (9), four Washers (10), and four Nuts (15).



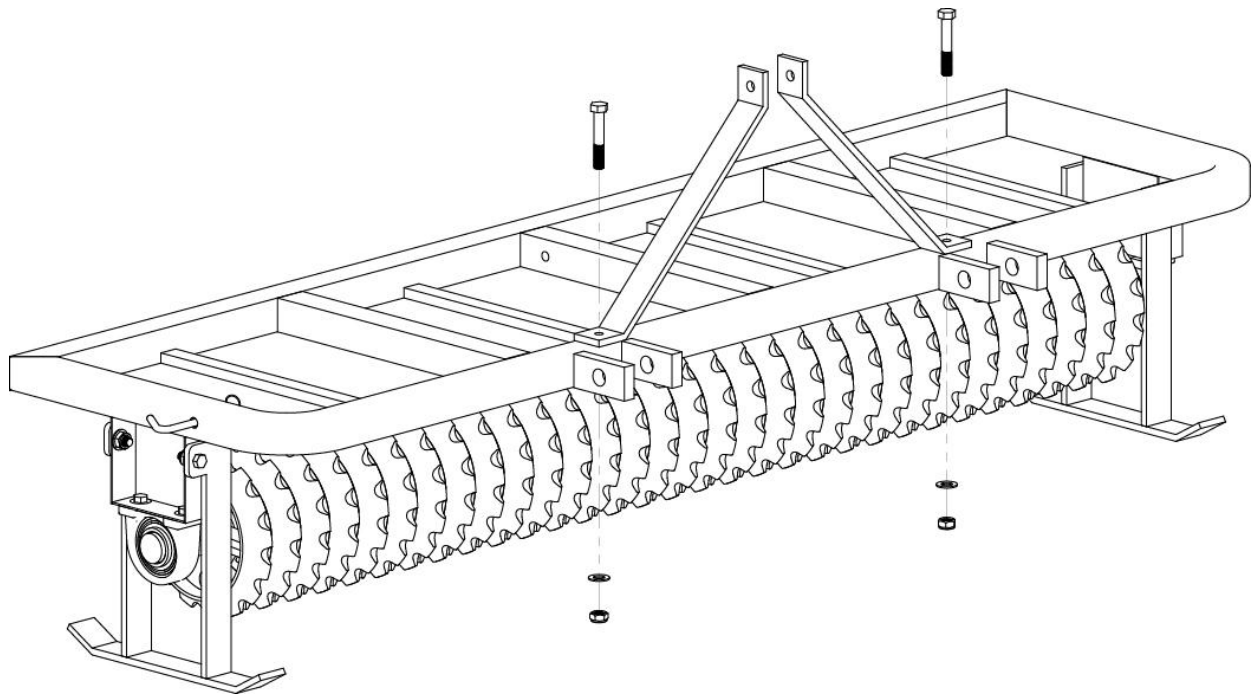
## Step #2:

Attach two Locking Pins (8) to the Frame (6) using two Clip Pins (7).



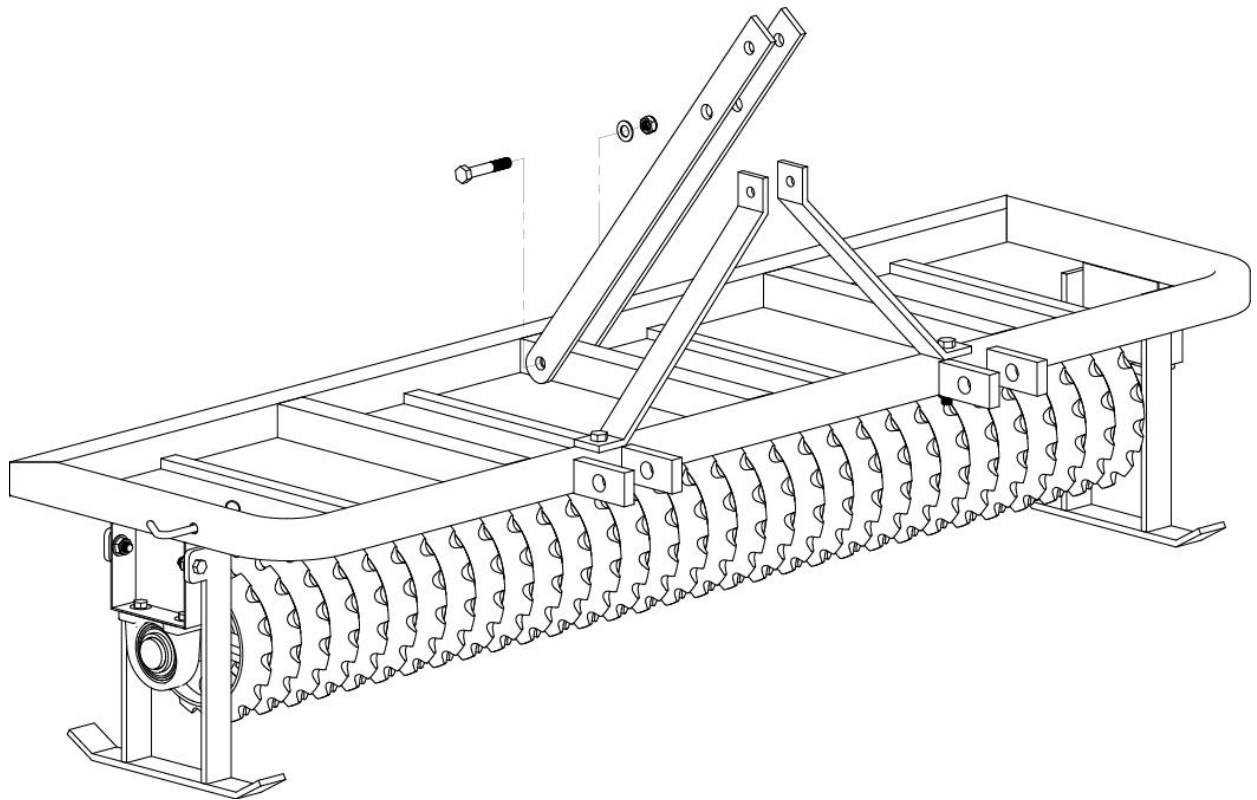
**Step #3:**

**Attach two Braces (5) to the Frame (6) using two Bolts (9), two Washers (10), and two Nuts (15)**



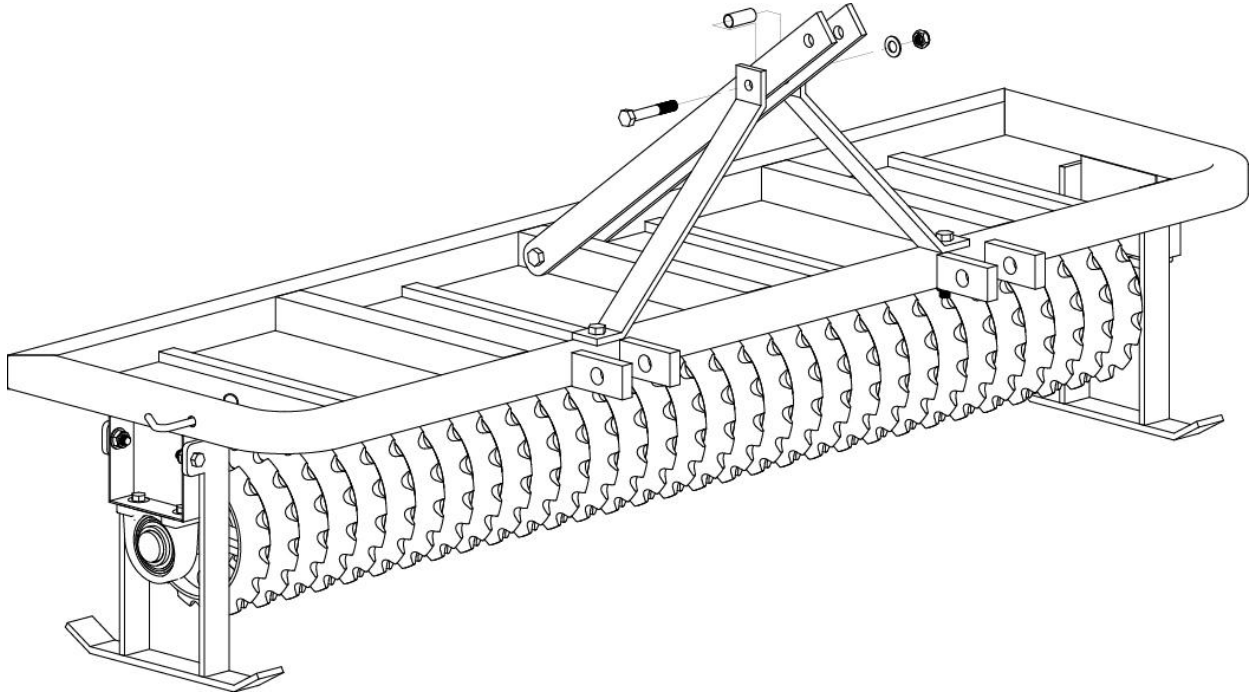
**Step #4:**

**Attach two Struts (4) to the Frame (6) using one Bolt (2), one Washer (10), and one Nut (15)**



**Step #5:**

**Attach two Struts (4) to two Braces (5) using one Bolt (3), one Spacer (1), one Washer (10) and one Nut (15).**



## **OPERATION**

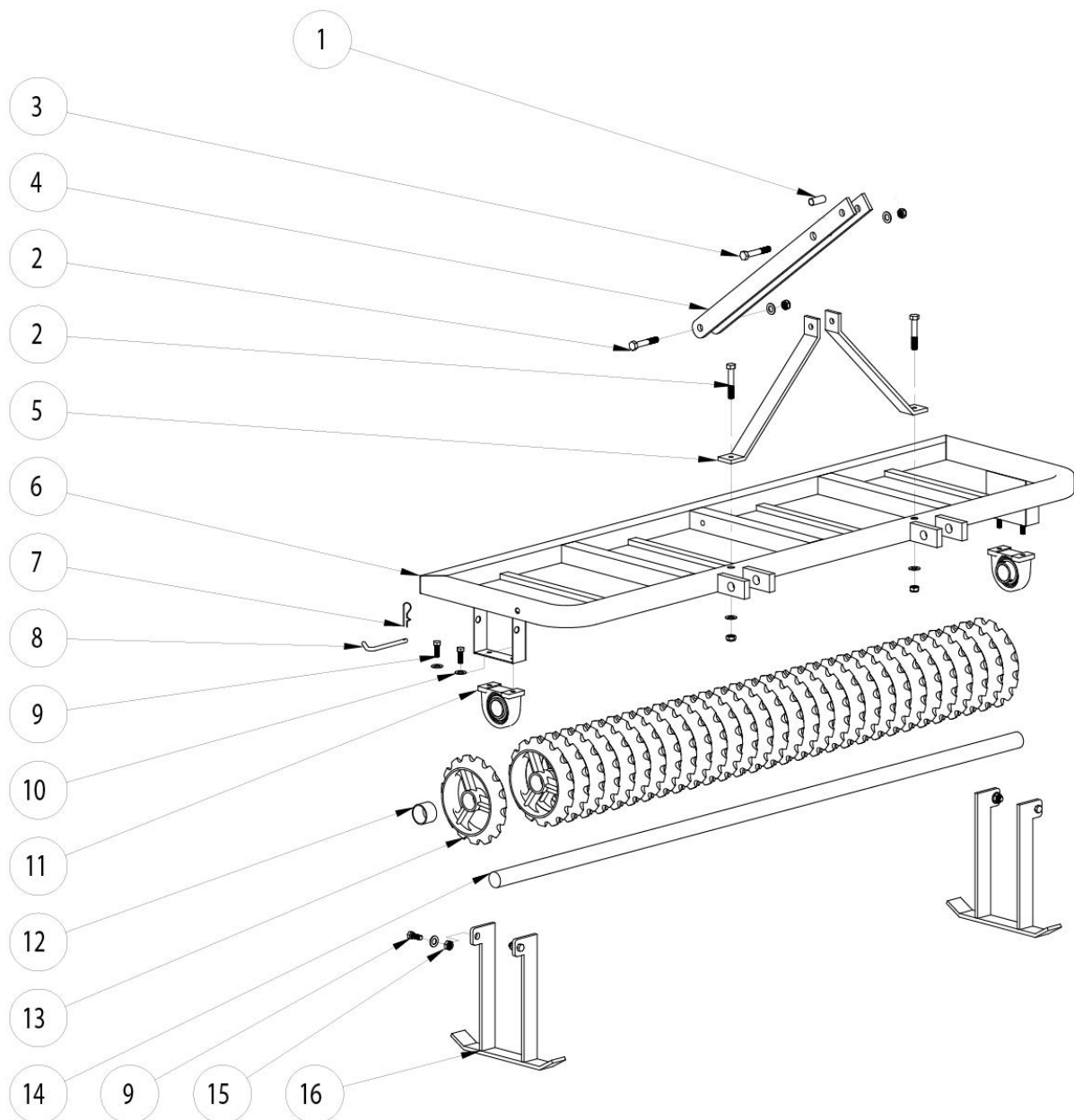
The Cultipacker can be used with category 1 tractor with 3 point hitch equipment. The operation position is when the cast iron packer wheels are lower than the two stands. Lifting and locking the stands allows the cultipacker to pulverize soil clumps and create moisture retaining dimples.

## **CAST IRON PACKER WHEEL REPLACEMENT**

Release the small bolt in the bearing coupler, then the shaft can be removed from the bearing coupler and the wheels taken off. Replace damaged packer wheels as needed.

## PARTS LIST:

ITEM NO.	DESCRIPTION	QTY.	ITEM NO.	DESCRIPTION	QTY.
1	Spacer	1	9	Bolt M14 x 25mm	8
2	Bolt M14 x 90mm	3	10	Washer M14	12
3	Bolt M14 x 115mm	1	11	Bearing Assembly	2
4	Strut	2	12	Bushing	2
5	Brace	2	13	Packing Wheel	31
6	Frame	1	14	Wheel Axle	1
7	Clip Pin M3mm	2	15	Nut M14	8
8	Locking Pin M8x60x20mm	2	16	Stand	2



For technical questions, please call **1-218-943-6296**.

## MAINTENANCE

- **Maintain your cultipacker.** It is recommended that the general condition of any cultipacker be examined before it is used. Keep your cultipacker in good repair by adopting a program of conscientious repair and maintenance. If any abnormal vibrations or noise occurs, have the problem corrected before further use. Have necessary repairs made by qualified service personnel.

## WARRANTY

**One-year limited parts warranty.**



TG  
PO BOX 203  
Miltona, MN 56354  
Made in China