



## **48" 3PT CULTIVATOR**

### **OWNER'S MANUAL**



#### **WARNING:**

Carefully read and understand all **ASSEMBLY AND OPERATION INSTRUCTIONS** before operating. Failure to follow the safety rules and other basic safety precautions may result in serious personal injury.

**Item# FTF-48C3PT**

Thank you very much for choosing this product! For future reference, please complete the owner's record below:

Model: FTF-48C3PT Purchase Date: \_\_\_\_\_

Save the receipt, the warranty, and these instructions. It is important that you read the entire manual to become familiar with this product before you begin using it.

This product is designed for certain applications only. The manufacturer cannot be responsible for issues arising from modification. We strongly recommend that this product not be modified and/or used for any application other than that for which it was designed. If you have any questions relative to a particular application, DO NOT use the product until you have first contacted us to determine if it can, or should, be performed on the product.

For technical questions, please call **1-218-943-6296**.

## INTENDED USE

The 48" 3 pt. Cultivator is the perfect tool for cultivating your soil. This cultivator has a working width of 48" to allow for fast and efficient work. It is designed with seven heavy-duty shovels measuring 7.6" x 1.36" each and effectively cut through your soil for ideal cultivation. You can easily attach and use this hassle-free cultivator with your Category 1 tractor.

## TECHNICAL SPECIFICATIONS

Item	Description
Coverage	48" working width
Shovel Qty.	7
Shovel Size	7.6" x 1.36"
Hitch Style	Fits Category 1 tractors
Extension Kit Available	Extends working width to 72"

## GENERAL SAFETY RULES



**WARNING:** Read and understand all instructions. Failure to follow all instructions listed below may result in serious injury.



**CAUTION:** Do not allow persons to operate or assemble this Cultivator until they have read this manual and have developed a thorough understanding of how the Cultivator works.



**WARNING:** The warnings, cautions, and instructions discussed in this instruction manual cannot cover all possible conditions or situations that could occur. It must be understood by the operator that common sense and caution are factors that cannot be built into this product, but must be supplied by the operator.

## SAVE THESE INSTRUCTIONS

## WORK AREA

- **Keep work area clean**, free of clutter, and well lit. Cluttered and dark work areas can cause accidents.
- **Keep children and bystanders** away while operating a Cultivator. Distractions can cause you to lose control, so visitors should remain at a safe distance from the work area.
- **Be alert of your surroundings.** Using a Cultivator in confined work areas may put you dangerously close to sharp tools and rotating parts.

## PERSONAL SAFETY

- **Stay alert**, watch what you are doing, and use common sense when using a Cultivator. Do not use a Cultivator while you are tired or under the influence of drugs, alcohol, or medication. A moment of inattention while operating a Cultivator may result in serious personal injury.
- **Dress properly.** Do not wear loose clothing, dangling objects, or jewelry. Keep your hair, clothing, and gloves away from moving parts. Loose clothes, jewelry, or long hair can be caught in moving parts.
- **Use safety apparel and equipment.** Use safety goggles or safety glasses with side shields that comply with current national standards or, when needed, a face shield. Use a dust mask if working in dusty work conditions. This applies to all persons in the work area. Also use non-skid, safety shoes, hard hats, gloves, dust collection systems, and hearing protection when appropriate.

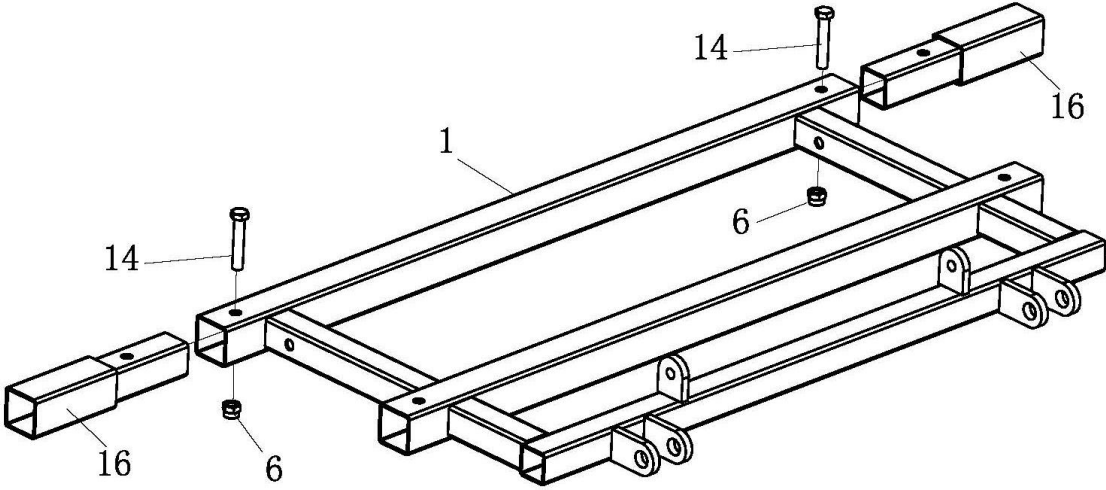
## CULTIVATOR USE AND CARE

- **Do not modify the Cultivator in any way.** Unauthorized modification may impair the function and/or safety and could affect the life of the equipment. There are specific applications for which the Cultivator was designed.
- **Always check for damaged or worn-out parts before using the Cultivator.** Broken parts will affect the Cultivator operation. Replace or repair damaged or worn parts immediately.
- **Do not exceed the Cultivator load capacity.**
- **Distribute the load evenly.** Uneven loads may cause the Cultivator to tip, resulting in personal injury to the operator or others.
- **Use the Cultivator on flat and level surfaces** capable of supporting the Cultivator and its maximum load. Pulling or pushing a load on a slanted or uneven surface can result in loss of control.
- **Store idle Cultivator.** When Cultivator is not in use, store it in a secure place out of the reach of children. Inspect it for good working condition prior to storage and before re-use.

# ASSEMBLY

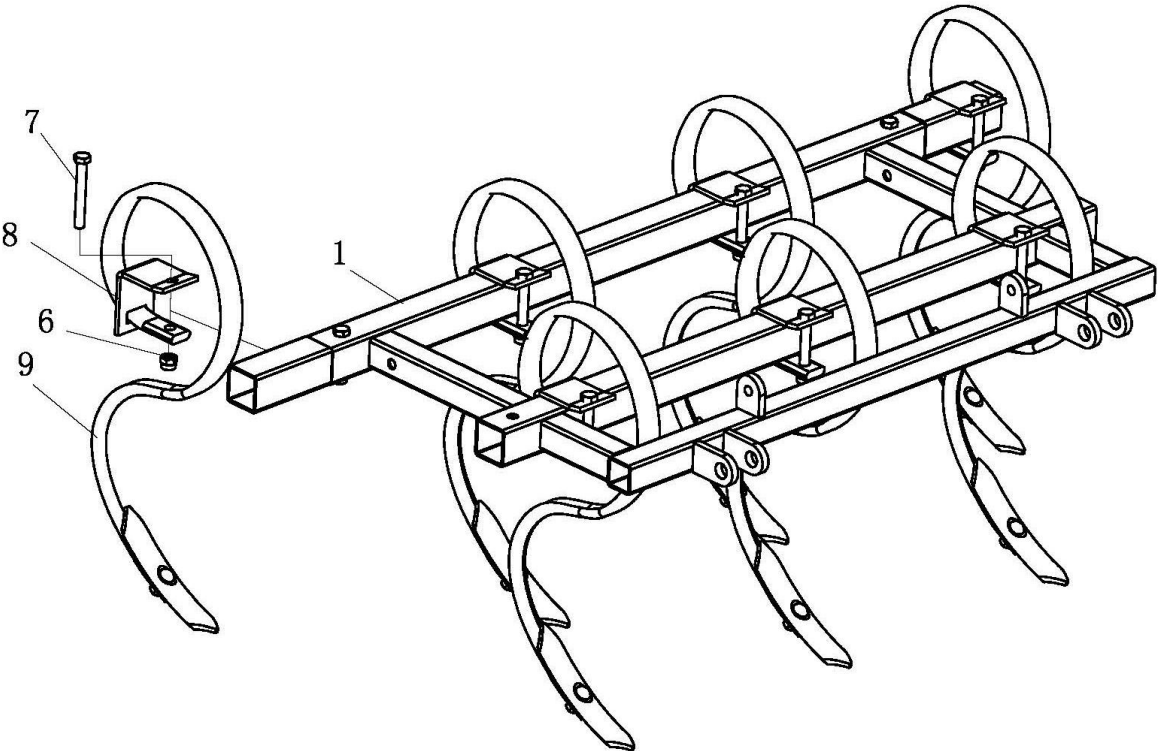
## Step #1:

Assemble the two Extension Tubes (#16) to the Frame (#1), using two Hex Bolts (#14) and two Hex Lock Nuts (#6).



## Step #2:

Assemble seven S-tines (#9) to the Frame (#1), using seven Hex Bolts (#7), seven S-tine Brackets (#8), and seven Hex Lock Nuts (#6).



Step #3:

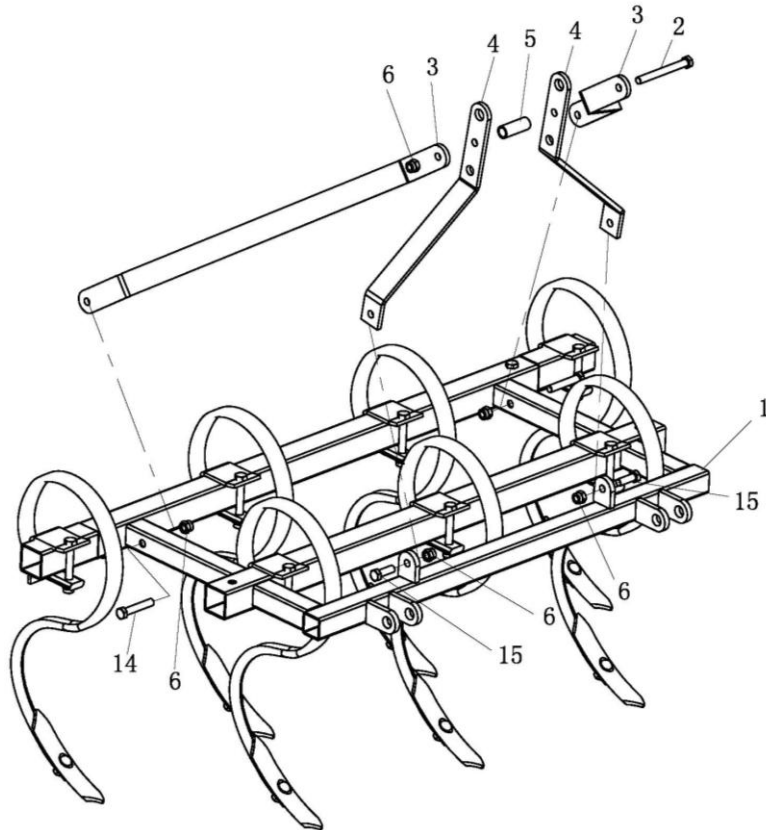
Attached two Long Support Brackets (#3) to the Frame (#1), using two Hex Bolts (#14) and two Hex Lock Nuts (#6).

Step #4:

Attach two Short Support Brackets (#4) to the Frame (#1), using two Hex Bolts (#15) and two Hex Lock Nuts (#6).

Step #5:

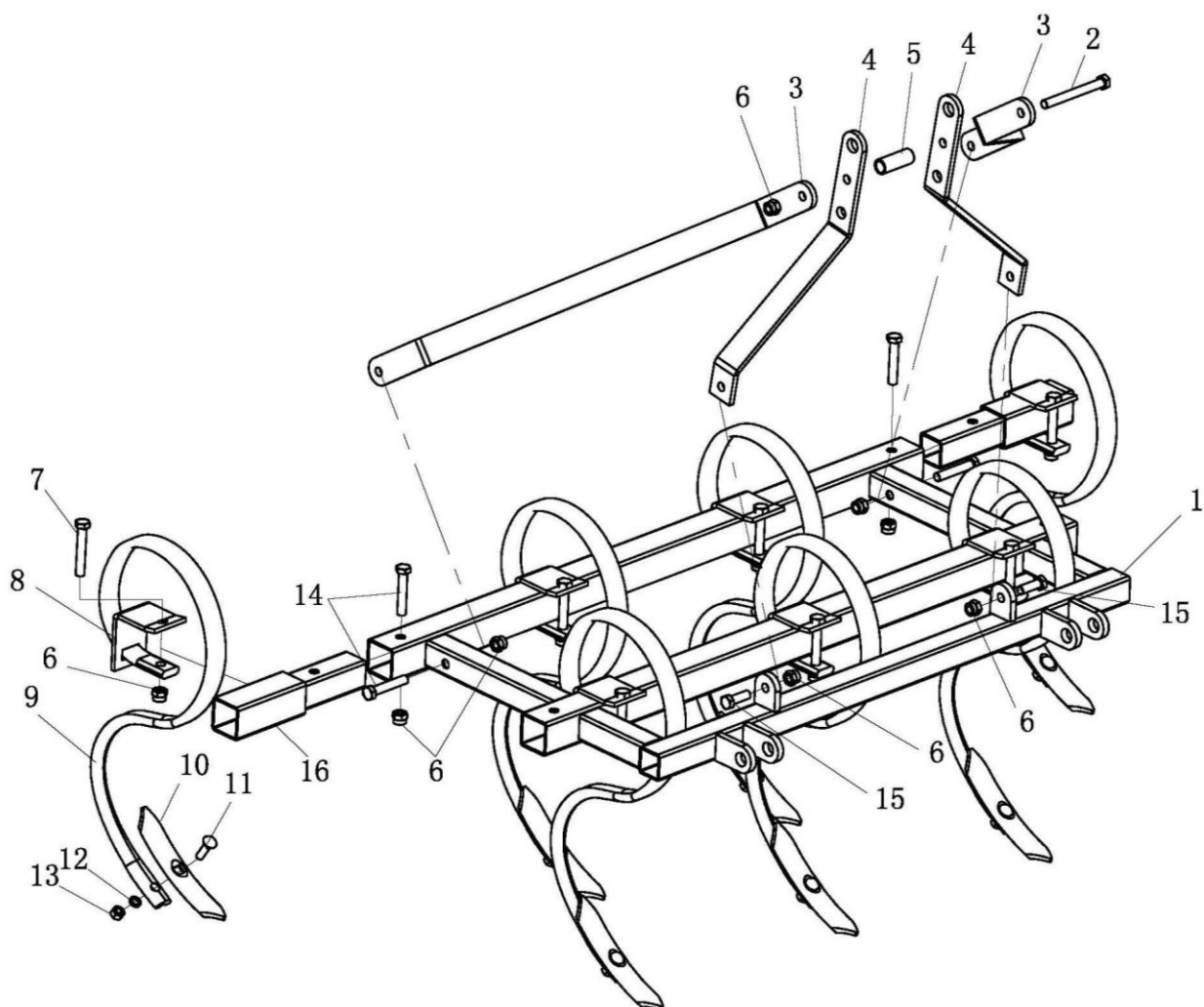
Connect the Long Support Brackets (#3) and the Short Support Brackets (#4), using one Hex Bolt (#2), one Spacer (#5), and one Hex Lock (#6).



## MAINTENANCE

- **Maintain your Cultivator.** It is recommended that the general condition of any Cultivator be examined before it is used. Keep your Cultivator in good repair by adopting a program of conscientious repair and maintenance. If any abnormal vibrations or noise occurs, have the problem corrected before further use. Have necessary repairs made by qualified service personnel.

# DIAGRAM & PARTS LIST



Part #	Description	Qty.	Part #	Description	Qty.
1	Frame	1	9	S-tine	7
2	Hex Bolt M12*110	1	10	Shovel	7
3	Long Support Bracket	2	11	Bolt M10*35	7
4	Short Support Bracket	2	12	Spring Washer	7
5	Spacer	1	13	Hex Nut M10	7
6	Hex Lock Nut M12	14	14	Hex Bolt M12*65	4
7	Hex Bolt M12*90	7	15	Hex Bolt M12*35	2
8	S-tine Bracket	7	16	Extension Tube	2

For technical questions, please call 1-218-943-6296.

## **WARRANTY**

**One-year limited parts warranty.**



TG  
PO BOX 203  
Miltona, MN 56354  
Made in China