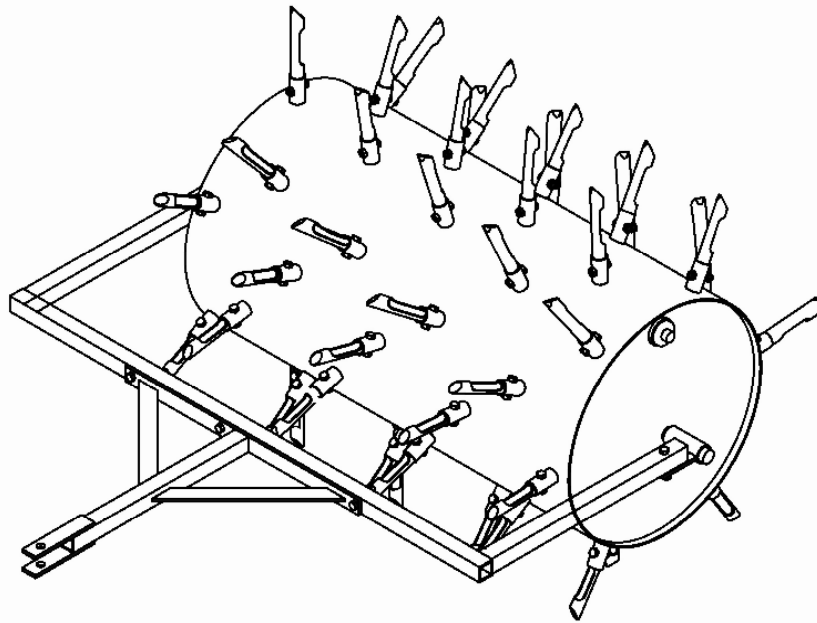




# 36" Drum Plug Aerator

## OWNER'S MANUAL



### **WARNING:**

Read carefully and understand all **ASSEMBLY AND OPERATION INSTRUCTIONS** before operating. Failure to follow the safety rules and other basic safety precautions may result in serious personal injury.

**Item# DE-36**

Thank you very much for choosing this product! For future reference, please complete the owner's record below:

Model: \_\_\_\_\_ DE-36 \_\_\_\_\_ Purchase Date: \_\_\_\_\_

Save the receipt, warranty and these instructions. It is important that you read the entire manual to become familiar with this product before you begin using it.

This product is designed for certain applications only. The manufacturer cannot be responsible for issues arising from modification. We strongly recommend this product not be modified and/or used for any application other than that for which it was designed. If you have any questions relative to a particular application, DO NOT use the product until you have first contacted us to determine if it can or should be performed on the product.

For technical questions please call **1-218-943-6296**.

## INTENDED USE

Using this drum plug aerator helps lawns breathe and get more nutrients into the soil.

## TECHNICAL SPECIFICATIONS

Item	Description
Plug QTY	54
Plug length	5"
Water capacity	39.6 Gallons
Drum Dimensions	36" wide x 18" diameter drum

## GENERAL SAFETY RULES



**WARNING:** Read and understand all instructions. Failure to follow all instructions listed below may result in serious injury.



**CAUTION:** Do not allow persons to operate or assemble this drum plug aerator until they have read this manual and have developed a thorough understanding of how the drum plug aerator works.



**WARNING:** The warnings, cautions, and instructions discussed in this instruction manual cannot cover all possible conditions or situations that could occur. It must be understood by the operator that common sense and caution are factors which cannot be built into this product, but must be supplied by the operator.

## SAVE THESE INSTRUCTIONS

## WORK AREA

- **Keep work area clean**, free of clutter and well lit. Cluttered and dark work areas can cause accidents.
- **Keep children and bystanders** away while operating a **drum plug aerator**. Distractions can cause you to lose control, so visitors should remain at a safe distance from the work area.
- **Be aware of all power lines, electrical circuits**, water pipes and other mechanical hazards in your work area, particularly those hazards below the work surface hidden from the operator's view that may be unintentionally contacted and may cause personal harm or property damage.
- **Be alert of your surroundings**. Using a **drum plug aerator** in confined work areas may put you in a dangerous situation.

## PERSONAL SAFETY

- **Stay alert**, watch what you are doing and use common sense when using a **drum plug aerator**. Do not use a **drum plug aerator** while you are tired or under the influence of drugs, alcohol or medication. A moment of inattention while operating a lawn tractor may result in serious personal injury.
- **Dress properly**. Do not wear loose clothing, dangling objects, or jewelry. Keep your hair, clothing and gloves away from moving parts. Loose clothes, jewelry or long hair can be caught in moving parts.
- **Use safety apparel and equipment**. Use safety goggles or safety glasses with side shields which comply with current national standards, or when needed, a face shield. Use as dust mask in dusty work conditions. This applies to all persons in the work area. Also use non-skid safety shoes, hardhat, gloves, dust collection systems, and hearing protection when appropriate.

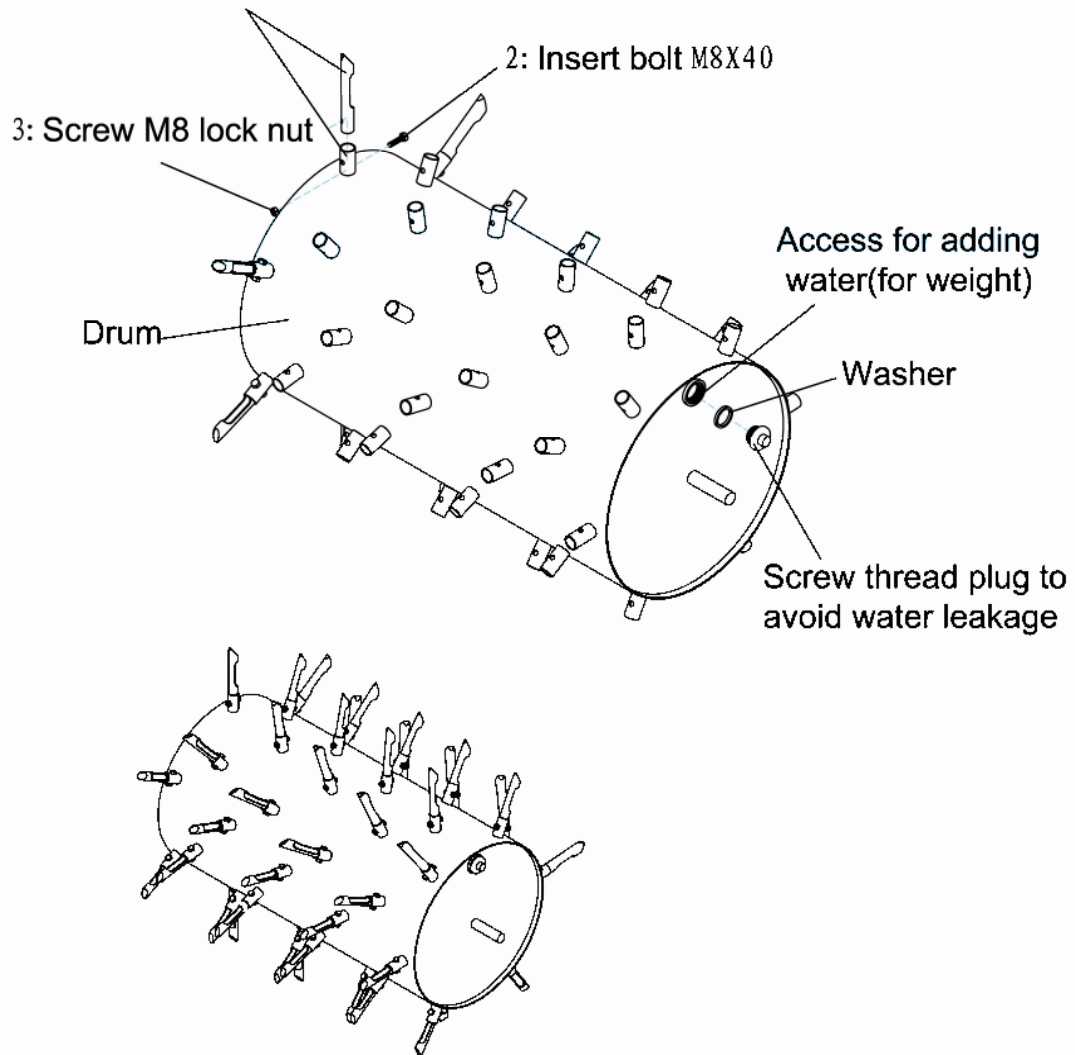
## DRUM PLUG AERATOR USE AND CARE

- **Do not modify the drum plug aerator in any way**. Unauthorized modification may impair the function and/or safety and could affect the life of the equipment. There are specific applications for which the **drum plug aerator** was designed.
- **Always check of damaged or worn out parts before using the drum plug aerator**. Broken parts will affect the **drum plug aerator** operation. Replace or repair damaged or worn parts immediately.
- **Do not exceed the drum plug aerator load capacity**.
- **Distribute the load evenly**. Uneven loads may cause the **drum plug aerator** to tip, resulting in personal injury to the operator or others.
- **Use the drum plug aerator on flat and level surfaces** capable of supporting the **drum plug aerator** and its maximum load. Pulling or pushing a load on a slanted or uneven surface can result in loss of control.
- **Store idle drum plug aerator**. When **drum plug aerator** is not in use, store it in a secure place out of the reach of children. Inspect it for good working condition prior to storage and before re-use.
- **Drain any water in the drum after each use**.

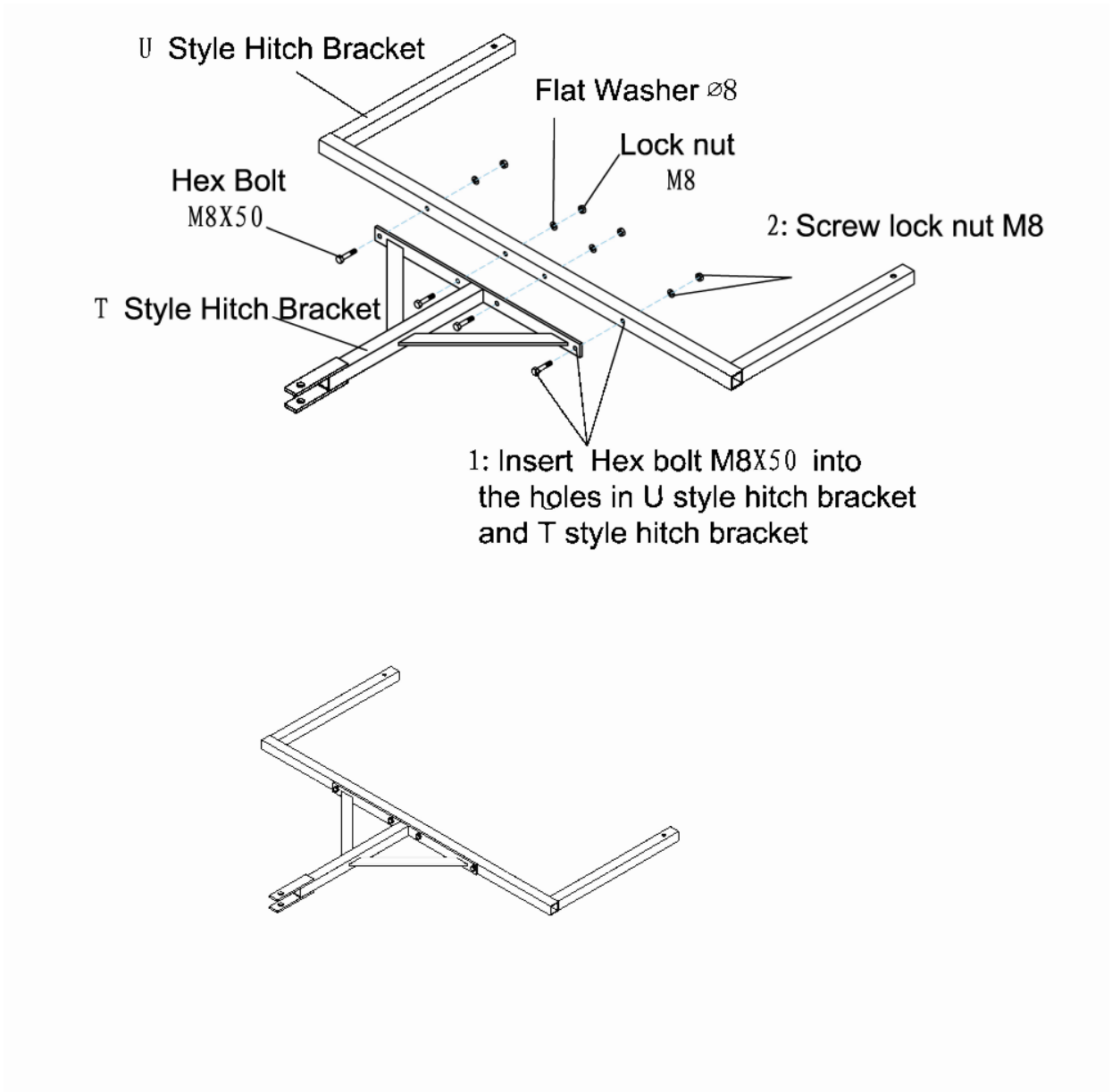
## ASSEMBLY

### Attach plugs

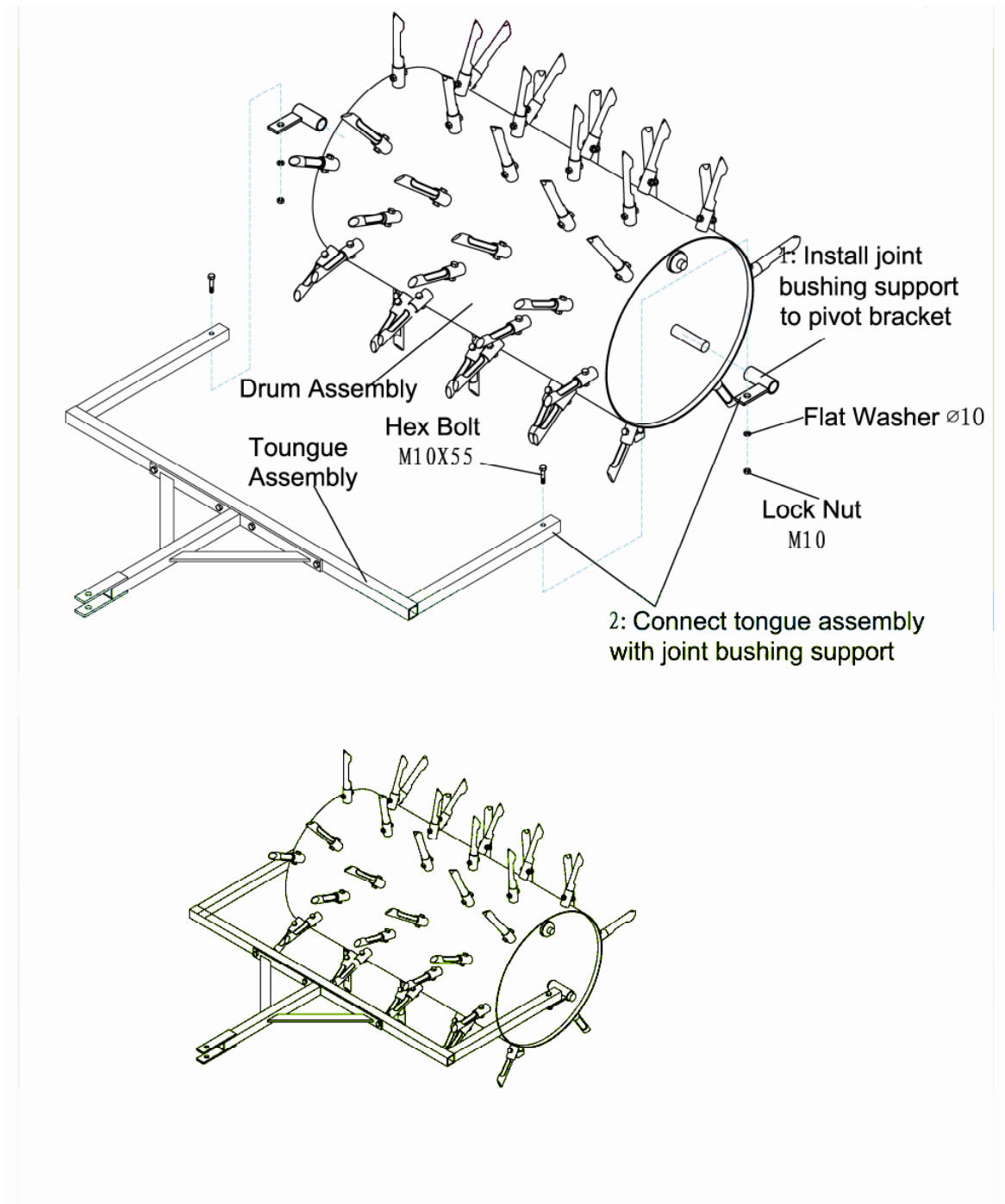
- 1: Insert plunger into plunger holder and line up holes to prepare for step 2



## Assemble the hitch bracket



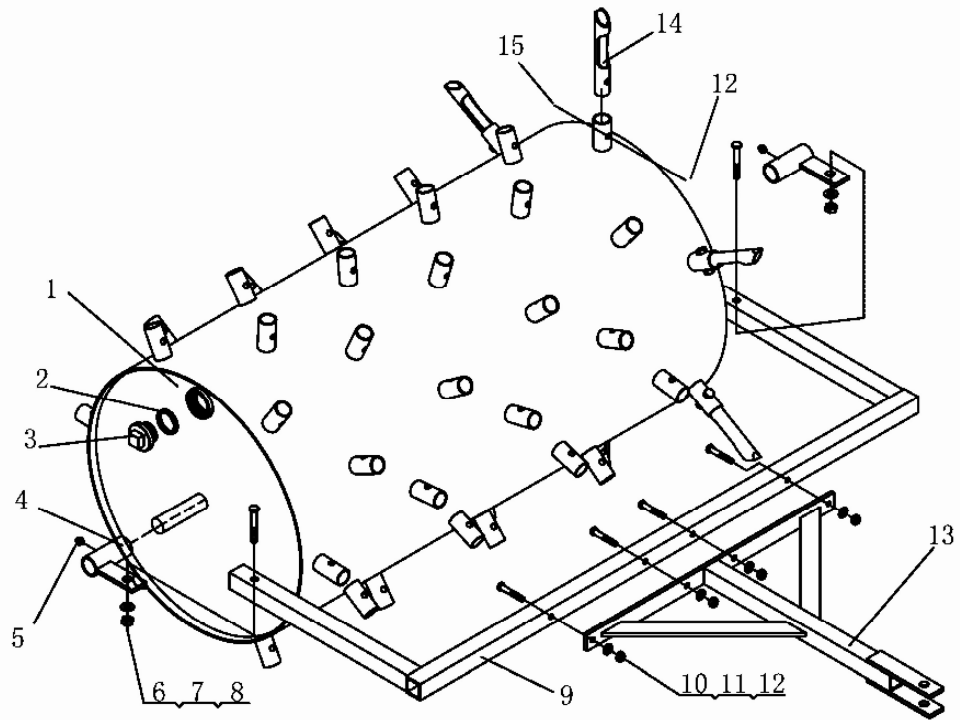
## Attach the hitch bracket



## MAINTENANCE

- **Maintain your drum plug aerator.** It is recommended that the general condition of any **drum plug aerator** be examined before it is used. Keep your **drum plug aerator** in good repair by adopting a program of conscientious repair and maintenance. If any abnormal vibrations or noise occurs, have the problem corrected before further use. Have necessary repairs made by qualified service personnel.
- Lubricate bushing as needed.
- Drain water completely from drum before winter storage.
- Check hardware for tightness before each use.

## DIAGRAM & PARTS LIST



ITEM#	DESC	QTY	ITEM#	DESC	QTY
1	Roller Support	1	9	"U" Towing Bracket	1
2	Seal-Rubber O-Ring	1	10	Bolt M8x55	4
3	Plug with Thread	1	11	Flat Washer $\phi$ 8	4
4	Joint Bushing Support	2	12	Lock Nut M8	58
5	Oil Cup M6	2	13	"T" Towing Bracket	1
6	Bolt M10x60	2	14	Plug	54
7	Flat Washer $\phi$ 10	2	15	Bolt M8X40	54
8	Lock Nut M10				

For replacement parts and technical questions, please call **1-218-943-6296**.



## **WARRANTY**

**One-year limited warranty**



PO BOX 203  
Miltona, MN 56354  
Made in China