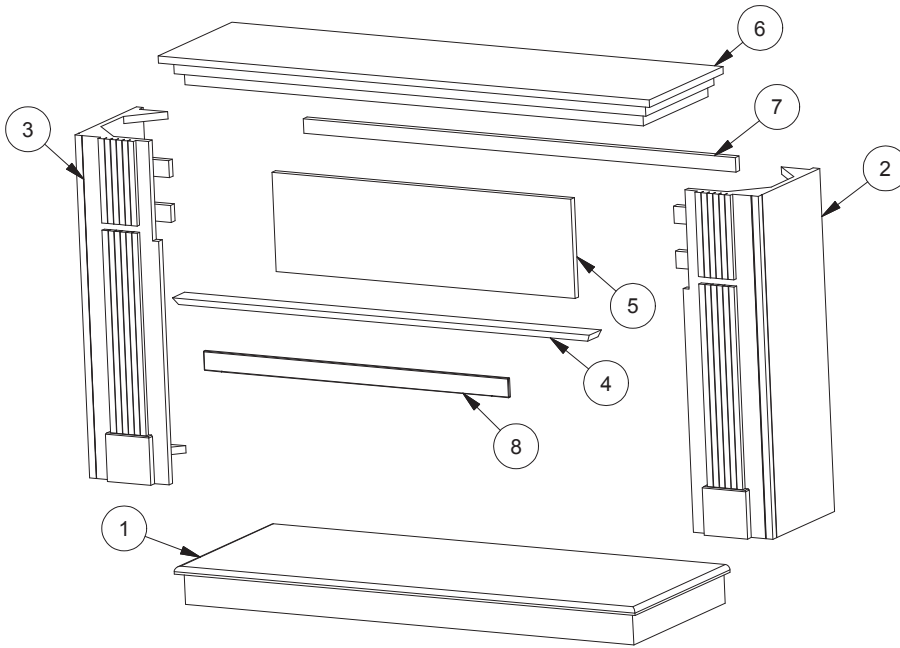
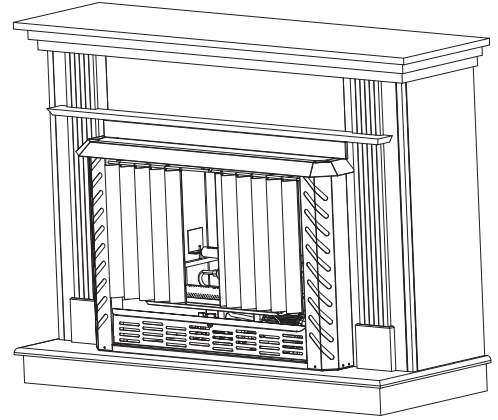


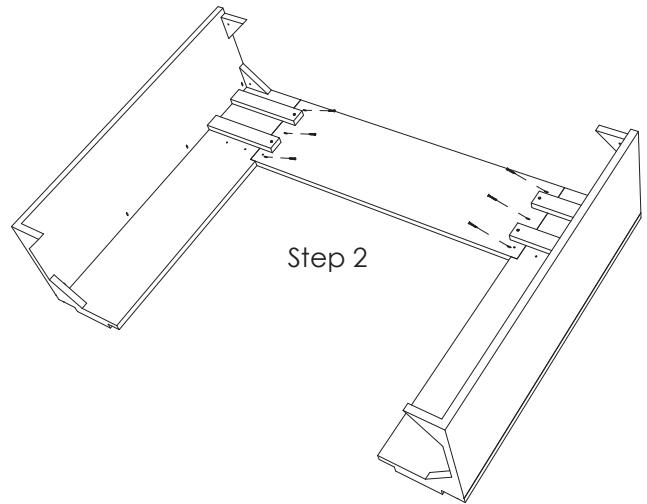
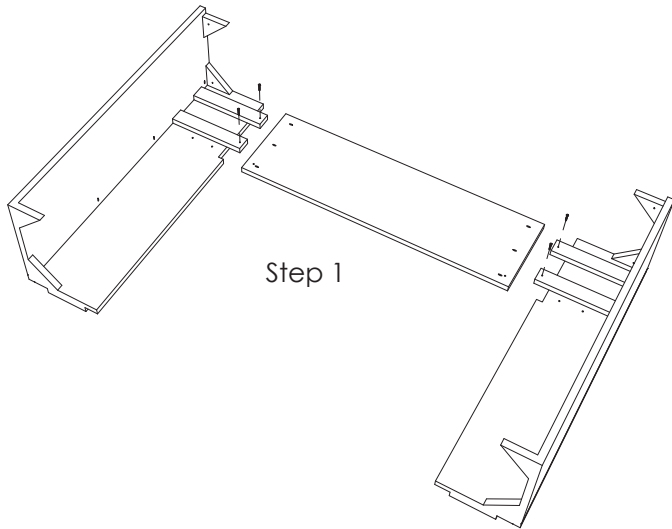
MANTLE KIT ASSEMBLY AND INSTALLATION

Caution! The appliance is very heavy.

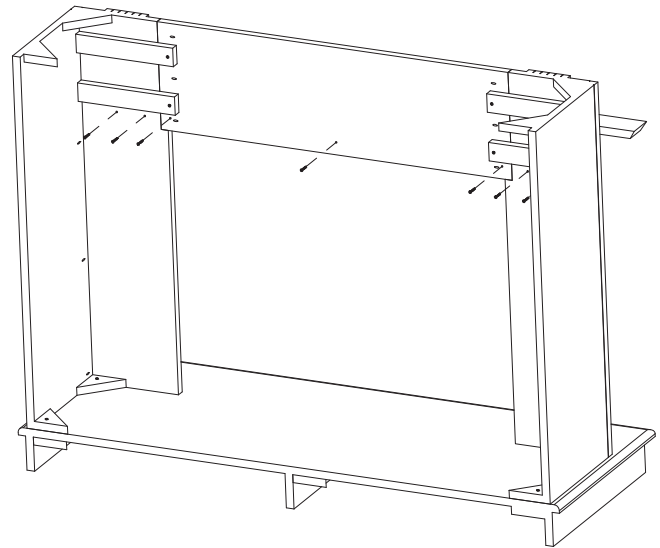
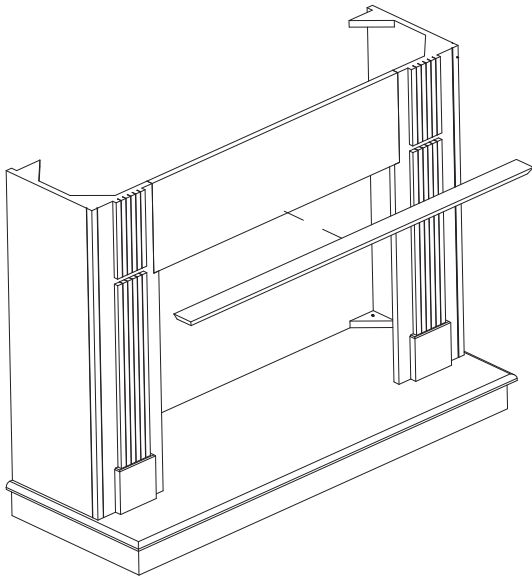
The assistance from a second person is strongly suggested. Please use proper lifting technique when positioning the appliance for assembly and installation.



Item	Part No.	Description	Qty.
1	892443.2	Base	1
2	892443.7	Right Side	1
3	892443.6	Left Side	1
4	892443.4	Front Trim	1
5	892443.5	Center	1
6	892443.8	Top	1
7	892443.1	Rear Support	1
8	27161	Mantle Facade	1
*	610125	Zero Clearance (parts Box)	1
*	610123	Parts Bag	1

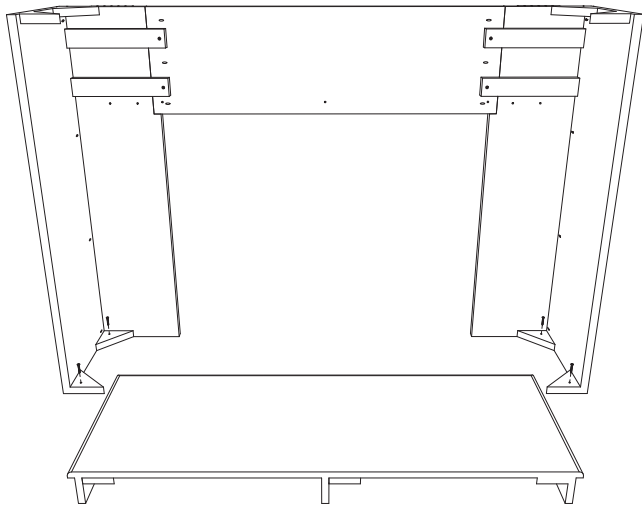


IN ORDER TO MAINTAIN WARRANTY, COMPONENTS MUST BE REPLACED USING ORIGINAL MANUFACTURERS PARTS PURCHASED THROUGH YOUR DEALER OR DIRECTLY FROM THE APPLIANCE MANUFACTURER. USE OF THIRD PARTY COMPONENTS WILL VOID THE WARRANTY.



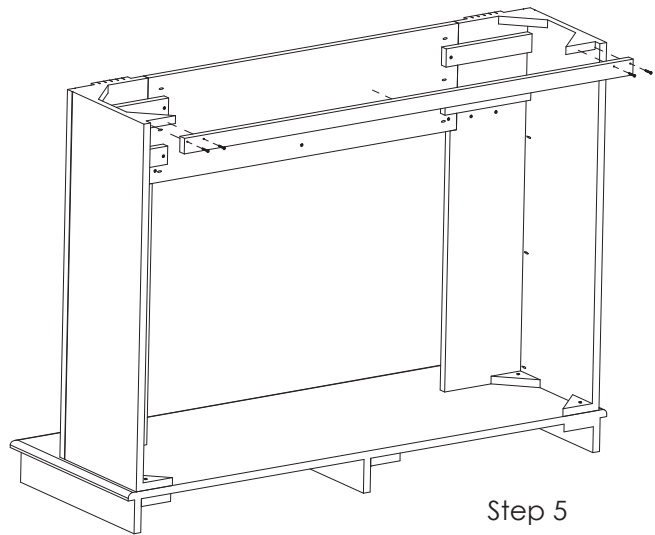
Step 3:

Before screwing in the front trim piece (4), measure the front trim piece (4) and the front face of the mantel to find center.

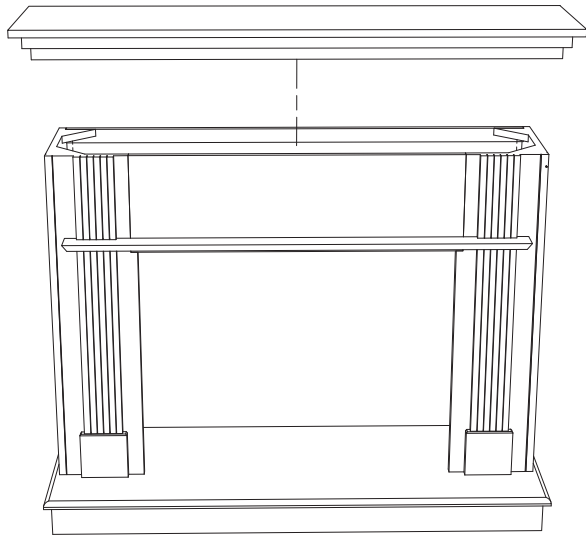


Step 4:

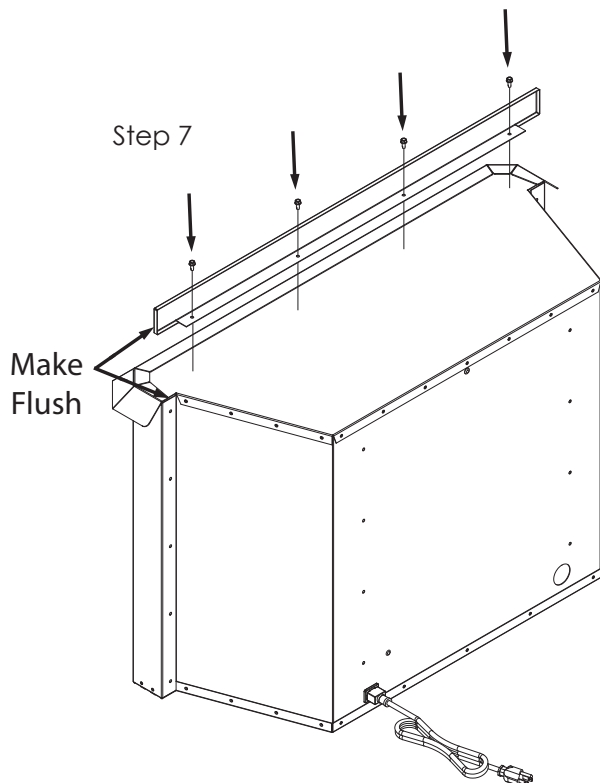
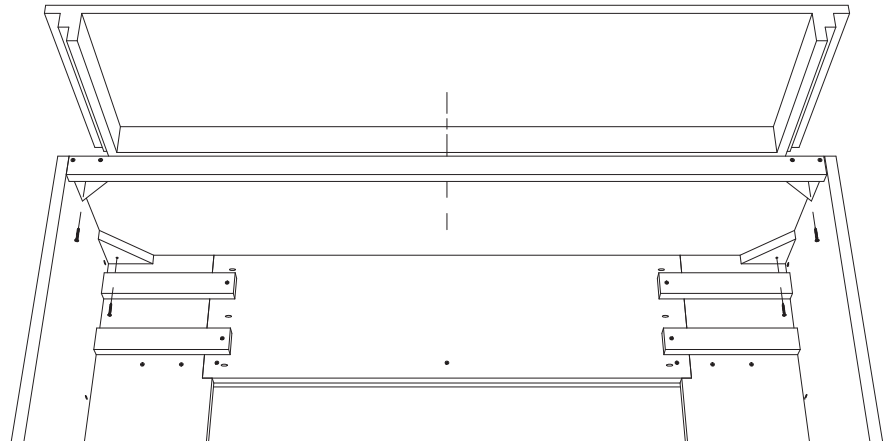
Center and place the mantel onto the base.



Step 5

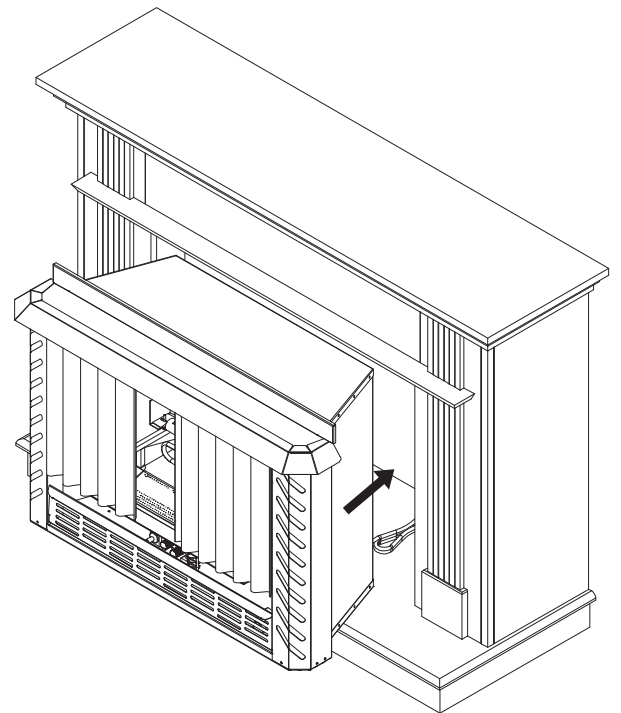


Step 6



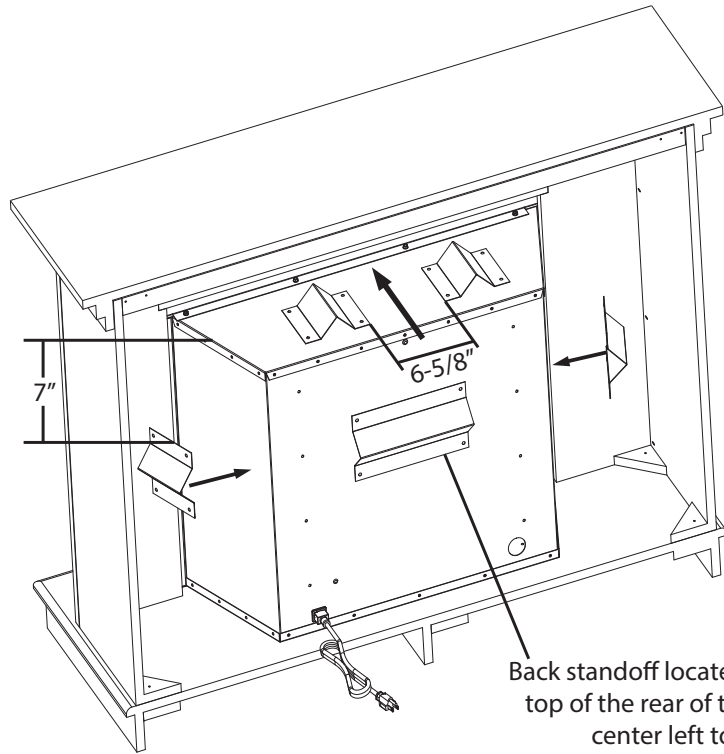
Step 7

Make
Flush

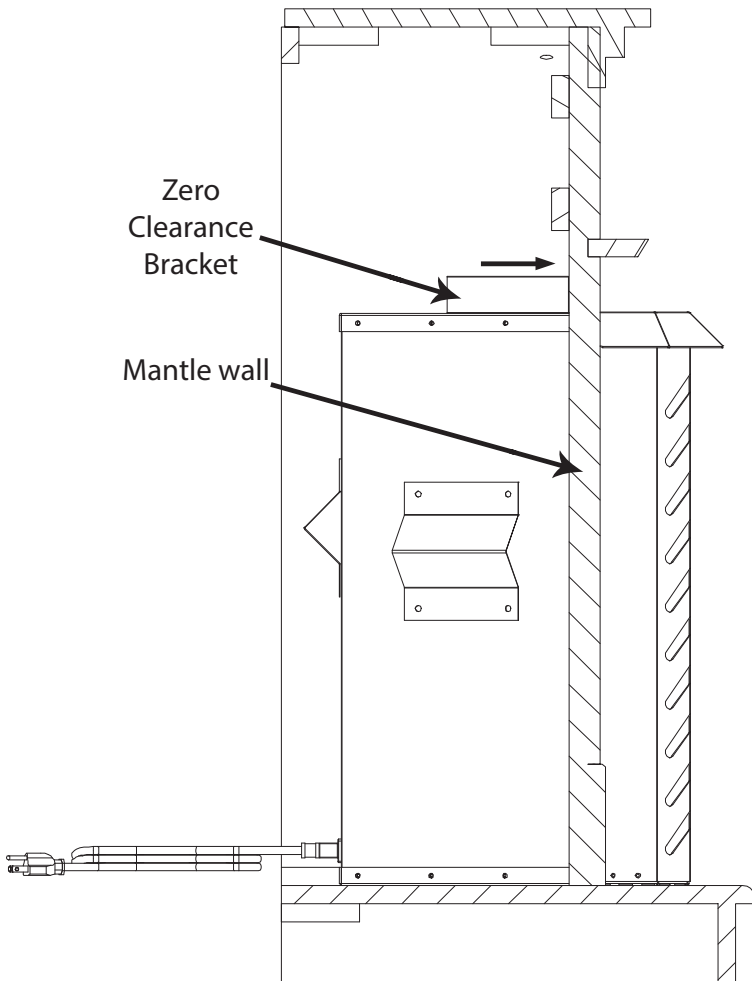


Step 8:
Slide unit back until it is flush against the mantel.

Step 9



Back standoff located 7" from the top of the rear of the unit, and center left to right



Step 10:
After the unit has been connected by a qualified service person, slide the unit and mantle into final position.