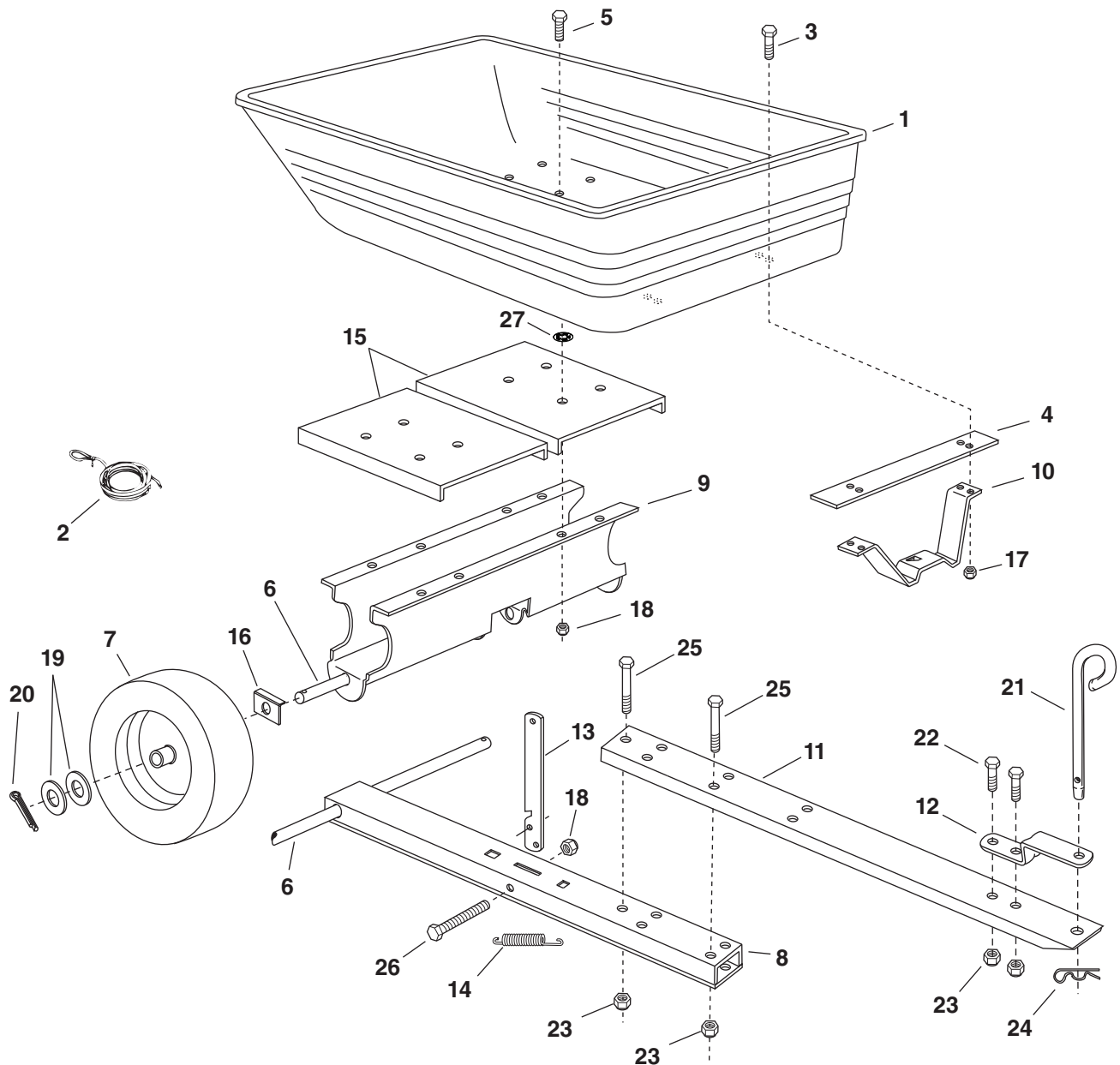
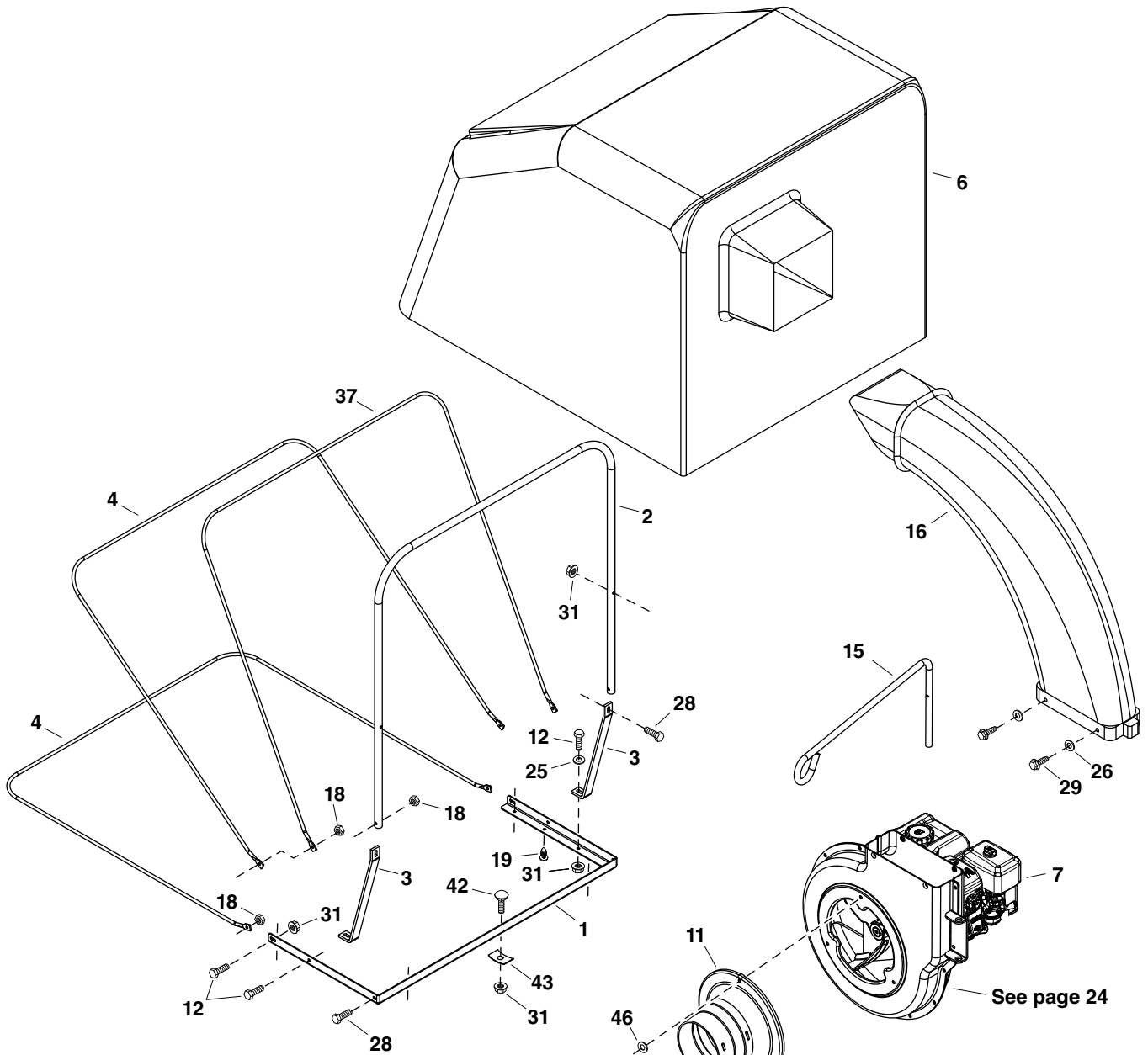


REPAIR PARTS LIST FOR 45-0541

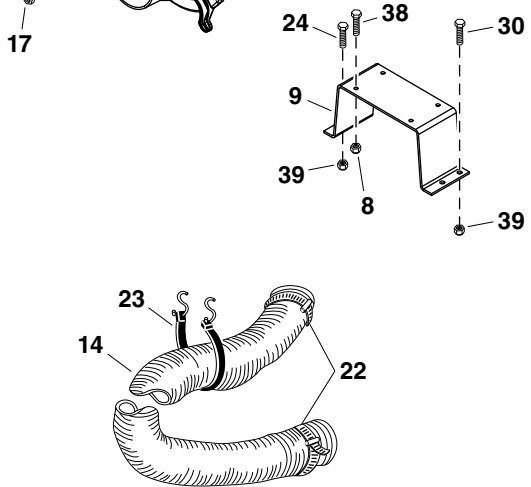
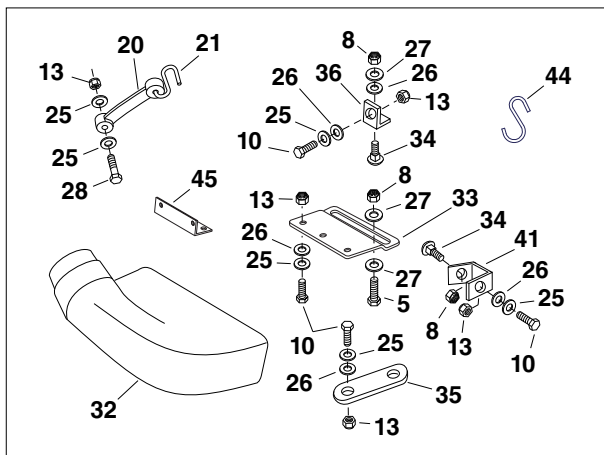


| REF. NO. | PART NO. | QTY. | DESCRIPTION | REF. NO. | PART NO. | QTY. | DESCRIPTION |
|----------|----------|------|--------------------------|----------|-----------|------|------------------------|
| 1 | 48791 | 1 | Cart Tray | 15 | 25875 | 2 | Cart Bed Brace |
| 2 | 65518 | 1 | Rope, 36" | 16 | 25910 | 2 | Axle Clip |
| 3 | 43012 | 4 | Hex Bolt, 1/4-20 x 3/4" | 17 | 47189 | 4 | Nylock Nut, 1/4-20 |
| 4 | 24386 | 1 | Latch Stand Plate | 18 | 47810 | 9 | Nylock Nut, 5/16-18 |
| 5 | 43182 | 8 | Hex Bolt, 5/16-18 x 3/4" | 19 | R19212016 | 4 | Washer, 5/8" |
| 6 | 26008 | 1 | Axle | 20 | 43010 | 2 | Cotter Pin |
| 7 | 40880 | 2 | Wheel | 21 | 23353 | 1 | Hitch Pin |
| 8 | 25748 | 1 | Rear Tongue | 22 | 43001 | 2 | Hex Bolt, 3/8-16 x 1" |
| 9 | 24527 | 1 | Wheel Support | 23 | HA21362 | 5 | Nylock Nut, 3/8-16 |
| 10 | 24497 | 1 | Latch Stand Bracket | 24 | 43343 | 1 | Hair Cotter Pin, 3/32" |
| 11 | 25742 | 1 | Front Tongue | 25 | 43574 | 3 | Hex Bolt, 3/8-16 x 3" |
| 12 | 23475 | 1 | Hitch Bracket | 26 | 47407 | 1 | Hex Bolt, 5/16-18 x 4" |
| 13 | 25010 | 1 | Latch Lock Lever | 27 | M84309 | 8 | Nut, Retainer |
| 14 | HA20186 | 1 | Spring | | | | |

REPAIR PARTS FOR MODEL 45-0541



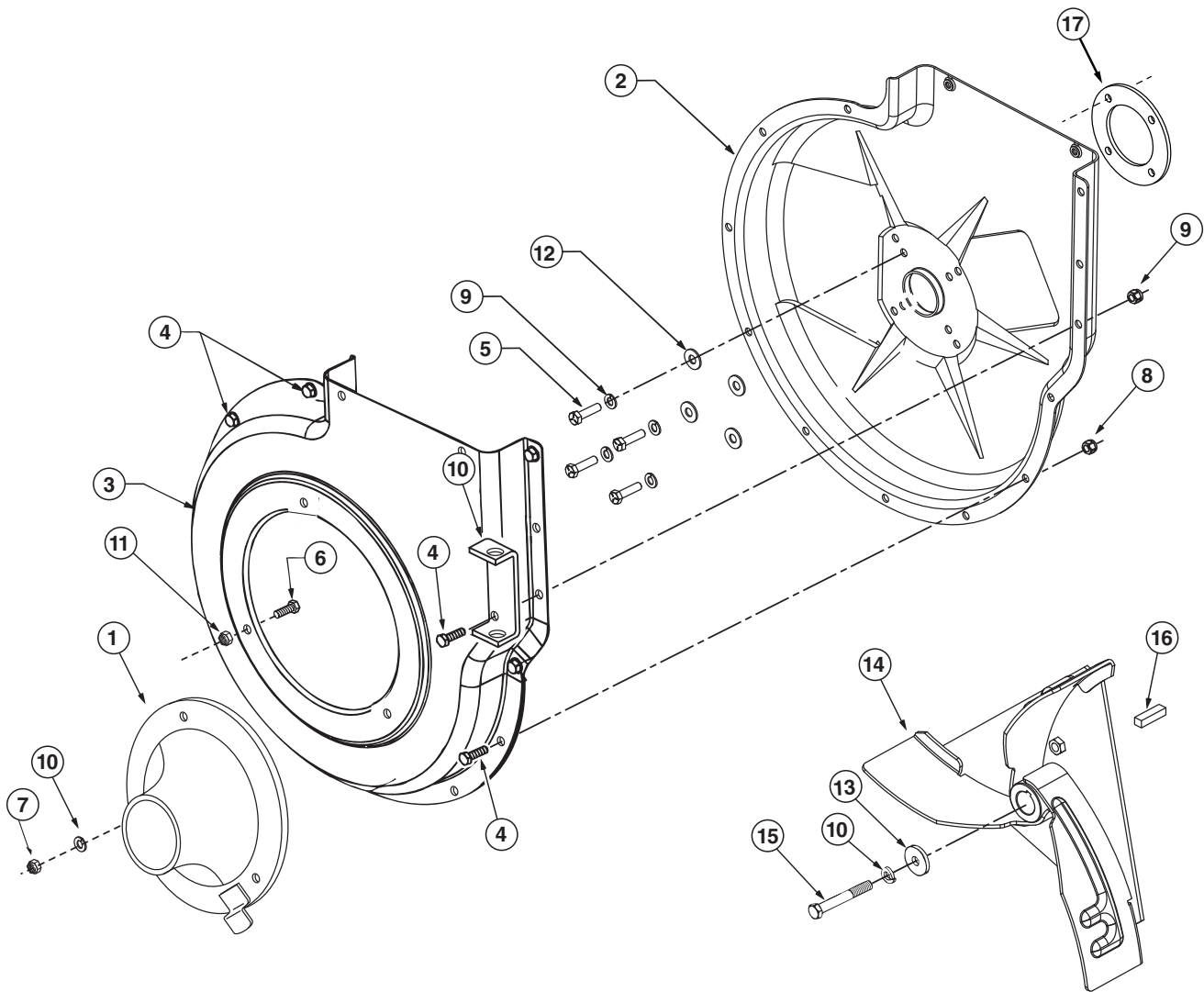
ADAPTER #62468



REPAIR PARTS FOR MODEL 45-0541

| REF. NO. | PART NO. | QTY. | DESCRIPTION | REF. NO. | PART NO. | QTY. | DESCRIPTION |
|----------|----------|------|----------------------------|----------|----------|------|--|
| 1 | 27144 | 1 | Top Support Angle | 25 | 43088 | 11 | Washer, 1/4" Std. |
| 2 | 25874 | 1 | Front Support Tube | 26 | 1543-69 | 9 | Nylon Washer |
| 3 | 25876 | 2 | Brace | 27 | 43081 | 12 | Washer, 5/16" Std. |
| 4 | 49873 | 2 | Lower Support Rod | 28 | 1509-90 | 7 | Hex Bolt, 1/4-20 x 1-1/4" |
| 5 | 43840 | 2 | Hex Bolt, 5/16-18 x 1-1/4" | 29 | 47630 | 4 | Hex Bolt, 5/16-18 x 3/4" (Thread Forming) |
| 6 | 42479 | 1 | Cart Cover | | | | |
| 7 | - | 1 | Engine | 30 | 43001 | 2 | Hex Bolt, 3/8-16 x 1" |
| 8 | 47810 | 7 | Nylock Nut, 5/16-18 | 31 | 47598 | 11 | Nut, Hex Flange 1/4-20 |
| 9 | 25873 | 1 | Engine Mounting Base | 32 | 43830 | 1 | Deck Adapter |
| 10 | 43661 | 4 | Hex Bolt, 1/4-20 x 1" | 33 | 23560 | 1 | Deck Adapter Bracket |
| 11 | 43791 | 1 | Hose Adapter | 34 | 43080 | 2 | Carriage Bolt, 5/16" x 3/4" |
| 12 | 43012 | 6 | Hex Bolt, 1/4-20 x 3/4" | 35 | 23825 | 1 | Mounting Strap |
| 13 | 47189 | 5 | Nylock Nut, 1/4-20 | 36 | 23826 | 1 | Angle Bracket |
| 14 | 41882 | 1 | Hose | 37 | 49872 | 1 | Front Support Rod |
| 15 | 49974 | 1 | Hose Hanger Rod | 38 | 43085 | 4 | Hex Bolt, 5/16-18 x 1-1/2" |
| 16 | 46420 | 1 | Elbow with Deflector | 39 | HA21362 | 4 | Nylock Nut, 3/8-16 |
| 17 | 49983 | 3 | Nut, Hex 5/16 Lock | 40 | 62468 | 1 | Deck Adapter Kit |
| 18 | 43013 | 6 | Lock Nut, 1/4-20 | 41 | 23827 | 1 | Mounting Bracket |
| 19 | 48402 | 2 | Plug, Plastic | 42 | 44950 | 5 | Carriage Bolt, 1/4-20 x 3/4" |
| 20 | 44850 | 2 | Tarp Strap | 43 | 41518 | 5 | Tinnerman Nut, 1/4-20 |
| 21 | 44849 | 2 | "S" Hook | 44 | 42749 | 1 | "S" Hook, Large |
| 22 | 43793 | 2 | Hose Clamp | 45 | 27304 | 1 | Bracket, Attachment |
| 23 | 43790 | 1 | Tarp Strap, 25" | 46 | 43086 | 3 | Lock Washer, 5/16" |
| 24 | 43574 | 2 | Hex Bolt, 3/8-16 x 3" | | 45446 | 1 | Owner's Manual |

REPAIR PARTS LIST FOR 45-0541



| REF. NO. | PART NO. | QTY. | DESCRIPTION | REF. NO. | PART NO. | QTY. | DESCRIPTION |
|----------|----------|------|--------------------------|----------|----------|------|----------------------------|
| 1 | 43791 | 1 | Hose Adapter | 10 | 24958 | 1 | Hose Hanger Bracket |
| 2 | 27884 | 1 | Housing Assembly, Inner | 11 | 46584 | 3 | Hex Nut, Whizlock 5/16-18 |
| 3 | 24633 | 1 | Housing Assembly, Outer | 12 | 43081 | 4 | Washer, 5/16" Std. |
| 4 | 43182 | 12 | Hex Bolt, 5/16-18 x 3/4" | 13 | 26538 | 1 | Spacer, Step |
| 5 | 47600 | 4 | Hex Bolt, 5/16-24 x 1" | 14 | 68669 | 1 | Impeller Assembly |
| 6 | 43063 | 3 | Hex Bolt, 5/16-18 x 1" | 15 | 45417 | 1 | Hex Bolt, 5/16-24 x 1-3/4" |
| 7 | 49983 | 3 | Nut, Hex 5/16" Lock | 16 | HA11154 | 1 | Key, 3/16" Sq. x 1.75" |
| 8 | 47810 | 12 | Nylock Nut, 5/16-18 | 17 | 28046 | 1 | Spacer, Inner Housing |
| 9 | 43086 | 9 | Lock Washer, 5/16" | | | | |