

# HANOVER®

## Hanover Outdoor Furniture



### IMPORTANT

If you have any problems with this product (missing or damaged parts, assembly issues, etc.),

**PLEASE DO NOT RETURN TO THE RETAILER/STORE**

from where you purchased the product.

Please call our Toll-Free Customer Service Hotline at: **1-800-416-3511**

Between 9:00 AM and 5:00 PM Eastern Time, Monday through Friday

Or visit our website at: **[www.hanover-products.com](http://www.hanover-products.com)**

To expedite any future warranty claims, please retain the Instruction Sheet, Warranty Card and receipt for future use.

For additional on-line support on assembly, troubleshooting and care & maintenance of your outdoor furniture, please visit our website at: **[www.hanover-products.com](http://www.hanover-products.com)**.

# ASSEMBLY INSTRUCTIONS



CSA Model 98900



DRS03500

Installer: Leave these instructions with consumer.

Consumer: Keep these instructions for future reference.



## DANGER

If you smell gas:

1. Shut off gas to the appliance.
2. Extinguish any open flame.
3. If odor continues, keep away from the appliance and immediately call your gas supplier or fire department.



## WARNING:

Improper installation, adjustment alteration, service or maintenance can cause injury or property damage. Read the installation, operating and maintenance instructions thoroughly before installing or servicing this equipment.



## WARNING

Do not store or use gasoline or other flammable vapors and liquids in the vicinity of this or any other appliance. An LP-cylinder not connected for use shall not be stored in the vicinity of this or any other appliance.



## WARNING: For Outdoor Use Only

FOR USE WITH 20LB (9KG) PROPANE CYLINDER WITH TYPE 1 CONNECTION OR FOR USE WITH NATURAL GAS AFTER CONVERSION KIT IS INSTALLED (MUST BE PROFESSIONALLY INSTALLED) ALSO THE LP REGULATOR MUST BE SUPPLIED BY THE MANUFACTURER.



## DANGER

## CARBON MONOXIDE HAZARD



This appliance can produce carbon monoxide which has no odor.

Using it in an enclosed space can kill you.

Never use this appliance in an enclosed space such as a camper, tent, car or home.

## WARNING:

USE FACTORY APPROVED REPLACEMENT PARTS AND ACCESSORIES ONLY. USE OF UNAPPROVED PART OR ACCESSORIES CAN VOID THE WARRANTY ON THIS PRODUCT AND RESULT IN AHAZARDOUS CONDITION. PLEASE CONTACT US FOR INFORMATION REGARDING REPLACEMENT HOSES, THERMOCOUPLES, ELECTRODES, IGNITION MODULES, LAVAROCKS, LOGS, FIRE ICE, ETC.



Questions, Problems, Missing Parts? Before returning to your retailer, call our customer service department in the US and Canada at 1-800-416-3511, Monday-Friday, 9 a.m. – 5 p.m. Eastern Time.

## IMPORTANT SAFETY INFORMATION

The installation must conform with local codes or, in the absence of local codes, with the National Fuel Gas Code, ANSI Z223.1/NFPA 54; International Fuel Gas Code; Natural Gas and Propane Installation Code, CSA B149.1; or Propane Storage and Handling Code, B149.2, as applicable.

The appliance and its appliance main gas valve must be disconnected from the gas supply piping system during any pressure testing of that system at test pressures in excess of 1/2 psi (3.5kPa).

The appliance must be isolated from the gas supply piping system by closing its equipment shutoff valve during any pressure testing of the gas supply system at test pressure equal to or less than 1/2 psi (3.5kPa).

The appliance area must be kept clear and free from combustible materials, gasoline and other flammable vapors and liquids.

Do not use this appliance if any part has been under water. Immediately call a qualified service technician to inspect the appliance and to replace any part of the control system and any gas control which has been under water.

**Children and adults should be alerted to the hazards of high surface temperatures and kept at a safe distance to avoid burns or clothing ignition.**

**Young children should be carefully supervised when they are anywhere near the appliance.**

**Clothing or other flammable material should not be hung from the appliance, or placed on or near the appliance.**

**Any screen or guard removed for servicing an appliance must be replaced prior to operating the appliance.**

**Installation and repair should be done by a qualified service person. The appliance should be inspected before use and at least annually by a professional service person. More frequent cleaning may be required as necessary. It is imperative that the control compartments, burners and circulating air passageways of the appliance be kept clean.**

Do NOT burn solid fuels in this gas fireplace.

**CAUTION:** The propane gas pressure regulator provided with this appliance must be used. This regulator is set for an outlet pressure of 11 inches water column.

This outdoor gas appliance is not intended to be installed in or on recreational vehicles and/or boats.

Before each use of this gas appliance, open the LP (Liquid Propane) Tank Drawer and inspect the LP Hose. If there is evidence of excessive abrasion or wear, or the hose is cut, it must be replaced prior to the gas appliance being put into operation. Use only the replacement hose assembly specified in this manual. Inspect the burner before each use of the appliance. The burner must be replaced prior to the appliance being put into operation if it is evident that the burner is damaged. Use only the burner listed in these instructions. Keep the fuel supply hose away from any heated surfaces.

## IMPORTANT SAFETY INFORMATION ABOUT PROPANE (LP) GAS

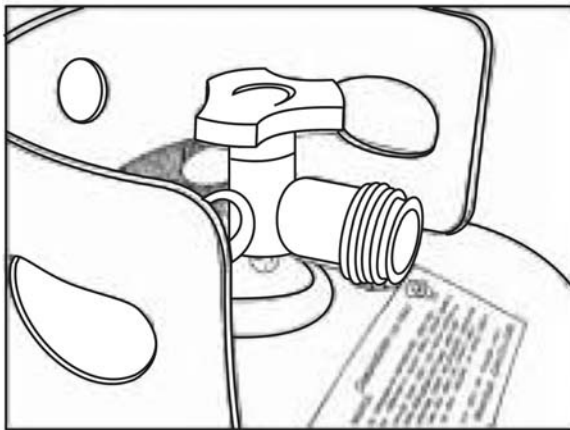
A self contained LP-gas cylinder for use with this appliance must have a capacity of 20 lbs/9 kgs. and must be equipped with a Type 1 connector and an OPD (overfill protection device). See Figure 1.

The LP-gas supply cylinder to be used must be constructed and marked in accordance with the specification for LP-gas cylinders of the U.S. Department of Transportation (DOT) or the National Standard of Canada, *CAN/CSA-B339, Cylinder, Sphere and Tubes for the Transportation of Dangerous Goods*.

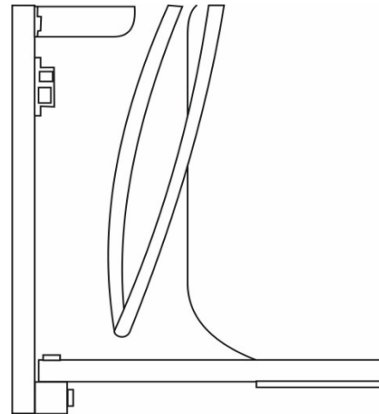
- The cylinder supply system must be arranged for vapor withdrawal.
- The cylinder used must include a collar to protect the cylinder valve.
- This appliance shall be used only outdoors in a well-ventilated space and shall not be used in a building, garage or any other enclosed space.
- When this appliance is not in use, the gas must be turned off at the supply cylinder.
- Storage of this appliance indoors is permissible only if the cylinder is disconnected and removed from the appliance.
- Cylinders must be stored outdoors in a well-ventilated area out of the reach of children. Disconnected cylinders must have threaded valve plugs tightly installed and must not be stored in a building, garage or any other enclosed areas.

CSA (Canadian Standards Association) certified to ANSI Z21.97•CSA 2.41-2012 “ Outdoor Decorative Gas Appliances”

The gas hose is routed through a “U” bolt to prevent the hose from coming in contact with the burner. DO NOT remove the hose from the “U” bolt. See Figure 2.



**Figure 1**














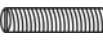




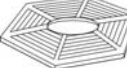



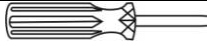



**Figure 2**

### SPECIFICATIONS

|                                    |                               |                         |
|------------------------------------|-------------------------------|-------------------------|
| INPUT                              | 40,000 Btu/hr                 | 30,000 Btu/hr Low fire  |
| Propane Regulator Pressure         | 11 in / 2.74 kPa water column |                         |
| Natural Gas Minimum Inlet Pressure | 7 in / 1.74 kPa water column  |                         |
| Clearances to combustible surfaces | Sides: 24in./60.96cm          | Top: 72 in. / 182.88 cm |

## PARTS IDENTIFICATION LIST

|   | PART  | DESCRIPTION                                      | PART#            | QTY |
|---|---|--|------------------|-----|
| A |                              | LAZY SUSAN/BURNER COVER                          | FP0777 1         |     |
| B |                              | GAS VALVE  | FP0307 1         |     |
| C |                              | THERMOCOUPLE                                     | FP0004 1         |     |
| D |                              | LP REGULATOR HOSE                                | FP0308 1         |     |
| E |                              | ELECTRODE  | FP0003 1         |     |
| F |                              | ORIFICE ELBOW                                    | FP0310 1         |     |
| G |                              | IGNITION MODULE                                  | FP0006 1         |     |
| H |                              | ORIFICE BRACKET                                  | FP0311 1         |     |
| I |                              | PROPANE ORIFICE                                  | FP0312 1         |     |
| J |                              | NATURAL GAS ORIFICE                              | FP0313 1         |     |
| K |                            | "AAA" BATTERY(1.5V)                              | 1                |     |
| L |                            | FIRE ICE SET                                     | FP1078 1         |     |
| M |                            | ADJUSTABLE FOOT CAPS                             | FC0182 4         |     |
| N |  | 1/4" X 40 MM BOLT                                | HW0527 3         |     |
| O |  | 1/4" X 25 MM BOLT                                | HW0037 4         |     |
| P |  | 1/4" X 30 MM BOLT                                | HW0622 6         |     |
| Q |                            | WASHER   | HW0605 13        |     |
| R |                            | ALLEN WRENCH                                     | HW0607 1         |     |
| S |                            | FIREPIT TABLETOP                                 | FP0293 1         |     |
| T |                            | FIREPIT UPPER FRAME                              | FP0599 1         |     |
| U |                            | FIREPIT BOTTOM FRAME B<br>FIREPIT BOTTOM FRAME A | FP0600<br>FP0601 | 1   |
| V |                            | LP TANK RETAINING KNOB                           | FP0585 2         |     |
| W |                            | PHILLIPS SCREWDRIVER                             | HW0643 1         |     |
| X |                | 1/4" WINGNUT                                     | HW0528 3         |     |

# INSTALLATION

1. Identify parts packed in carton against the parts list. Remove all protective materials and set parts on a flat, non-abrasive surface. There must be a minimum of 24 inches of clearance from the side of the tabletop to any combustible walls

2. Place the tabletop upside-down on a flat, non-abrasive surface. Insert four 1/4"x40 mm headless bolts (N) into the pre-drilled hole on the underside of the tabletop as shown in Fig. 3. Do not over tighten.

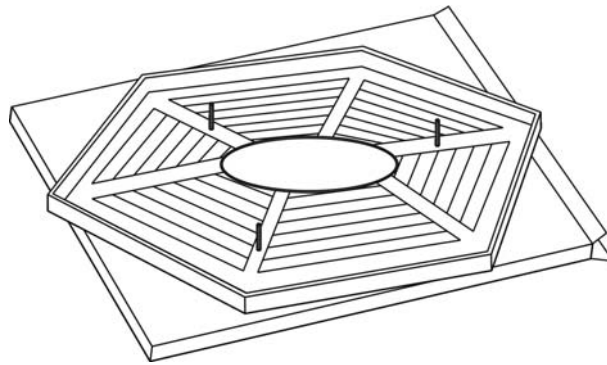


Figure 3

3. Attach the bottom frame (V) to the bottom frame (U) by using four 1/4"x25 mm bolts (O) and washers (Q) as shown in Fig 4. Guide bolts through holes in bottom frame, into pre-drilled holes in the bottom frame. Hand-tighten only.

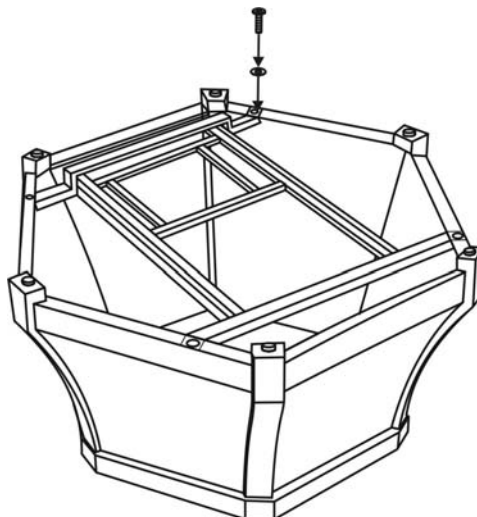


Figure 4

4. Attach the upper frame (T) to completed bottom frame by using six 1/4"x30 mm bolts (P) and washers (Q) as shown in Figure.5. Guide bolts through holes in upper frame, into pre-drilled hole in the bottom frame. Hand-tighten only.

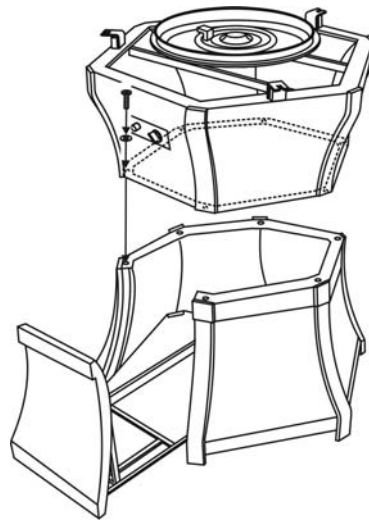


Figure 5

5. With the help of another person, turn the table base assembly in the upright position. Also with the help of another person, carefully place the tabletop onto the table base. After making any necessary adjustments to the alignment of the tabletop and the table base, use three 1/4" wingnuts (Y) and washers (Q) as shown in Figure.6. Do not tighten completely. (Note: holes do not go through to the top of the table. Holes shown for illustration purposes only.)

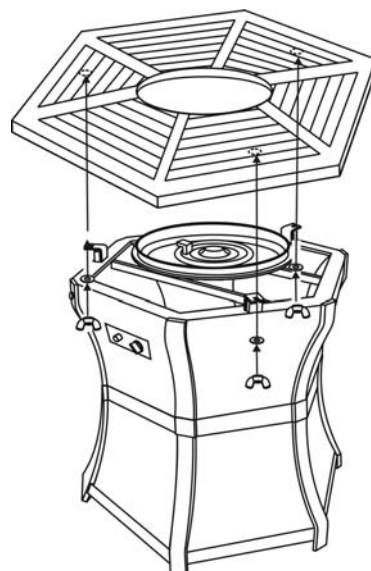
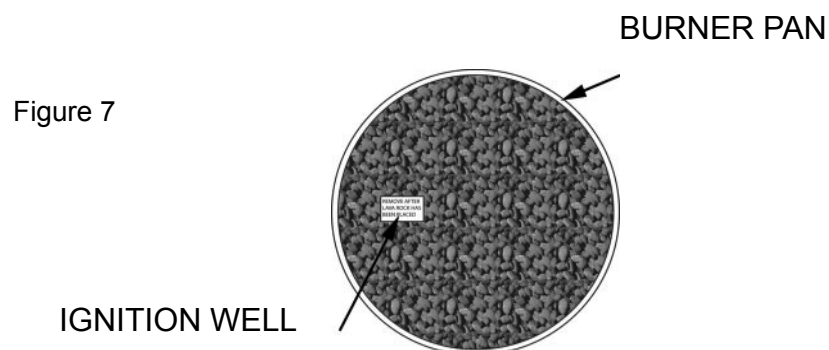


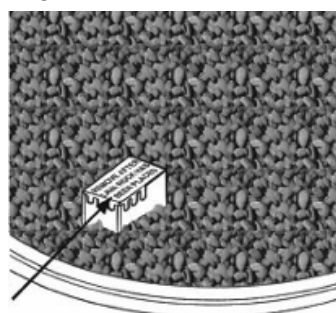
Figure 6

6. After making any necessary adjustments to the parts, use the allen wrench (R) to tighten all nuts and bolts. Note: each bolt and nut must be tightened a few revolutions at a time. Repeat until all bolts are tight. Do not over-tighten. Over-tightening may strip bolts.

7. Pour the fire ice into the burner pan completely covering the burner. See Figure 7.



8. Remove the cardboard cover from the ignition well as shown in Figure 8. Remove any lava rock or fire ice on top of ignition well.

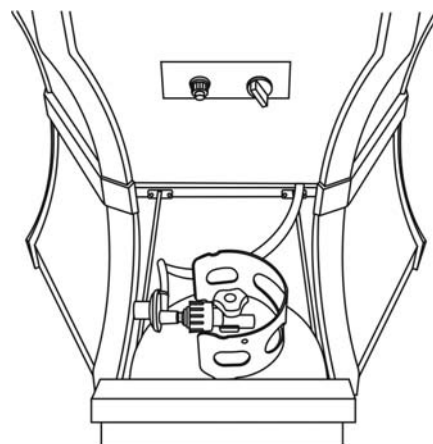
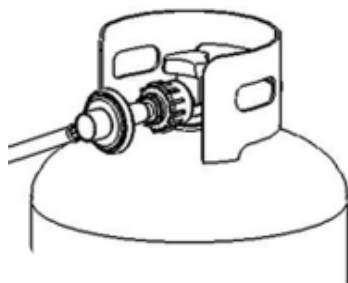


**CARDBOARD COVER**

Figure 8

9. Slide the tank drawer out and place the LP tank in the drawer. Connect the regulator as shown in Figure 9. Turn the black handle clock-wise to tighten. Turn the Handle counter clock-wise to remove. The hose must point down. Check that the valve is turned all the way clockwise to the "OFF" position. Open the tank valve. Apply a solution of soapy water to the tank-regulator connection and to the valve-hose connection to check for leaks. If soap bubbles continue to form, the connection has a leak. If a leak is found, close the tank valve and tighten all connections.

**NEVER USE A FLAME TO CHECK FOR LEAKS.**







# NATURAL GAS CONVERSION



Natural gas conversion must be performed only by your natural gas provider or service company.

1. Disconnect the regulator hose from the gas valve. See Figure 11.

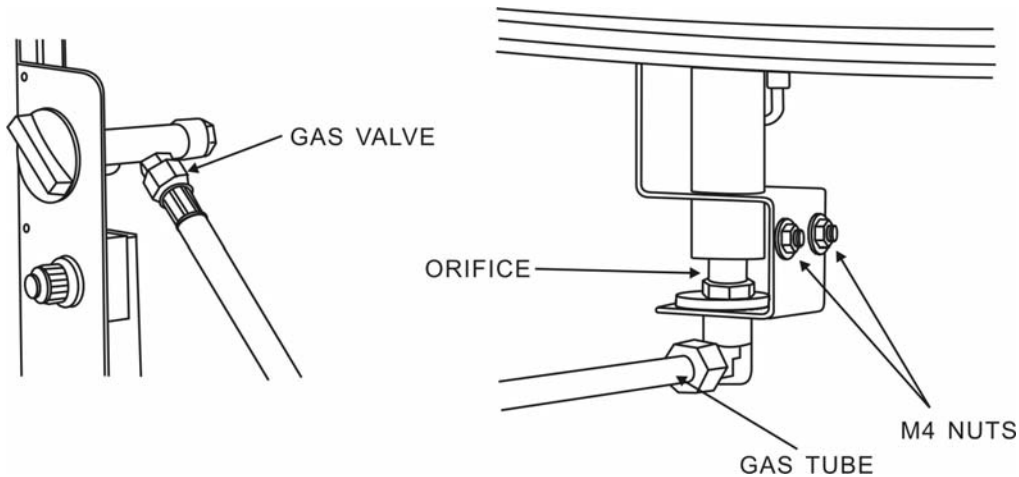


Figure 11

2. Disconnect the gas tube from the orifice elbow. Remove the two M4 nuts and remove the orifice older. Replace the propane orifice with the natural gas orifice from the kit and reinstall the orifice holder. Apply a solution of soapy water to all connections to check for leaks. If soap bubbles continue to form, the connection has a leak. If a leak is found, close the main valve and tighten all connections. **NEVER USE A FLAME TO CHECK FOR LEAKS.**

3. Stick the conversion label on the rating plate as shown in Figure 12.

## Metal Rating Plate

|  |                     |
|--|---------------------|
| Serial Number _____  | Model Number: 98900 |
| <b>CAUTION:</b> The gas pressure regulator provided with this appliance must be used. This regulator is set for an outlet pressure of  |                     |
| This appliance has been converted to use Natural Gas. Input 40,000 Btu/hr.<br>Max Gas Supply Pressure 7 inch w.c. (1.74 kPa) Min. Gas Supply Pressure 5 inch w.c. (1.24 kPa)   |                     |
| Minimum clearance from combustible constructions: Sides: 24 in. 609 mm. Top 72 in. 1828 mm.  |                     |
| <b>FOR OUTDOOR USE ONLY.</b> If stored indoors, detach and leave cylinder outdoors.  |                     |
| <b>⚠ WARNING:</b> Improper installation, adjustment alteration, service or maintenance can cause injury or property damage. Refer to the owner's information manual provided with this appliance. For assistance, or additional information, consult a qualified installer, service agency, or the gas supplier. |                     |

Figure 12

Conversion Label

# BATTERIES

Make sure the control knob is in the "OFF" position. Unscrew the push button cap on the ignition module located on the control panel to access the battery compartment. The ignition module requires one Alkaline AAA size battery (1.5V). The negative (-) end goes in first. See Figure 13. Dispose of battery safely. May explode or leak if charged or disposed of in fire. Make sure of the polarity. Mercury and cadmium free.

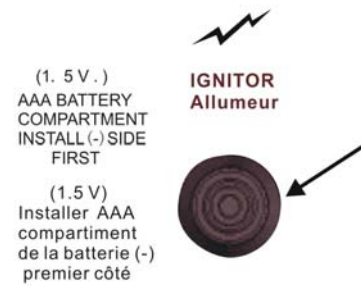
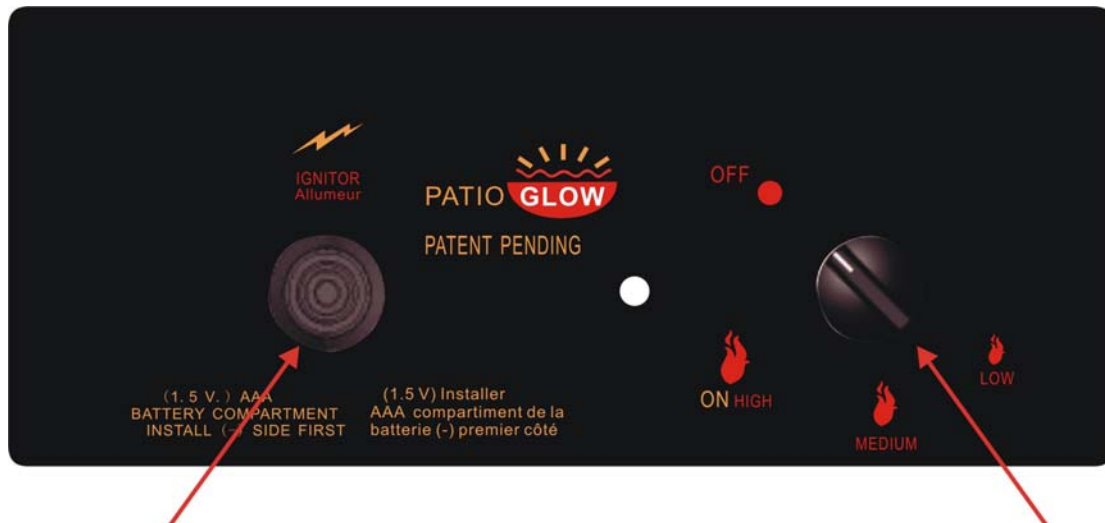


Figure 13

# LIGHTING INSTRUCTIONS

Warning: If these instructions are not followed exactly, a fire or explosion may result causing property damage, personal injury or loss of life.

1. Open the tank drawer and find the control panel on the left. Make sure the control knob is in the "OFF" position. See Figure 14. Open the tank valve all the way.



IGNITER BUTTON

Figure 14

CONTROL KNOB

2. Push in the igniter button. You will hear a slight clicking sound. With the igniter button pushed in, push and turn the control knob to the "ON" position. The fire should light within a few seconds. Once the flame is lit, release the igniter button and continue to hold the control knob in for 10 to 15 seconds. Release the control knob. The control knob should pop back out and then remain lit. Note: If the fire does not light, turn the knob to the "OFF" position and wait five (5) minutes before trying again.

3. To turn down the flame, push the control knob in slightly and turn to Medium (medium flame), or Low (small flame).

4. To shut down the fire pit, turn the control knob to the “OFF” position and turn off the tank valve.

## MAINTENANCE

The flames should look like those in Figure 15. To clean the burner, use a soft brush after the burner has cooled completely. Never use a vacuum cleaner on the burner. It is recommended that the fire pit be stored indoors during the winter if it will be subjected to freezing temperatures. The LP cylinder must be disconnected and removed from the appliance before the appliance can be stored indoors.



Figure 15

## TROUBLESHOOTING GUIDE

| PROBLEM                              | CAUSE  | REMEDY  |
|--------------------------------------|--|---|
| Burner won't light                   | No Propane Gas at Burner                                   | Check that gas tank valve is open. Turn control knob to “ON” and push control knob in. Make sure tank has propane gas.  |
|                                      | No Spark at Electrode                                      | Check that AAA battery is installed with negative (-) end first and has a charge. Check that the wire is connected to the ignition module. Check that the electrode is not cracked or broken. |
|                                      | Lack of oxygen   | Remove excess lava rocks or fire ices from around the ignition well.  |
| Burner won't stay lit after lighting | Thermocouple not in flame                                  | Check that the tip of the thermocouple is even with the top of the ignition well. Remove any lava rocks from the ignition well.   |
|                                      | Thermocouple connection at the main control valve is loose | Tighten the thermocouple nut at the back of the valve.  |
|                                      | No Lava Rocks on Burner                                    | Cover the burner with lava rocks per the instructions   |