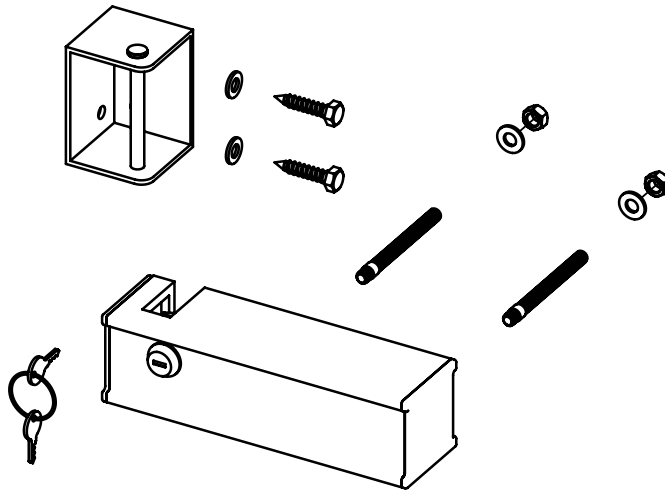


AXZL ZOMBIELOCK® AUTOMATIC GATE LOCK

WHAT IS INCLUDED IN AXZL KIT:



MOUNTING THE LOCK AND RECEIVER:

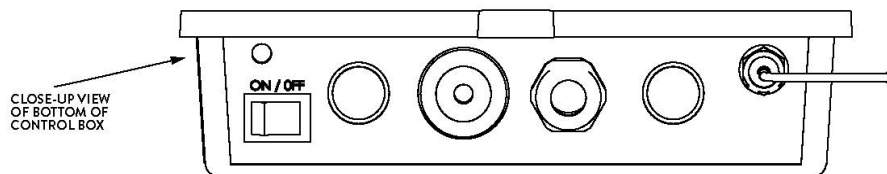
■ INSTALLATION INSTRUCTIONS

NOTE: If your gate is set up in the push-to-open mode, the lock will need to be installed on the outside of the gate.

STEP 1: MAKE SURE THE OPERATOR CONTROL BOX POWER SWITCH IS IN THE OFF POSITION

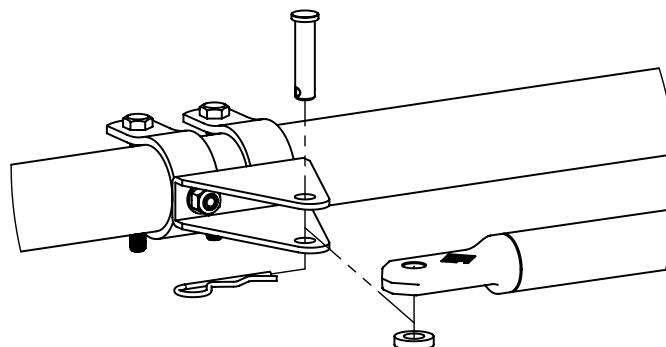
You must disconnect the operator only after the operator power switch is **OFF** and the gate is **NOT** moving.

NOTE: The gate operator is battery powered and unplugging the AC transformer does not turn the power to the operator off.



STEP 2: DISCONNECT FRONT END OF THE GATE OPERATOR ARM FROM GATE BRACKET

A. Remove the hairpin clip and clevis pin from the **FRONT** mount of the gate operator.



B. Swing the operator arm out of the way of the gate.

STEP 3: MAKE SURE GATE IS IN THE CLOSED POSITION

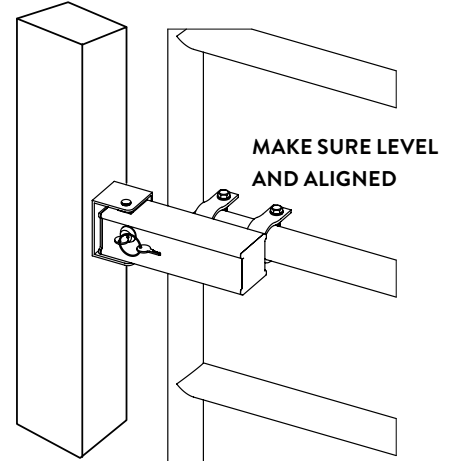
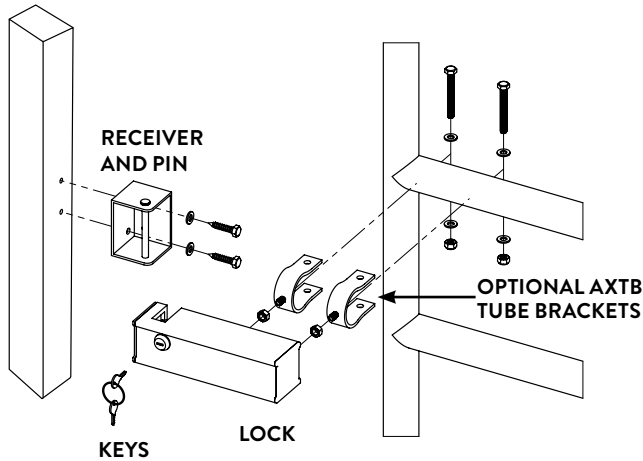
To support the gate in the closed position you should wire tie or clamp the gate. This will let you swing the gate manually while installing the gate lock.

Lock should be mounted on the gate cross member or other solid part of the gate surface and the receiver should be mounted on the adjacent post perfectly level with the lock. **See illustration below.**

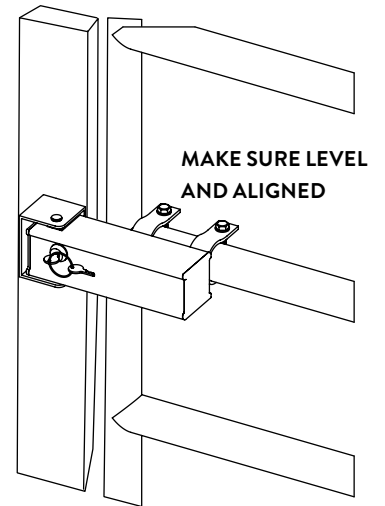
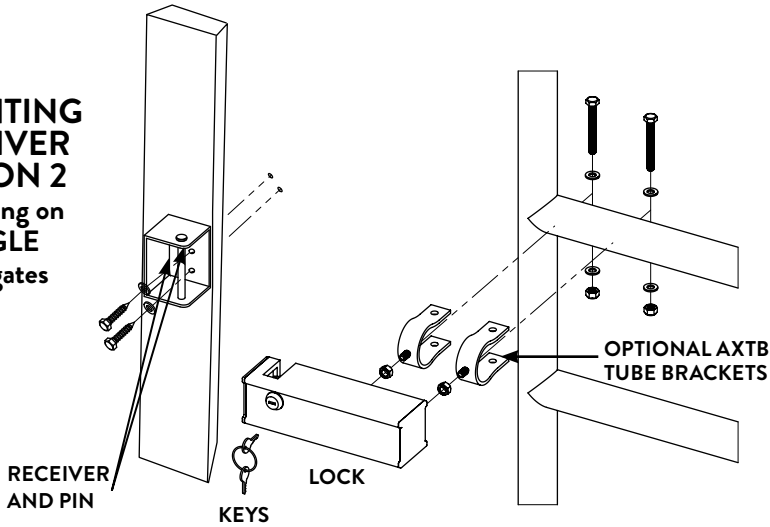
NOTE: SCREW NUTS ONTO THE TUBE BRACKETS BEFORE ATTACHING TO THE LOCK.

NOTE: For DUAL gates you will need to install the gate lock on the gate with the 1st operator installed on it (one closest to the control panel).

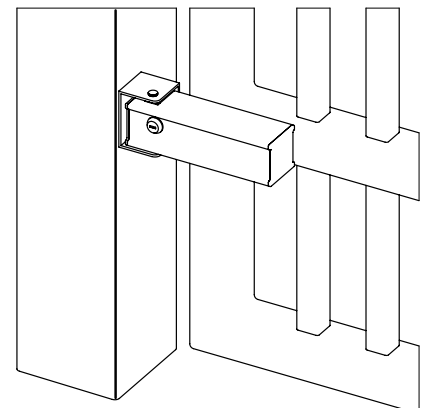
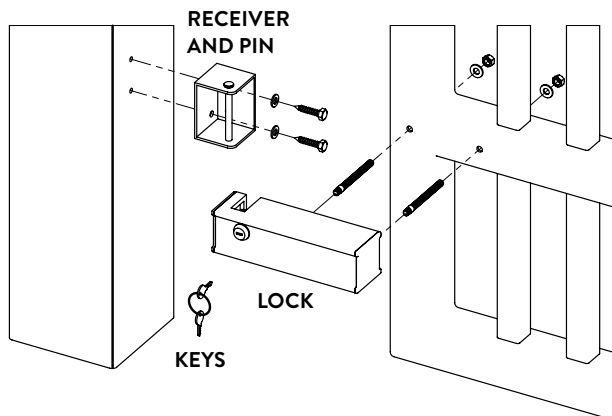
MOUNTING RECEIVER OPTION 1 Mounting on SINGLE tube gates



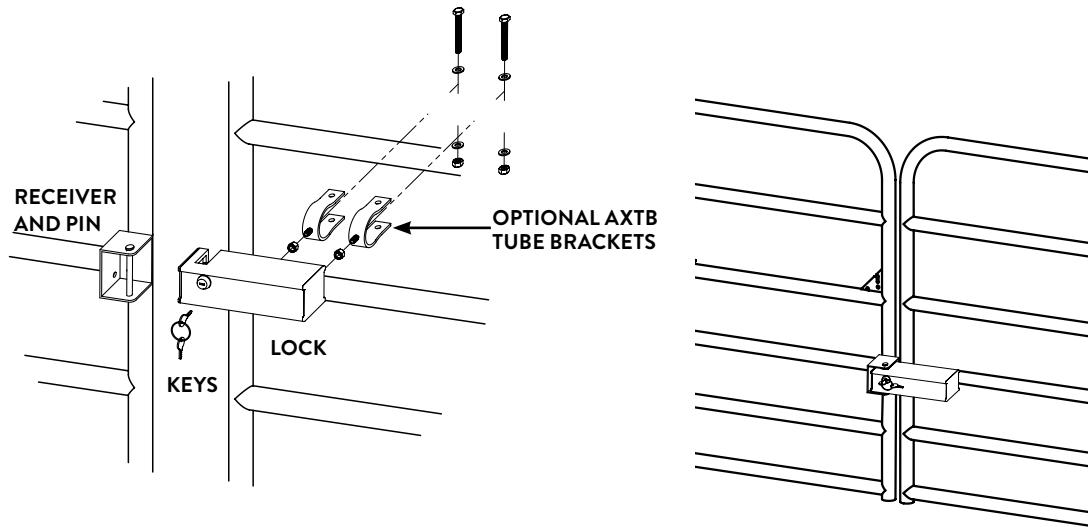
MOUNTING RECEIVER OPTION 2 Mounting on SINGLE tube gates



Mounting on SINGLE decorative gates

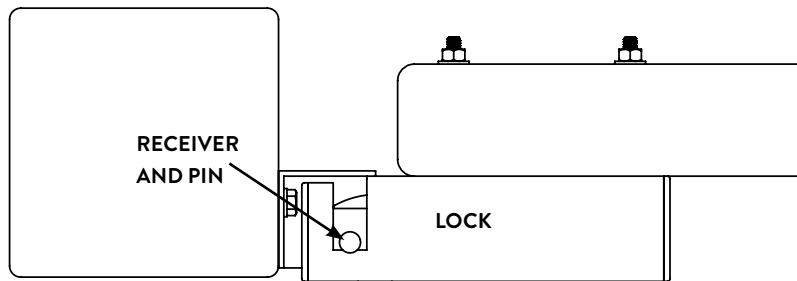


Mounting on DUAL tube gates



STEP 4: VERIFY THE RECEIVER PIN LINES UP WITH SLOT IN THE LOCK

The gate lock needs to be level with the receiver.



View looking down showing receiver pin
lines up with gate lock

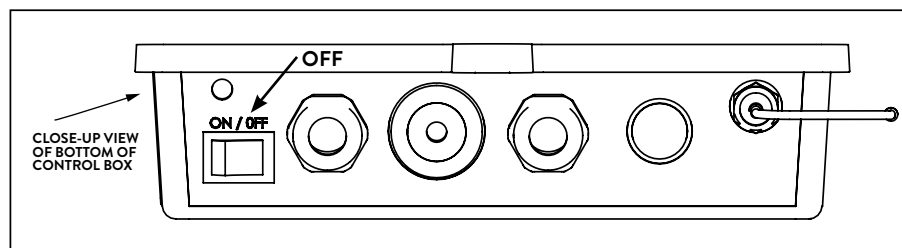
STEP 5: DRILL HOLES ON THE POST AND ATTACH RECEIVER WITH INCLUDED NUTS AND BOLTS See illustrations in STEP 3.

STEP 6: GATE LOCK CAN NOW BE PERMANENTLY MOUNTED WITH THE INCLUDED NUTS AND BOLTS TO THE GATE CROSS-MEMBER OR GATE SURFACE.

Drill the holes through the gate to attach bolts, nuts, and washers. Tighten lock securely.

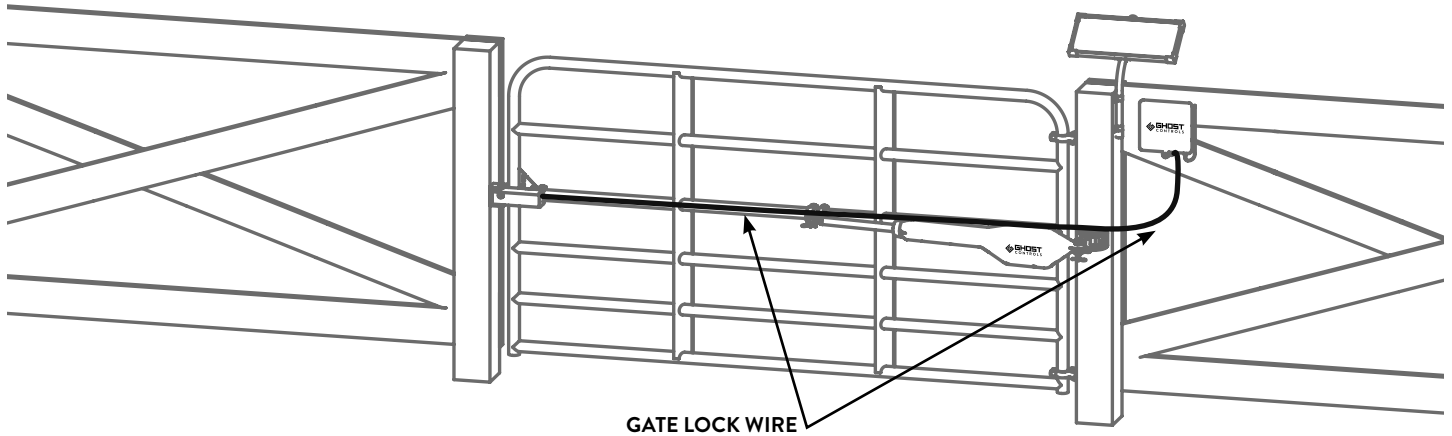
CONNECTING LOCK TO THE CONTROL BOX

STEP 1: VERIFY SWITCH AT CONTROL BOX IS OFF



STEP 2: RUN THE ZOMBIELOCK WIRES FROM GATE LOCK TO THE CONTROL BOX

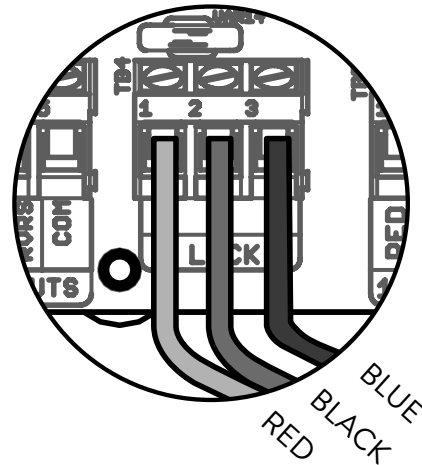
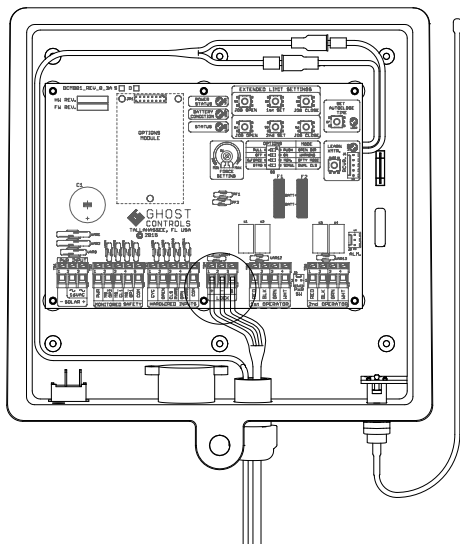
Run the wire across the cross section of the bar into the control box.



STEP 3: CONNECT THE WIRES FROM GATE LOCK TO CONTROL BOX

Connect the gate lock wires to the LOCK terminals on the control board. Once the red, black, and blue wires are connected to the terminals, tighten each of the screws so that the wires do not come loose.

- Red wire connects to positive (+)
- Black wire connects to negative (-)
- Blue wire connects to S (S)



STEP 4: CONTROLLER WILL AUTOMATICALLY DETECT THE LOCK WHEN SWITCH IS TURNED ON

- Lock (if present) will be pulled (unlocked) for a few seconds at the closed position before opening. If lock is not completely pulled the gate will not open to prevent damage to the gate and lock.
- Lock will also be pulled (unlocked) near the closed limit position when it is closing to ensure a smooth and "soft" closing operation.

STEP 5: RECONNECT OPERATOR ARM TO FRONT GATE BRACKET WITH CLEVIS PIN AND HAIRCLIP

NOTE

MAKE SURE THE GATE LOCK CLOSES FIRMLY IN THE RECEIVER, SOME ADJUSTMENTS OF GATE CLOSURE MAY BE NECESSARY. REFER TO YOUR GATE OPENER MANUAL FOR THE CLOSED POSITION ADJUSTMENT.



WARNING: This product can expose you to chemicals including lead, which is known to the State of California to cause cancer. For more information, go to www.P65Warnings.ca.gov.

