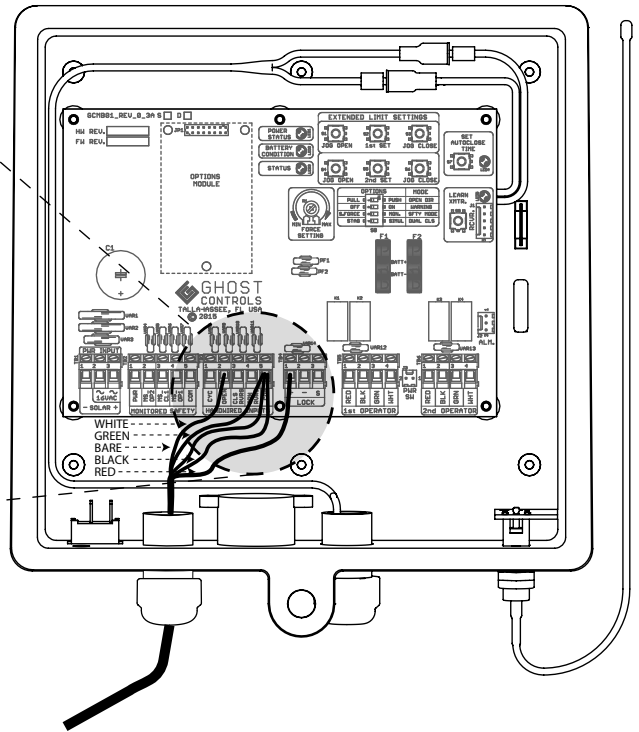
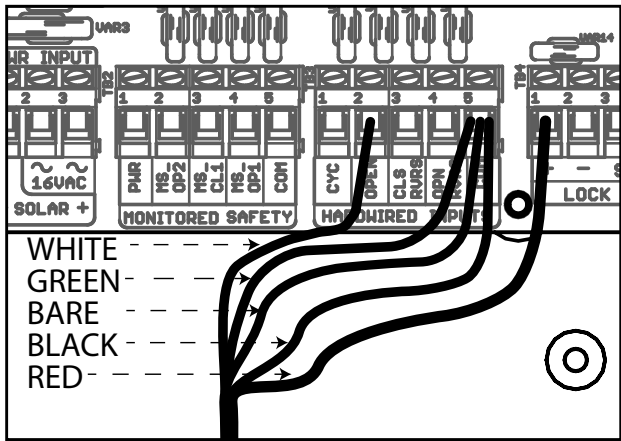
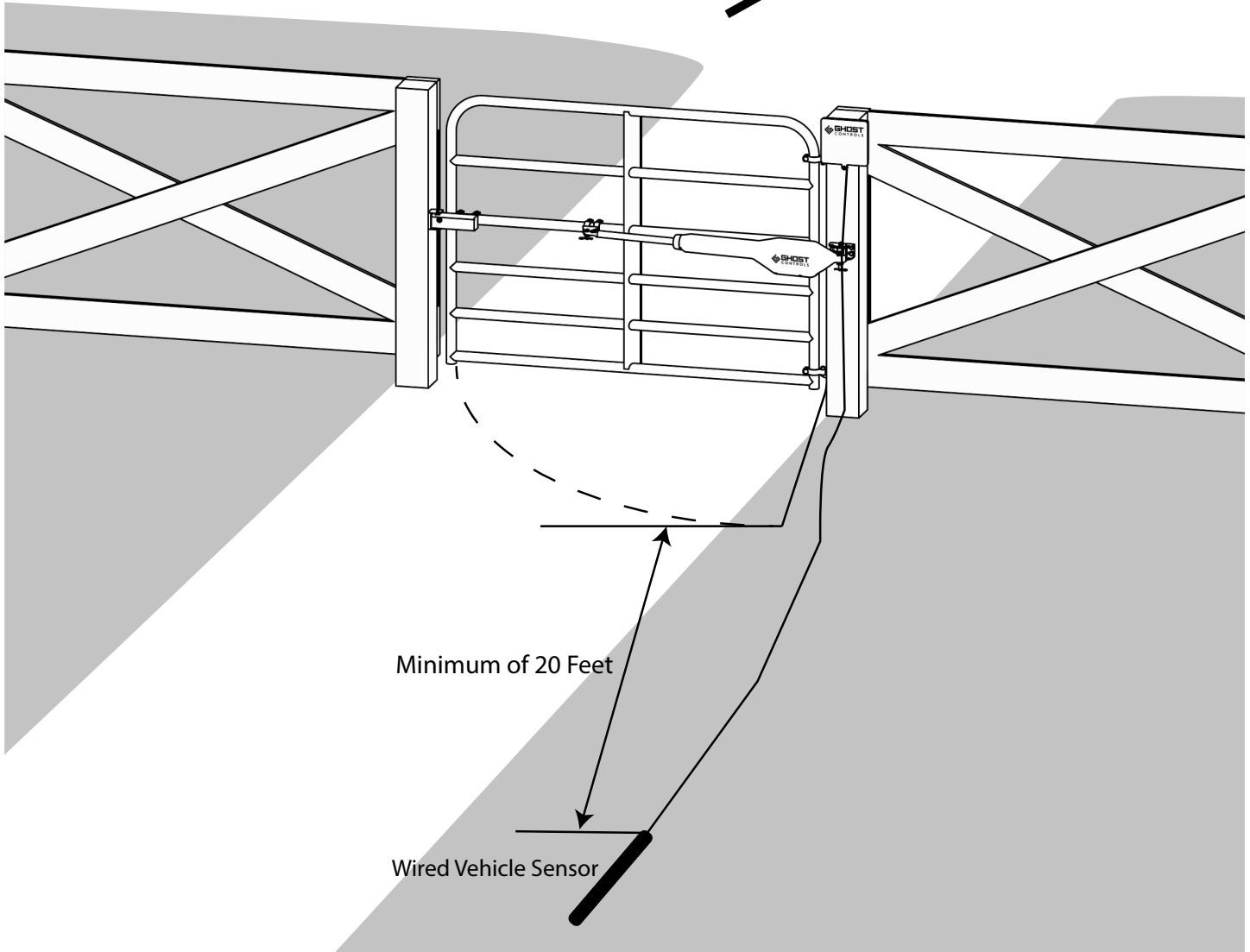


VEHICLE SENSOR WITH 55' CABLE

OVERVIEW



- WHITE (Output: Normally Open) Wire connects to OPEN on Hardwired Input
- GREEN (Output: Common) Wire connects to COM on Hardwired Input
- BARE (Shield) Wire connects to COM on Hardwired Input
- BLACK (Power In -) Wire connects to COM on Hardwired Input
- RED (Power In +) Wire connects to + on Lock



VEHICLE SENSOR WITH 55' CABLE

OVERVIEW

NOTE

PLEASE READ THE MANUFACTURERS INSTRUCTIONS INCLUDED WITH THIS ITEM PRIOR TO INSTALLING.

TIPS FOR INSTALLATION:

All wires should be enclosed within PVC conduit above and below ground to provide an additional level of protection from the environment. Do not enclose the sensor wand itself within conduit.

Ghost Controls does not recommend splicing the sensor wire to extend its length.

WAND MUST BE LOCATED AT LEAST 20' BEYOND THE PATH OF THE MOVING GATE!

Most installations require this wand to be buried as close to the driveway, inside of the property, as possible for maximum detection of moving vehicles.

INSTALLING YOUR VEHICLE SENSOR:

STEP 1: PLAN YOUR INSTALLATION LOCATION

Lay the sensor and wire out on the ground with the sensor next to the driveway in your intended location. Verify that enough of the wire remains so that you can securely attach the wire up the post and into the gate opener system control box. The wand must be buried at least 20 feet beyond the path of the moving gate.

STEP 2: DIG A TRENCH

Mark the entire length of the trench and dig it to approximately 12" in depth.

STEP 3: ENCLOSE THE WIRE IN PVC CONDUIT

PVC Conduit should be used for best results and ease of installation.

STEP 4: TURN POWER OFF AND CONNECT WIRES

Turn the power switch to the Ghost Controls system controller to the off position before making connections. You will first need to remove the knock out on the bottom of control box and add the included straw relief. Refer to the wiring diagram on the back of this page for proper color orientation for each connection.

STEP 5: TURN GATE SYSTEM POWER ON

Make sure there is not a vehicle or any other metal object near the wand. Turn the power switch to the on position and wait at least 3 minutes for system calibration.

STEP 6: TEST THE SENSOR BY DRIVING A VEHICLE DOWN DRIVEWAY

Verify that the system operates properly. If you experience issues, please check wiring connections and refer to manufacturers instructions for troubleshooting. If you are unable to remedy problem, contact Ghost Controls Technical Support at <https://ghostcontrols.desk.com> or by calling 850-898-1411.

STEP 7: FILL IN TRENCH

After verifying that the sensor is functioning properly, fill-in the trench.

WARRANTY:

GHOST CONTROLS® Vehicle Sensors are warrantied for 18 months with proof of purchase. An additional 6 month warranty is available at NO COST if you register your solar panel within 30 days of purchase on www.ghostcontrols.com/register. See warranty terms on www.ghostcontrols.com/warranty.

For more information on GHOST CONTROLS® Automatic Gate Openers and Accessories please visit our website at www.ghostcontrols.com.



WARNING: This product can expose you to chemicals including lead, which is known to the State of California to cause cancer. For more information, go to www.P65Warnings.ca.gov

