



Don't work harder. Work smarter.



Mega-550S AUTO DARKENING WELDING HELMET

Operating Manual

Revision: A Issue Date: July 2015 Manual No.: 0-ST550S715

We Appreciate Your Business.

Thank you and congratulations on choosing Smarter Tools. Now you can stop working harder and start working smarter.

This Operating Manual has been designed to instruct you on the correct use and operation of your Smarter Tools' product. Your satisfaction with this product and its safe operation is our ultimate concern. Therefore please take the time to read the entire manual, especially the Safety Precautions. They will help you to avoid potential hazards that may exist when working with this product.



WARNING!

READ AND UNDERSTAND ALL SAFETY PRECAUTIONS IN THIS MANUAL BEFORE OPERATING. FAILURE TO COMPLY WITH INSTRUCTIONS IN THIS MANUAL COULD RESULT IN PERSONAL INJURY, PROPERTY DAMAGE, AND/OR VOIDING OF YOUR WARRANTY. SMARTER TOOLS WILL NOT BE LIABLE FOR ANY DAMAGE BECAUSE OF FAILURE TO FOLLOW THESE INSTRUCTIONS.

Operating Manual Number 0-STM550S715

Smarter Tools M550S Auto Darkening Welding Helmet Part No. M550S

Published by:
Smarter Tools, Inc.
12195 Harley Club Drive
Ashland, VA 23005
(804) 798.8588

www.usesmartertools.com

Copyright © 2015 by
Smarter Tools, Inc.

Reproductions of this work, in whole or in part, without written permission of the publisher are strictly prohibited.

The publisher does not assume and hereby disclaims any liability to any party for any loss or damage caused by any error or omission in this Manual, whether such error results from negligence, accident, or any other cause.


Publication Date: 07.31.15

Table of Contents

I.	Symbol Usage	1
II.	Arc Welding Hazards.....	1
	Arc rays	1
	Welding Helmets	1
	Noise	2
	Read Instructions	2
	Fumes and Gases.....	2
III.	Proposition 65 Warnings	2
IV.	Safety Instructions.....	3
V	Operating Instructions.....	4
	Function	4
	Before welding	4
	Shade Number and Grinding Mode Selection	4
	Adjusting headband	5
	Solar Cells.....	5
	Shades	5
	Filters	5
VI.	Technical Specifications	5
VII.	Dark Shader Selection	6
VIII.	sensitivity and Delay selection	7
	Sensitivity Control	7
	Delay Control	7
	Low Battery	7
IX	Lens & Helmet Maintenance	8
X.	Parts List and diagram.....	9
XI	Trouble Shooting.....	10
	Warranty.....	11

NOTE

CAREFULLY READ THE ORIGINAL INSTRUCTIONS BEFORE USING THIS PRODUCT. THE MANUFACTURER RESERVES THE RIGHT TO MAKE CHANGES AND IMPROVEMENTS TO THE PRODUCTS AND TO ALTER SPECIFICATIONS WITHOUT PRIOR NOTICE

 **Protect yourself and others from injury — read, follow, and save these important safety precautions and operating instructions.**

I. Symbol Usage



DANGER! – Indicates a hazardous situation which, if not avoided, will result in death or serious injury. The possible hazards are shown in the adjoining symbols or explained in the text.

Indicates special instructions.



Indicates a hazardous situation which, if not avoided, could result in death or serious injury. The possible hazards are shown in the adjoining symbols or explained in the text.

This group of symbols means Warning! Watch Out! **ELECTRIC SHOCK, MOVING PARTS, and HOT PARTS** hazards. Consult symbols and related instructions below for necessary actions to avoid the hazards.

NOTICE – Indicates statements not related to personal injury.

II. Arc Welding Hazards



Only qualified persons should install, operate, maintain, and repair this unit.



ARC RAYS can burn eyes and skin.

Arc rays from the welding process produce intense visible and invisible (ultraviolet and infrared) rays that can burn eyes and skin. Sparks fly off from the weld.

- Wear a welding helmet fitted with a proper shade of filter to protect your face and eyes when welding or watching (see ANSI Z49.1 and Z87.1 listed in Safety Standards). Refer to Lens Shade Selection on page 6.
- Wear approved safety glasses with side shields under your helmet.
- Use protective screens or barriers to protect others from flash, glare, and sparks; warn others not to watch the arc.
- Wear protective clothing made from durable, flame-resistant material (leather, heavy cotton, and wool) and foot protection.
- Before welding, adjust the auto-darkening lens sensitivity setting to meet the application.
- Stop welding immediately if the auto-darkening lens does not darken when the arc is struck.
- See the Owner's Manual for more information.



WELDING HELMETS do not provide unlimited eye, ear, and face protection.

Arc rays from the welding process produce intense visible and invisible (ultraviolet and infrared) rays that can burn eyes and skin. Sparks fly off from the weld.

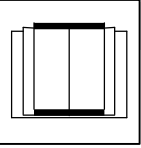
- Use impact resistant safety spectacles or goggles and ear protection at all times when using this welding helmet.
- Do not use this helmet while working with or around explosives or corrosive liquids.
- Do not weld in the overhead position while using this helmet.
- Inspect the auto-lens frequently. Immediately replace any scratched, cracked, or pitted cover lenses or auto-lenses.



NOISE can damage hearing.

Noise from some processes or equipment can damage hearing.

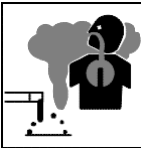
- Wear approved ear protection if noise level is high.



READ Instructions

Read and follow all labels and the Owner's Manual carefully before installing, operating, or servicing unit. Read the safety information at the beginning of the manual and in each section.

- Use only genuine replacement parts from the manufacturer.
- Perform maintenance and service according to the Owner's Manuals, industry standards, and national, state, and local codes.



FUMES AND GASES can be hazardous.

Welding produces fumes and gases. Breathing these fumes and gases can be hazardous to your health.

- Keep your head out of the fumes. Do not breathe the fumes.
- If inside, ventilate the area and/or use local forced ventilation at the arc to remove welding fumes and gases.
- If ventilation is poor, wear an approved air-supplied respirator.
- Read and understand the Material Data Sheets (MDS) and the manufacturer's instructions for metals, consumables, coatings, cleaners, and degreasers.
- Work in a confined space only if it is well ventilated, or while wearing an air-supplied respirator.
 - Always have a trained watchperson nearby. Welding fumes and gases can displace air and lower the oxygen level causing injury or death. Be sure the breathing air is safe.
- Do not weld in locations near degreasing, cleaning, or spraying operations. The heat and rays of the arc can react with vapors to form highly toxic and irritating gases.
- Do not weld on coated metals, such as galvanized, lead, or cadmium plated steel, unless the coating is removed from the weld area, the area is well ventilated, and while wearing an air-supplied respirator. The coatings and any metals containing these elements can give off toxic fumes if welded.

III. Proposition 65 Warnings



Welding or cutting equipment produces fumes or gases which contain chemicals known to the State of California to cause birth defects and, in some cases, cancer. (California Health & Safety Code Section 25249.5 et seq.)



This product contains chemicals, including lead, known to the state of California to cause cancer, birth defects, or other reproductive harm. *Wash hands after use.*

IV. SAFETY INSTRUCTIONS

WARNING! FOR YOUR SAFETY & PROTECTION, READ ALL SAFETY WARNINGS AND INSTRUCTIONS CAREFULLY AND COMPLETELY BEFORE USING THIS PRODUCT. FAILURE TO DO SO MAY CAUSE DAMAGE OR PERSONAL INJURY.

- Do not place the helmet on a hot surface
- Do not immerse the filter in water or any other liquid
- Protect the filter from being in contact with liquid or dirt. Clean filter surface regularly.
- The front cover lens is not unbreakable and does not provide extraordinary protection against flying particles, splash, spray, and spatter. The helmet will only protect the eyes and face from radiation and sparks.
- Never open or tamper with the Auto-Darkening filter
- The outside of the lens must be equipped with an outside protection plate (included) to prevent potential non-repairable hazards.
- Keep away from children, children must never be allowed in the work area. **DO NOT!** let them handle machines, tools, or extension cords.
- **DO NOT!** Use if the filter does not darken immediately upon striking the arc.
- **DO NOT!** Use the helmet as a hand shield. Wear the helmet correctly.
- Wear approved safety glasses with side shields under your helmet.
- Use protective screens or barriers to protect others from flash and glare; warn others not to watch the arc.

WARNING! CAREFULLY READ AND UNDERSTAND ALL INSTRUCTIONS BEFORE USING YOUR NEW AUTO- DARKENING WELDING HELMET

The Auto-darkening welding helmet is designed to protect the eyes and face from specks, spatter, and harmful radiation under normal welding conditions. The Auto-darkening filter automatically changes from a light state to a dark state in only 1/25000S when an arc is struck and it returns to the light state when welding stops.

This product is suitable for a variety of welding processes.

- When the arc is struck, the Auto-darkening filter will turn from a clear state to a dark state. The response time is less than 1/25000S.
- The helmet provides the user's eyes and face full protection against UV and IR radiation during the entire welding process, even in the clear state. The UV/IR protection level is up to the shade 13 (DIN) at all times.
- The product is in full conformity with related DIN, EN safety standards, and ANSI Z87.1 standards.

V. Operating Instructions

Function

The Auto-Darkening Welding Helmet is designed to protect the eyes and face from sparks, splatter, and harmful radiation under normal welding conditions. The Auto-Darkening Filter automatically changes from a clear state to a dark state when an arc is struck, and it returns to the clear state when welding stops.

Before Welding

The Auto-Darkening Welding Helmet comes ready for use. The only things you need to do before welding are to

- remove the protective film from both sides of the lens (if not already done),
- adjust the position of the headband,
- select the correct shade number for your application, and
- test the helmet for proper operation as described following.

Check the Front Cover Lens to make sure that it is clean, and that no dirt is covering the two sensors on the front of the Filter Cartridge. Also check the Front/Inside Cover Lens and the Front Lens Retaining Frame, and make sure that they are secured in place. Inspect all operating parts before each use for signs of wear or damage. Any scratched, cracked, or pitted parts should be replaced immediately before using again to avoid severe personal injury.

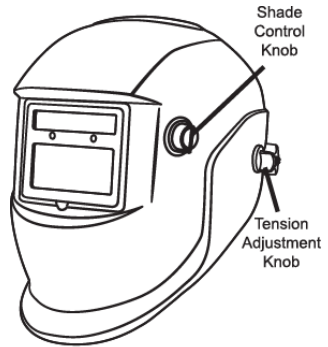


Figure A

Shade Number and Grinding Mode Selection

1. Select the shade number you need (see Shade Guide Chart on page 6) by turning the Shade Control Knob. Be sure that the shade number of the Welding Helmet is the correct shade number for your application.
2. Note: If selections of shades are recommended for your application, try the darkest setting first.
3. The shade number can be set from 9 to 13 by turning the Shade Control Knob until points to the desired shade number. See Figure B.
4. Remember to check with the Shade Guide Chart on page 6 to determine the proper shade number for your application.
5. Important Note: Test the helmet auto-darkening filter lens before welding. While wearing the helmet, briefly strike an arc, keeping your face and eyes turned slightly away, and to one side. The lens should darken evenly when not directly facing the arc. If it does not darken properly, do not use the Welding Helmet.



Figure B

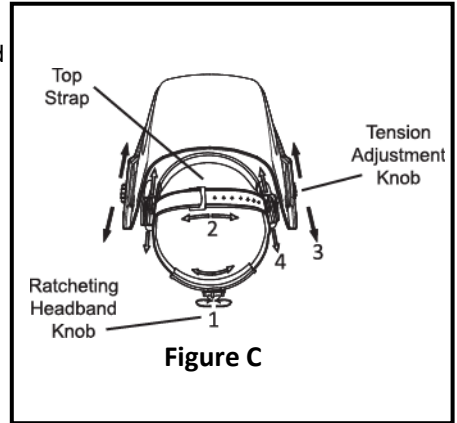
Adjusting Headband

Adjust the Headband so that the helmet is seated securely on your head as low as possible and close to your face.

Adjust the Headband width by turning the Ratcheting Headband Knob to make sure the Front Cover Lens is aligned with your eyes.

Adjust the Headband height by tightening or loosening the top strap until the Helmet fits snug on your head.

Once the Headband is properly adjusted, lower the Helmet over your face until the proper angle is found. Then turn the Tension Adjustment Knobs on either side of the helmet, locking the helmet's angle in place.



Solar Cells

This Welding Helmet utilizes high performance solar cells as power supply, and has one CR2032 lithium battery as power backup.

Shades

User-selectable variable shades from 9 to 13 are adjusted at the turn of a shade knob (shade variable).

Filters

The ultra high performance of UV and IR Auto-Darkening filters provides to user's eyes and face full protection against UV and IR radiation during entire welding process, The UV/IR protection level is up to shade 13 at all times.

VI. TECHNICAL SPECIFICATIONS

Model	MEGA 550S
Weight	16 oz
Viewing Area	3.6" x 1.65" (92 x42mm)
Cartridge Size	4.3" x 3.5" (110 x 90mm)
Uv/IR Protection	Up to shade DIN13 at all times
Light State/ Grind Mode	Din 4
Dark State	Variable shade 9-13
Shade Control	External, Variable
Sensitivity Control	Low- High - infinite dial knob
Switch Time (Light to Dark)	1/25000s
Dark to Light Time Delay	0.1-1.0s - infinite dial knob
Power On / Off	Fully Automatic
Arc Sensor	2
TIG Amp Range	DC≥ 10 AC≥ 10
Operating Temperature	23° F to 131°F (-5°C to +55°C)
Storing Temperature	-4°F to 158°F (-20°C to +70°C)
Self-check	Self-Test button
Compliance	ANSI Z87.1-2010, CSA Z94.3
Low voltage indicator	Yes
Power Supply	Solar Cell and 1 x CR2032 Lithium battery

VII. DARK SHADER SELECTION

- Select the shade level according to the welding process and the value of the welding current by turning the potentiometer knob on the left side of the helmet
- The shade number can be between DIN9 to DIN13. Select a shade number by turning the shade knob until the arrow points to the required setting (See Shade Guide Table)
- ALWAYS use suggested shade numbers instead of minimum shades.
- Provide additional task lighting that suits welders' needs.
- ALWAYS use the same shade as the welder's if you are directly observing the welding arc.

LENS SHADE SELECTOR

Shade numbers are given as a guide only and may be varied to suit individual needs.

Process	Electrode Size in. (mm)	Arc Current (Amperes)	Minimum Protective Shade	Suggested* Shade No. (Comfort)
Shielded Metal Arc Welding (SMAW)	Less than 3/32 (2.4)	Less than 60	7	-
	3/32-5/32 (2.4-4.0)	60-160	8	10
	5/32-1/4 (4.0-6.4)	160-250	10	12
	More than 1/4 (6.4)	250-550	11	14
Gas Metal Arc Welding (GMAW) and Flux Cored Arc Welding (FCAW)		Less than 60	7	-
		60-160	10	11
		160-250	10	12
		250-550	10	14
Gas Tungsten Arc Welding (GTAW)		Less than 50	8	10
		50-100	8	12
		150-500	10	14
Air Carbon Arc Cutting (CAC-A)		Less than 500	10	12
		500-1000	11	14
Plasma Arc Welding (PAW)		Less than 20	6	6 to 8
		20-100	8	10
		100-400	10	12
		400-800	11	14
Plasma Arc Cutting (PAC)		Less than 20	4	4
		20-40	5	5
		40-60	6	6
		60-80	8	8
		80-300	8	9
		300-400	9	12
		400-800	10	14

*As a rule of thumb, start with a shade that is too dark to see the weld zone. Then go to a lighter shade which gives sufficient view of the weld zone without going below the minimum.

VIII. SENSITIVITY and DELAY SELECTION

Sensitivity Control: The Sensitivity Control is designed to make the filter lens more responsive to different light levels. Welding applications and processes produce differing light levels which in turn necessitate varying filter lens sensitivity adjustments. Manually adjust the sensitivity level as required for application.



Delay Control: The delay control is used to adjust the hold time of the Filter Lens after welding is completed (i.e. it is used to adjust the time taken for the Filter Lens to transition from dark to light state after the completion of welding). Manually adjust delay time to desired level as required by application.

Low Battery

The low battery light will indicate when the battery is low and need to be replaced with a CR2032 battery.



IX. LENS & HELMET MAINTENANCE

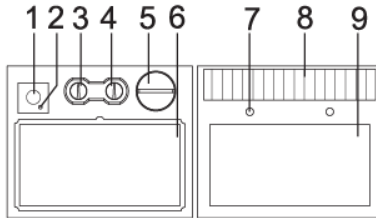
- **DO NOT!** use corrosive solvent on the filter screen or any of the helmets components
- **DO NOT!** immerse the filter lens in water or any other liquid
- If helmet is not in use, please keep it in a dry place. Be aware that the Auto-darkening filter should not be placed in direct light to avoid unnecessary filter adjustments. It may cause damage to control system.
- Clean the filter lens with a clear lint-free tissue or cotton cloth
- You should inspect this helmet frequently and immediately replace worn or damaged parts.

Replace the Front Lens Cover if it is damaged (cracked, scratched, soiled or pitted).

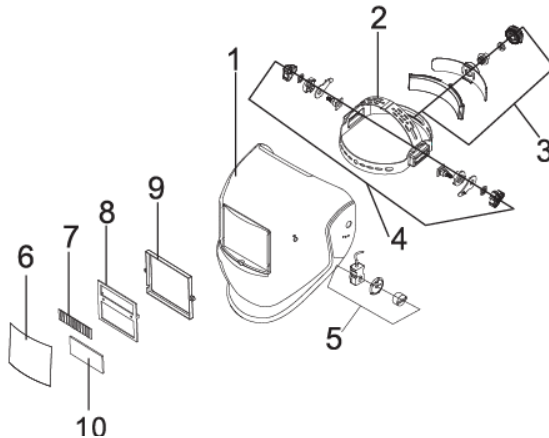
1. To Replace the Cover:
 - A. Lift up on the tab at the bottom of the outer frame to unsnap the frame and access the lens cover. Pull out the lens cover.
 - B. Remove the protection film from both sides of the new Lens if it comes with a film covering.
 - C. Place the new lens into place and snap the frame securely to hold the lens in place.
2. Clean the filter lens with a clean lint free tissue or cotton cloth.
3. Do not immerse the lens in water or any other liquid. Do not use abrasives, solvents or oil based cleaners.
4. Do not remove the auto--darkening filter from the Auto Darkening Welding Helmet. Do not try to open the filter.
5. Storage temperature -4° F to 158° F.

X. Parts List and Diagram

Part#	Description	Part#	Description
1	Self-test button	6	LCD
2	Low voltage indicator	7	Arc sensor
3	Delay time control knob	8	Solar cell
4	Sensitivity control knob	9	UV/IR filter
5	lithium batteries		



Part#	Description	Part#	Description
1	Helmet shell	6	Front cover lens
2	Headband height adjusting pin	7	Solar panel
3	Headband diameter adjusting	8	Fixed plate
4	Headband angle adjusting Knob	9	Cartridge frame
5	Shade control knob	10	Filter lens



XI Trouble Shooting

1. Irregular Darkening Or Dimming
 - a. Headband has been set unevenly on both sides of helmet (unequal distances from the eyes to filter's lens).
 - b. Reset Headband to reduce difference in distances to filter, if necessary.
2. Auto-Darkening Filter Does Not Darken Or Flickers
 - a. Front Cover Lens is dirty or damaged (clean or change the cover lens).
 - b. Sensors are dusty or dirty (clean surface of the sensors).
 - c. Grind mode is selected (Adjust shade from 9 to 13)
3. Slow Response
 - a. Operating temperature is too low (do not use at temperatures below 23" F).
4. Poor Vision
 - a. Front/Inside Cover Lens and/or filter dirty or damaged (clean or replace lens).
 - b. Insufficient ambient light.
 - c. Shade number is incorrectly set (reset shade number).
5. Welding Helmet Slips
 - a. Headband is not adjusted properly (must be lowered).

Warning!!

Stop using the Helmet Immediately If any of the mentioned problems cannot be corrected.

LIMITED WARRANTY

This information applies to Smarter Tools products purchased in the USA and Canada.

September 2015

LIMITED WARRANTY: Smarter Tools™, Inc. warrants to customers of authorized distributors ("Purchaser") that its products will be free of defects in workmanship or material. Should any failure to conform to this warranty appear within the warranty period stated below, Smarter Tools shall, upon notification thereof and substantiation that the product has been stored, installed, operated, and maintained in accordance with Smarter Tools' specifications, instructions, recommendations and recognized standard industry practice, and not subject to misuse, repair, neglect, alteration, or damage, correct such defects by suitable repair or replacement, at Smarter Tools' sole option, of any components or parts of the product determined by Smarter Tools to be defective.

This warranty is exclusive and in lieu of any warranty of merchantability, fitness for any particular purpose, or other warranty of quality, whether express, implied, or statutory.

Limitation of liability: Smarter Tools shall not under any circumstances be liable for special, indirect, incidental, or consequential damages, including but not limited to lost profits and business interruption. The remedies of the purchaser set forth herein are exclusive, and the liability of Smarter Tools with respect to any contract, or anything done in connection therewith such as the performance or breach thereof, or from the manufacture, sale, delivery, resale, or use of any goods covered by or furnished by Smarter Tools, whether arising out of contract, tort, including negligence or strict liability, or under any warranty, or otherwise, shall not exceed the price of the goods upon which such liability is based.

No employee, agent, or representative of Smarter Tools is authorized to change this warranty in any way or grant any other warranty, and Smarter Tools shall not be bound by any such attempt. Correction of non-conformities, in the manner and time provided herein, constitutes fulfillment of Smart Tools' oblig purchaser with respect to the product.

This warranty is void, and seller bears no liability hereunder, if purchaser used replacement parts or accessories which, in Smarter Tools' sole judgment, impaired the safety or performance of any Smarter Tools product. Purchaser's rights under this warranty are void if the product is sold to purchaser by unauthorized persons.

The warranty is effective for the period of 3-years beginning on the date that the authorized distributor delivers the products to the Purchaser. Notwithstanding the foregoing, in no event shall the warranty period extend more than the time stated plus one year from the date Smarter Tools delivered the product to the authorized distributor.

Warranty repairs or replacement claims under this limited warranty must be submitted to Smarter Tools Customer Service (888-241-8498 or <http://www.usesmartertools.com/customerservice>) or an authorized Smarter Tools repair facility within thirty (30) days of purchaser's discovery of any defect. Smarter Tools shall pay no transportation costs of any kind under this warranty. Transportation charges to send products to an authorized warranty repair facility shall be the responsibility of the Purchaser. All returned goods shall be at the Purchaser's risk and expense.

Smarter Tools™ is a Trademark of Smarter Tools, Inc.

GARANTÍA LIMITADA.

Esta información se aplica a los productos más inteligentes herramientas adquiridos en los USA, y Canadá.

09 2015

GARANTÍA LIMITADA: Smarter Tools™, Inc. garantiza a los clientes de los distribuidores autorizados ("Comprador") que sus productos estarán libres de defectos de fabricación o materiales. En caso de que el incumplimiento de esta garantía dentro del período de garantía se indican a continuación, Smarter Tools, previa notificación y comprobante de que el producto ha sido almacenado, instalado, operado y mantenido de acuerdo con las

especificaciones de Smarter Tools, instrucciones, recomendaciones y reconoció la práctica estándar de la industria, y no está sujeto a mal uso, reparación, negligencia, alteración o daño, corregir tales defectos mediante reparación o reemplazo apropiado, a elección de Smarter Tools, de cualquier componente o parte del producto determinado por Smarter Tools para ser defectuoso.

Esta garantía es exclusiva y en lugar de cualquier garantía de comerciabilidad, adecuación para un propósito particular, o de otra garantía de calidad, ya sea expresa, implícita o legal.

Limitación de responsabilidad: Herramientas inteligentes no será en ningún caso será responsable por daños especiales, indirectos, incidentales o consecuentes, incluyendo pero no limitado a la pérdida de beneficios e interrupción del negocio. Los remedios del comprador establecidos en este documento son exclusivas, y la responsabilidad de Smarter Tools con respecto a cualquier contrato, ni nada hecho en relación con la misma, tales como el desempeño o incumplimiento del mismo, o de la fabricación, venta, entrega, la reventa, o el uso de cualquier producto cubierto por o provistas por Smarter Tools, tanto si se producen fuera de contrato, acto ilícito, incluida la negligencia o responsabilidad estricta, o bajo cualquier garantía, o de lo contrario, no podrá superar el precio de los bienes sobre los cuales se basa tal responsabilidad.

Ningún empleado, agente o representante de Smarter Tools está autorizado a cambiar esta garantía en cualquier forma o conceder ninguna otra garantía, y Smarter Tools no estará obligado por cualquier intento de este tipo. Corrección de no conformidades, en la

forma y plazos previstos en este documento, que constituye el cumplimiento de las obligaciones de Smart Tools "al comprador con respecto al producto.

Esta garantía es nula, y el vendedor no tiene ninguna responsabilidad a continuación, en caso de adquisición utilizado repuestos o accesorios que, a su juicio Smarter Tools, deterioro de la seguridad o el rendimiento de cualquier producto Smarter Tools.

Comprador derechos bajo esta garantía se anula si el producto se vende al comprador por personas no autorizadas.

La garantía es válida para el período de inicio de 3 año en la fecha en que el distribuidor autorizado entrega los productos al comprador. No obstante lo anterior, en ningún caso el período de garantía se extienden más de la hora señalada más de un año desde la

fecha de Smarter Tools entrega del producto al distribuidor autorizado. Garantía de reparación o reemplazo de los reclamos bajo esta garantía limitada debe ser presentado a más inteligentes Herramientas de Servicio al Cliente (888-241-8498 o <http://www.useSMARTTOOLS.com/customerService>) o un centro de reparación autorizado más inteligentes herramientas dentro de los treinta (30) días de comprador

descubrimiento de cualquier defecto. Smarter Tools no pagará los costos de transporte de cualquier especie en virtud de esta garantía. Los gastos de transporte para enviar productos a un centro de garantía de reparación autorizados será responsabilidad del comprador. Todas las mercancías de retorno será a riesgo de comprador y los gastos.

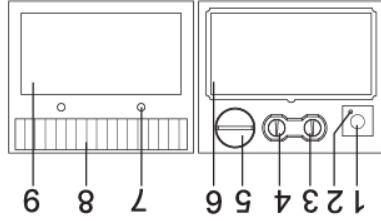
Más inteligente™ Tools es una marca registrada de Smarter Tools, Inc

XI. Solución de problemas

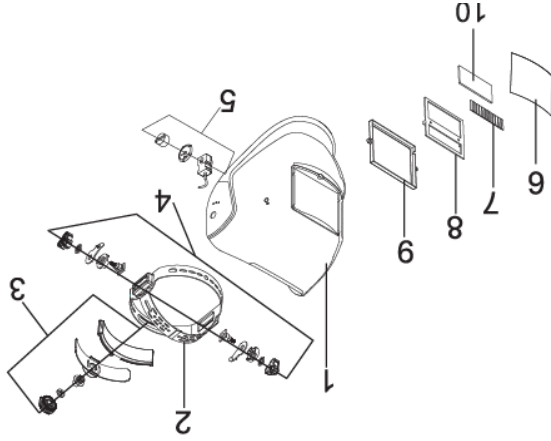
1. El oscurecimiento irregular o oscurecimiento
a. Diadema se ha establecido de manera desigual a ambos lados del casco (distancias desiguales de los ojos a la lente de filtro).
b. Restablecer diadema para reducir la diferencia en las distancias para filtrar, si es necesario.
 2. Auto-oscurcimiento del filtro no se oscurece o parpadea
a. Cubierta de la lente frontal está sucio o dañado (limpia o cambiar la lente cubierta).
b. Los sensores son polvo o suciedad (superficie limpia de los sensores).
c. Se ha seleccionado el modo de Grind (Ajuste sombra del 9 al 13)
 3. Respuesta lenta
a. Temperatura de funcionamiento es demasiado baja (no utilice a temperaturas por debajo de 23 °F).
4. Pobre Visión
a. Frente / cubierta de la lente interior y / o filtro sucio o dañado (limpiar o sustituir la lente).
b. Luz ambiental insuficiente.
c. Número Shade está mal ajustado (reajustar número de sombra).
 5. Soldadura Casco Slips
a. Cinta de cabeza no está ajustado correctamente (debe ser rebajado).
- Advertencia!!**
Deje de usar el casco de inmediato si alguno de los problemas mencionados, no se puede corregir.

X. Lista de piezas y Diagrama

Part#	Description	Part#	Description
1	Self-test button	6	LCD
2	Low voltage indicator	7	Arc sensor
3	Delay time control knob	8	Solar cell
4	Sensitivity control knob	9	UV/IR filter
5	Lithium batteries		



Part#	Description	Part#	Description
1	Helmet shell	6	Front cover lens
2	Headband height adjusting pin	7	Solar panel
3	Headband diameter adjusting knob	8	Fixed plate
4	Headband angle adjusting knob	9	Cartridge frame
5	Shade control knob	10	Filter lens



IX. LENTE Y CASCO DE MANTENIMIENTO

- **!NO!** utilizar disolventes corrosivos para limpiar la pantalla de filtro o cualquiera de los componentes de cascos
 - **!NO!** sumergir la lente de filtro en agua o cualquier otro líquido
 - Si el casco no está en uso, guárdelo en un lugar seco. Tenga en cuenta que el filtro de oscurecimiento automático no se debe colocar a la luz directa para evitar ajustes de filtro innecesarios. Puede causar daños al sistema de control.
 - Limpie la lente de filtro con un paño libre de pelusa o un paño de algodón
 - Usted debe inspeccionar este casco con frecuencia e inmediatamente reemplazar las piezas desgastadas o dañadas.
- Sustituya la cubierta de la lente frontal si está dañada (agrietado, rayado, sucio o superficialmente sin hueso).
1. Para reemplazar la cubierta:
 - A. Levante la pestaña en la parte inferior del marco exterior a desabrochar el marco y acceso a la cubierta de la lente. Saque la tapa del objetivo.
 - B. Retire la película protectora de ambos lados de la nueva lente si viene con una cubierta de película.
 - C. Coloque la nueva lente en su lugar y encaje el marco de seguridad para mantener la lente en su lugar.
 2. Limpie la lente de filtro con un pañuelo de papel libre de pelusa o un paño de algodón.
 3. No sumergir la lente en agua o cualquier otro líquido. No utilice abrasivos, disolventes o limpiadores a base de aceite.
 4. No retire el auto - oscurecimiento del filtro del oscurecimiento automático de soldadura casco. No trate de abrir el filtro.
 5. Temperatura de almacenamiento -4° F to 158° F.



Batería baja

La luz de batería baja indicará cuando las baterías están bajas y necesitan ser reemplazadas baterías CR2032

Control de retardo: El control de retardo se utiliza para ajustar el tiempo de retención de la lente de filtro después de que se complete la soldadura (es decir, se utiliza para ajustar el tiempo necesario para que la lente de filtro para la transición de la oscuridad a la luz del estado después de la finalización de la soldadura). Ajuste manualmente el tiempo de retardo en el nivel deseado como lo requiere la aplicación.



Control de Sensibilidad: El control de sensibilidad está diseñado para hacer que la lente de filtro más sensible a diferentes niveles de luz. Aplicaciones y procesos de soldadura producen diferentes niveles de luz que a su vez requieren diferentes ajustes de sensibilidad de lentes de filtro. Para ajustar manualmente el nivel de sensibilidad como sea necesario para su aplicación.

VIII. SENSIBILIDAD Y RETRASO DE SELECCIÓN

VII. SELECCIÓN de SHADER OSCURO

- Seleccione el nivel de sombra de acuerdo con el proceso de soldadura y el valor de la corriente de soldadura girando el botón de potenciómetro para el selector de sombra de soldadura.
- El número de sombra puede estar entre DIN9 a DIN13. Seleccione un número de sombra girando el mando sombra hasta que la flecha apunte a la configuración requerida (Ver Guía de Colores Tabla)
- SIEMPRE use los números de sombra sugeridas en lugar de tonos mínimos.
- Proporcionar iluminación de la tarea adicional que se adapte a las necesidades de soldadores.
- Utilice siempre el mismo tono que el soldador de si usted está observando directamente el arco de soldadura.

LENTE SOMBRA DE SELECCIÓN

Shade numbers are given as a guide only and may be varied to suit individual needs.

Process	Electrode Size in. (mm)	Arc Current (Amperes)	Minimum Protective Shade	Suggested* Shade No. (Comfort)
Shielded Metal Arc Welding (SMAW)	Less than 3/32 (2.4)	60-160	7	-
	3/32-5/32 (2.4-4.0)	60-160	8	10
	5/32-1/4 (4.0-6.4)	160-250	10	12
Gas Metal Arc Welding (GMAW) and Flux Cored Arc Welding (FCAW)	More than 1/8 (6.4)	250-550	11	14
	Less than 60	60-160	7	-
	60-160	60-160	10	11
Gas Tungsten Arc Welding (GTAW)	Less than 50	50-100	8	10
	50-100	50-100	8	12
	150-500	150-500	10	14
Air Carbon Arc Cutting (CAC-A)	Less than 500	500-1000	10	12
	500-1000	500-1000	11	14
Plasma Arc Welding (PAW)	Less than 20	20-100	6	6 to 8
	20-100	20-100	8	10
	400-800	400-800	11	14
Plasma Arc Cutting (PAC)	Less than 20	20-40	4	4
	20-40	40-60	5	6
	60-80	60-80	8	8
	80-300	80-300	8	9
	300-400	300-400	9	12
	400-800	400-800	10	14

* Como regla general, comience con un tono que es demasiado oscuro para ver la zona de soldadura. Luego ir a un tono más claro que da vista suficiente de la zona de soldadura sin pasar por debajo del mínimo.

Model	MEGA 550S
Weight	16 oz
Viewing Area	92 x42mm
Cartridge Size	110 x 90mm
UV/IR Protection	Up to shade DIN13 at all times
Light State/ Grind Mode	Din 4
Dark State	Variable shade 9-13
Shade Control	External, Variable
Sensitivity Control	Low- High - infinite dial knob
Switch Time (Light to Dark)	1/25000s
Dark to Light Time Delay	0.1-1.0s - infinite dial knob
Power On / Off	Fully Automatic
Arc Sensor	2
TIG Amp Range	DC ≥ 10 AC ≥ 10
Operating Temperature	23° F to 131°F (-5°C to +55°C)
Storing Temperature	-4°F to 158°F (-20°C to +70°C)
Self-check	Self-Test button
Compliance	ANSI Z87.1-2010, CSA Z94.3
Low voltage indicator	Yes
Power Supply	Solar Cell and 1 x CR2032 Lithium battery

VI. ESPECIFICACIONES TÉCNICAS

en todo momento.

El ultra alto rendimiento de los filtros UV e IR Auto-Oscurecimiento ofrece a los ojos del usuario y se enfrentan a una protección completa contra los rayos UV y la radiación IR durante todo el proceso de soldadura. El nivel de protección UV / IR es de hasta 13 sombra

Filtros

Tonos seleccionables 9-13 se ajustan al mando (ver figura B)

Sombra selector

Este casco de soldadura utiliza células solares de alto rendimiento como fuente de energía, y tiene una batería de litio CR2032 como energía de reserva.

Células solares

el bloqueo del ángulo del casco de soldadura en su lugar.

correctamente, baje el casco en la cara hasta que se encuentre el ángulo adecuado. A continuación, gire las perillas de ajuste de tensión a ambos lados del casco de soldadura,

Una vez que la diadema se ajusta

cómodamente en la cabeza.

Ajuste la altura de la venda por apretar o aflojar la correa superior hasta que el casco se ajuste

ojos.

la cubierta de la lente frontal se alinea con los trinquete Diadema Perilla para asegurarse que

Ajuste el ancho de la venda girando el

posible y cerca de la cara.

asentada firmemente en la cabeza lo más baja Ajuste la diadema para que el casco está

Ajuste de la diadema

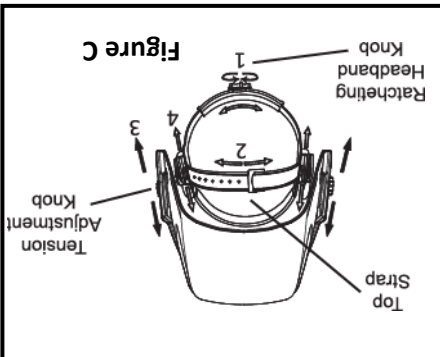


Figure C

V. Instrucciones de operación

Función

El oscurecimiento automático de soldadura casco está diseñado para proteger los ojos y la cara de chispas, salpicaduras y las radiaciones nocivas en condiciones normales de soldadura. El filtro de oscurecimiento automático cambia automáticamente de un estado claro a un estado oscuro cuando se golpea un arco, y vuelve al estado claro al soldar paradas.

Antes de soldar

El oscurecimiento automático de soldadura casco viene listo para su uso. Lo único que hay que hacer antes de la soldadura son

- Retire la película protectora de ambos lados de la lente (si no lo ha hecho),
- ajustar la posición de la banda para la cabeza,
- seleccionar el número de tono correcto para su aplicación, y
- probar el casco para el funcionamiento correcto de la siguiente manera descrita.

Compruebe la cubierta de la lente frontal para asegurarse de que está limpio, y la entrada de tierra está cubriendo los sensores en la parte delantera del cartucho de filtro. También puedes ver la cubierta de la lente frontal interior y el marco de retención de la lente frontal, y asegúrese de que están asegurados en su lugar. Inspeccione todas las piezas operativas antes de cada uso para detectar signos de desgaste o daño. Cualquier rayado, agrietado, o piezas deshusadas debe sustituirse inmediatamente antes de usar de nuevo para evitar lesiones personales graves.

Número de sombra y de selección de modo

1. Seleccione el número de sombra que necesita (consulte la Guía Sombra Gráfico en la página 6) girando la perilla de control de sombra. Asegúrese de que el número sombra del casco de soldadura es el número tono correcto para su aplicación.
2. Nota: Si se recomienda una gama de tonos para su aplicación, pruebe el ajuste más oscuro primero.
3. El número de sombra se puede ajustar del 9 al 13 girando la perilla de control de sombra hasta que apunte al número tono deseado. Ver Figura B.

4. Recuerde consultar con la Tabla de Guía de ajuste en la página 6 para determinar el número de sombra adecuada para su aplicación.

5. Nota Importante: Pruebe el casco de oscurecimiento automático lente de filtro antes de soldar. Si bien usar el casco, huela brevemente un arco, manteniendo la cara y los ojos se volvieron un poco lejos, ya un lado. La lente debe oscurecer de manera uniforme cuando no directamente frente al arco de soldadura. Si no se oscurece correctamente, no utilice el casco de soldadura.



Figure B

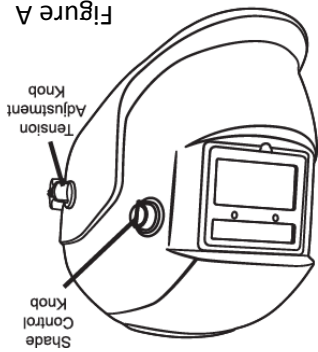


Figure A

IV. INSTRUCCIONES DE SEGURIDAD

ADVERTENCIA! PARA SU SEGURIDAD Y PROTECCIÓN, LEA TODAS LAS ADVERTENCIAS DE SEGURIDAD E INSTRUCCIONES Y EN SU TOTALIDAD ANTES DE UTILIZAR ESTE PRODUCTO. NO HACERLO PUEDE CAUSAR DAÑOS O LESIONES PERSONALES.

- No coloque el casco en una superficie caliente
- No sumerja el filtro en agua o cualquier otro líquido
- Proteja el filtro de estar en contacto con el líquido o suciedad. Superficie Limpie el filtro con regularidad.
- La lente de cubierta frontal no es irrompible y no proporciona una protección excepcional contra partículas volantes, salpicaduras, aerosoles y salpicaduras. El casco sólo protegerá los ojos y la cara de la radiación y las chispas.
- Nunca abra o manipule el filtro de oscurecimiento automático El exterior de la lente debe estar equipado con una placa de protección exterior (incluido) para evitar posibles daños no reparables.
- Mantener alejado de los niños, los niños no deben ser permitidos en el área de trabajo. **NO!** dejar que ellos manejen máquinas, herramientas o cables de extensión.
- **NO!** Utilice si el filtro no se oscurece inmediatamente después de golpear el arco.
- **NO!** Utilice el casco de soldadura como un escudo de mano.
- Use el casco correctamente.
- Use anteojos de seguridad con protección lateral debajo de su casco.
- Use pantallas de protección o barreras para proteger a otros de flash y el deslumbramiento; advertir a otros que no miren el arco.

ADVERTENCIA! LEA ATENTAMENTE Y ENTIENDA TODAS LAS INSTRUCCIONES ANTES DE USAR SU NUEVO CASCO DE SOLDADURA

El casco de oscurecimiento automático de soldadura está diseñado para proteger los ojos y la cara contra manchas, salpicaduras, y la radiación nociva en condiciones normales de soldadura. El filtro de oscurecimiento automático cambia automáticamente a partir de un estado de luz a un estado oscuro en sólo 1 / 25000S cuando se golpea un arco y se vuelve al estado de la luz cuando se suelta paradas.

Este producto es adecuado para una variedad de procesos de soldadura.

- Cuando se golpea el arco, el filtro de oscurecimiento automático a su vez de una lente transparente a un tono oscuro. El tiempo de respuesta es menor que 1 / 25000S.
- El casco proporciona los ojos del usuario y la cara plena protección contra UV y la radiación IR durante todo el proceso de soldadura, incluso en el estado claro. El nivel de protección UV / IR depende de la sombra 13 (DIN) en todo momento. El producto está en plena conformidad con la norma DIN relacionado, las normas de seguridad EN, y las normas ANSI Z87.1.

Este producto contiene químicos, incluyendo plomo, conocido en el estado de California como causante de cáncer, defectos de nacimiento y otros daños reproductivos. Lávese las manos después de su uso

Equipamiento de soldar o cortar produce humos o gases que contienen sustancias químicas que el Estado de California como causante de defectos de nacimiento y, en algunos casos, cáncer. (California Health & Safety Code Section 25249.5 et seq.)



III. Proposición 65 Advertencias

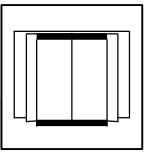
- Mantenga la cabeza fuera de los humos. No respirar los humos.
- Si esta adentro, ventile el área y / o use ventilación local forzada en el arco para eliminar los humos y gases de soldadura.
- Si la ventilación es mala, use un respirador con suministro de aire aprobado.
- Lea y entienda las Hojas de Datos de Materiales (MDS) y las instrucciones del fabricante para metales, consumibles, recubrimientos, limpiadores y desengrasantes.
- Trabaje en un espacio cerrado solamente si está bien ventilado o mientras está usando un respirador con suministro de aire.
- Tenga siempre un watchperson entrenada cerca. Humos y gases de soldadura pueden desplazar el aire y bajar el nivel de oxígeno y causar lesiones o la muerte. Asegúrese de que el aire respirable es seguro.
- No suelde en lugares cerca de desengrase, limpieza o las operaciones de pulverización. El calor y los rayos del arco puede reaccionar con los vapores y formar gases altamente tóxicos e irritantes.
- No suelde en materiales de recubrimientos, como galvanizado, plomo o cadmio chapado en acero, a menos que el recubrimiento se retira de la zona de soldadura, el área esté bien ventilada, y mientras esté usando un respirador de aire suministrado. Los recubrimientos de cualquier metal que contiene estos elementos pueden emanar humos tóxicos cuando se sueldan.



Soldadura produce humos y gases. Respirando estos humos y gases pueden ser peligrosos para su salud.

HUMOS Y GASES pueden ser peligrosos.

- Utilice sólo piezas de repuesto originales de fabricante.
- Realizar el mantenimiento y el servicio de acuerdo con los manuales del propietario, estándares de la industria, y nacionales, estatales y códigos locales.



Lea y siga todas las etiquetas y el manual del propietario antes de instalar, operar, o unidad de servicio. Lea la información de seguridad al principio del manual y en cada sección.

Lee las instrucciones

- El ruido de algunos procesos o equipo puede dañar la audición..
- Uso aprobado protección para los oídos si el nivel de ruido es alto.



RUIDO puede dañar la audición.

Protégase y proteja a otros contra lesiones - lea, siga y guarde estas importantes precauciones de seguridad e instrucciones de funcionamiento.

I.

Uso de símbolos



PELIGRO! - Indica una situación peligrosa que, si no se evita, provocará la muerte o lesiones graves. Los peligros posibles se muestran en los símbolos adjuntos o se explican en el texto.



Indica una situación peligrosa que, si no se evita, provocará la muerte o lesiones graves. Los peligros posibles se muestran en los símbolos adjuntos o se explican en el texto.

AVISO - Indica precauciones no relacionadas a lesiones personales.

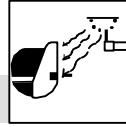


Indica instrucciones especiales.

Este grupo de símbolos significa **¡Advertencia! ¡Cuidado! ¡DESCARGA ELÉCTRICA**, partes móviles, y peligros de PARTES CALIENTES. Consulte a los símbolos e instrucciones relacionados abajo para las acciones necesarias para evitar los peligros.

III. Soldadura por Arco Peligros

⚠ Solamente personas calificadas deben instalar, operar, mantener y reparar esta unidad.



RAYOS DEL ARCO pueden quemar los ojos y la piel

Los rayos del arco del proceso de soldadura producen intensos visuales e invisibles (ultravioleta e infrarrojo) rayos que pueden quemar los ojos y la piel. Chispas se escapan de la soldadura.

- Use un casco de soldar equipado con un tono apropiado de filtro para proteger su cara y ojos al soldar o ver (ver ANSI Z49.1 y Z87.1 enumeran en Normas Seguridad). Consulte Selección de sombra de la lente en la página 7.
- Use gafas de seguridad aprobadas con protección lateral debajo de su casco.
- Use pantallas de protección o barreras para proteger a otros de flash, resplandor, y las chispas; advertir a otros que no miren el arco.
- Use ropa protectora hecha de material durable, resistente a la llama (cuero, algodón grueso, y la lana) y protección para los pies.
- Antes de la soldadura, ajuste la configuración para cumplir con la solicitud de sensibilidad lente auto-oscurcimiento.
- Deje de soldadura inmediatamente si la lente de auto-oscurcimiento no se oscurece cuando se golpea el arco.
- Consulte el manual del propietario para obtener más información.



CÁSCOS DE SOLDADURA no proporcionan ojo limitado, oído, y la cara.

Los rayos del arco del proceso de soldadura producen intensos visuales e invisibles (ultravioleta e infrarrojo) rayos que pueden quemar los ojos y la piel. Chispas se escapan de la soldadura.

- Utilice siempre gafas de impacto resistentes o gafas de seguridad y protección para los oídos cuando se utiliza este casco de soldadura.
- No utilice este casco mientras se trabaja con o alrededor de explosivos o líquidos corrosivos
- No utilice este casco mientras se trabaja con o alrededor de explosivos o líquidos corrosivos
- Inspeccione el auto-lentes con frecuencia. Reemplace inmediatamente cualquier lente cubierta rayados, rotos o sin hueso o auto-lentes.

Tabla de contenidos

I.	1	Uso De Símbolos
II.	1	Soldadura Por Arco Feligros
	1	Rayos Del Arco
	1	Cascos De Soldadura.....
	2	Ruido
	2	Lee Las Instrucciones
	2	Humos Y Gases
III.	2	Proposición 65 Advertencias
IV.	3	Instrucciones De Seguridad
V.	4	Instrucciones De Operación
	4	Función
	4	Antes De Soldar
	4	Número De Sombra Y De Selección De Modo
	5	Ajuste De La Diadema
	5	Células Solares
	5	Sombra Selector
	5	Filtros
VI.	5	Especificaciones Técnicas
VII.	6	Selección De Shader Oscuro
VIII.	7	Sensibilidad Y Retraso De Selección
	7	Control De Sensibilidad.....
	7	Control De Retardo
	7	Batería Baja
IX.	8	Lente Y Casco De Mantenimiento
X.	9	Lista De Piezas Y Diagrama
XI.	10	Solución De Problemas
	11	Garantía

NOTA

LEA ATENTAMENTE LAS INSTRUCCIONES ORIGINAL ANTES DE UTILIZAR ESTE PRODUCTO. EL FABRICANTE SE RESERVA EL DERECHO DE HACER CAMBIOS Y MEJORAS EN LOS PRODUCTOS Y DE ALTERAR LAS ESPECIFICACIONES SIN PREVIO AVISO

¡Apreciamos tu negocio.

Gracias y felicitaciones por la elección de Smarter Tools. Ahora usted puede dejar de trabajar más duro y empezar a trabajar más inteligentemente.

Este Manual de instrucciones ha sido diseñada para instrucciones sobre el correcto uso y funcionamiento de su producto 'Smarter Tools'. Su satisfacción con este producto y su operación segura es nuestra preocupación última. Por lo tanto, por favor tómese el tiempo para leer todo el manual, especialmente las Precauciones de seguridad. Ellos le ayudarán a evitar peligros potenciales que pueden existir al trabajar con este producto.

ADVERTENCIA!

LEER Y ENTENDER TODAS LAS MEDIDAS DE SEGURIDAD EN ESTE MANUAL ANTES DE OPERAR. NO CUMPLIR CON LAS INSTRUCCIONES EN ESTE MANUAL PUEDE CAUSAR DAÑOS PERSONALES, DAÑOS A LA PROPIEDAD Y / O anulación de su garantía. HERRAMIENTAS MÁS INTELIGENTES NO SERÁN RESPONSABLES DE CUALQUIER DAÑO A CAUSA DE INCUMPLIMIENTO DE ESTAS INSTRUCCIONES.



Operating Manual Number 0-ST550S715

Smarter Tools M550S Auto Darkening Welding Helmet Part No. M550S

Published by:

Smarter Tools, Inc.

12195 Harley Club Drive

Ashland, VA 23005

(804) 798.8588

www.usesmartertools.com

derechos de autor © 2015 by
Smarter Tools, Inc.

La reproducción de esta obra, en su totalidad o en parte, sin el permiso por escrito del editor están estrictamente prohibidos.

El editor no asume y por la presente se exime de cualquier responsabilidad a cualquier parte por cualquier pérdida o daño causado por cualquier error u omisión en este manual, si el error deriva de negligencia, accidente o cualquier otra causa. Fecha de publicación: 07/31/15

instrucciones

Manual de



Mega-550S
OSCURECIMIENTO
AUTOMÁTICO
SOLDADURA
CASCO

Don't work harder. Work smarter.

