

BATTERY CHARGER

BTC-1005A



1. This charger is designed for indoor use only and should never expose this product to rain or wet conditions.
2. Make sure you are using proper AC line power voltage.
3. Do not attempt to use the charger if it has been dropped or damaged.
4. Never attempt to charge a damaged battery, frozen battery or non-rechargeable battery.
5. Do not use the charger in a closed area or poorly-ventilated area.
6. The battery charger should be away from any heat source or ignitable air, which would possibly cause explosion.
7. Don't replace the cord and plug.
8. If battery charger does not work properly, don't repair it on your own, otherwise it would possibly be damaged and cause people injury.
9. Keep the battery charger away from children and animals.
10. Disconnect the battery charger after turning off.

11. Before charging, check the battery type and max. Charging current is allowed, or get this information from battery supplier.
12. Use goggle during connect or disconnect battery charger to battery.
13. Do not operate this product in explosive atmospheres, such as in the presence of flammable liquids, gases or dust, could result in serious injury.
14. Don't insert any metal things into the ventilator of battery charger.
To reduce risk of damaging the Battery, avoid dropping any metal tools onto the battery.
15. Don't put the battery charger too close to the battery during charging.
16. During charging, the battery must be placed in a well ventilated area
17. This appliance can be used by children aged from 8 years and above and persons with reduced physical, sensory or mental capabilities, or lack of experience and knowledge if they have been given supervision or instruction concerning use of the appliance in a safe way and understand the hazards involved.children shall not play with the appliance.cleaning and user maintenance shall not be made by children without supervision.
18. If the supply cord is damaged, it must be replaced by the manufacturer, its service agent or similarly qualified persons in order to avoid a hazard.
- 19.It only can be used for lead-acid rechargeable batteries.



- warning against recharging non-rechargeable batteries
- The battery terminal not connected to the chassis has to be connected first. The other connection is to be made to the chassis, remote from the battery and fuel line. The battery charger is then to be connected to the supply mains;
- After charging, disconnect the battery charger from the supply mains. Then remove the chassis connection and then the battery connection.
- cleaning and user maintenance shall not be made by children without supervision

Read the **ENTIRE IMPORTANT SAFETY INFORMATION** section at the beginning of this manual before set up or use of this product.

Control Board and Display

Function Buttons and LED Display



Switch of voltage Selection

Press switch up for charging 6V battery and press switch down for charging 12V battery. Charge voltage can not be selected after charging or during charging



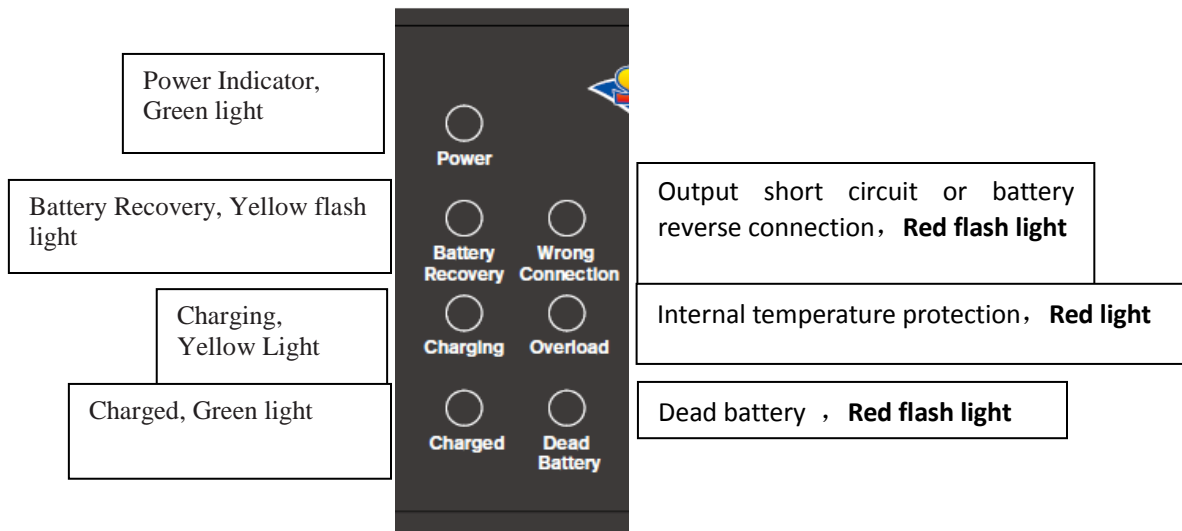
Switch of Power ON/OFF

Press switch up is ON and press switch down is OFF. Before you press the switch make sure that the battery charging voltage is selected correctly, it is very important, if you choose wrong, it will damage the battery or charger.



LED Display of Charging condition

The LED will indicate the charging condition when charging.



Charging current switch

When charging the battery according to the battery capacity (refer to the battery charging current can be recommended in the specification), the current selection switch to select suitable battery charging current, charging current can not exceed the maximum current of the battery, so as not to damage the charger or battery.



LED Display information

- 1. power** Connect the Household power, Turn on the power switch, Green light.
- 2. battery recovery** if the battery voltage is too low, Yellow light indicator flashes, first to recovery-charging(Max Amp 1A), it will last for one hour,if the battery voltage can be recovered to be above 8.5V(12V battery), 4.5V(6V battery), the charging light will turn on, recovery light will be off, recovery-charging will turn to normal charging. If it can not be recovered to normal voltage, dead battery red light will be on, recovery light will be off.
- 3. charging** When charging, yellow light will be on
- 4. charged** When charged, green light will be on, disconnect the battery connection, light will be off.
- 5. wrong connection when the** Red/black clamp is circuit short or the battery is connected reversely, or the charger is connected to 12V battery under the condition of 6V, red light will flash.
- 6. overload** If the internal temperature is above 80°C, the red light will be on, it can be charged, if above 100°C, the output will be cut, charging light will be off, this red light will be on.
- 7. dead battery** If the battery can not reach the preset voltage above 8.5V(12V battery), 4.5V(6V battery), after 1 hour recovery, the recovery will stop, red light will be on to judge it as a dead battery.

Warning: When charging, according to the battery voltage, select the charger charging voltage, so that the charger output voltage to meet the requirements of the battery requirements, so as not to use the wrong voltage charge battery

Ammeter display battery status



The ammeter indicates the battery capacity by the percentage of battery capacity
0 -10A Charging current be appropriate for 6-100 AH Lead-acid battery

Charging Procession

Connect the battery charger to the mains power (120V AC):

Connecting 120V AC power supply, the power LED will indicate. If the output is in a short-circuit situation, the LED will indicate "Fault", , please solve the problem.

Connecting the battery charger to your Battery

Connect the red clamp from the charger to the positive (+) battery terminal. The Black clamp from the charger to the negative (-) battery terminal. (The "Fault" LED will indicate if output reverse polarity connection, please re-connect)

Start the charging

Connect AC plug to 120V power correctly, Select charging voltage 6v or 12v battery (If you are not sure the battery type please read the battery's rating label first). Then connect both of clamps with battery terminals, turn on the power switch and began charging, final select appropriate current.

Floating charging function

Battery is fully charged and is ready for use. Chargers will output a constant safe voltage, remained voltage between $7.2V \pm 0.25v$ for 6V battery or $14.3V \pm 0.25v$ for 12V battery.

SPECIFICATIONS PARAMETERS

Rated input: 120V AC 50Hz 150W

Rated output: 12V/6VDC 0-10A

Max charging current: 10A (short time)

Battery Type: 6V/12V Lead-acid Battery

Max. capacity:100Ah

Output Display: LED and ammeter



Meaning of crossed –out wheeled dustbin:

Do not dispose of electrical appliances as unsorted municipal waste, use separate collection facilities.

Contact you local government for information regarding the collection systems available.

If electrical appliances are disposed of in landfills or dumps, hazardous substances can leak into the groundwater and get into the food chain, damaging your health and well-being.

When replacing old appliances with new ones, the retailer is legally obligated to take back your old appliance for disposals at least free of charge.

Zhejiang Safemate Automotive Safety&Emergency Technology Co., Ltd

Add:78#maan road, qiantan,jiande,zhejiang