

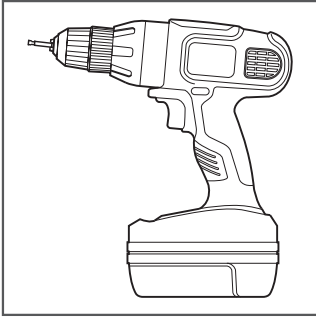
**BDH**



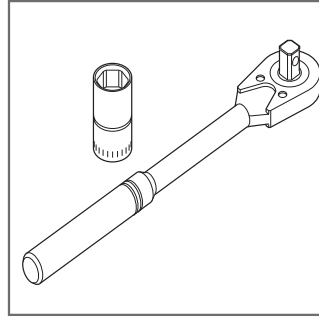
# 2 Panel Door

## ASSEMBLY INSTRUCTIONS

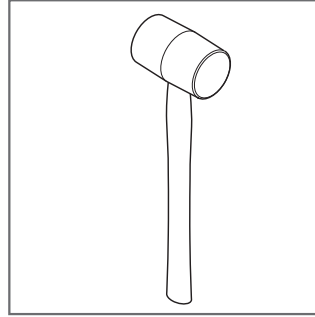
## 2 PANEL DOOR Recommended Tools



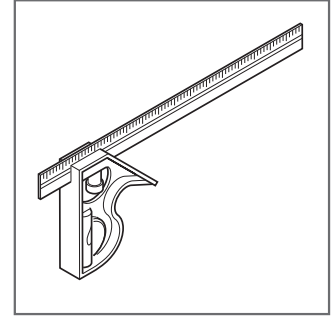
Drill with Phillips Bit



Socket Wrench with  
7/16" Socket

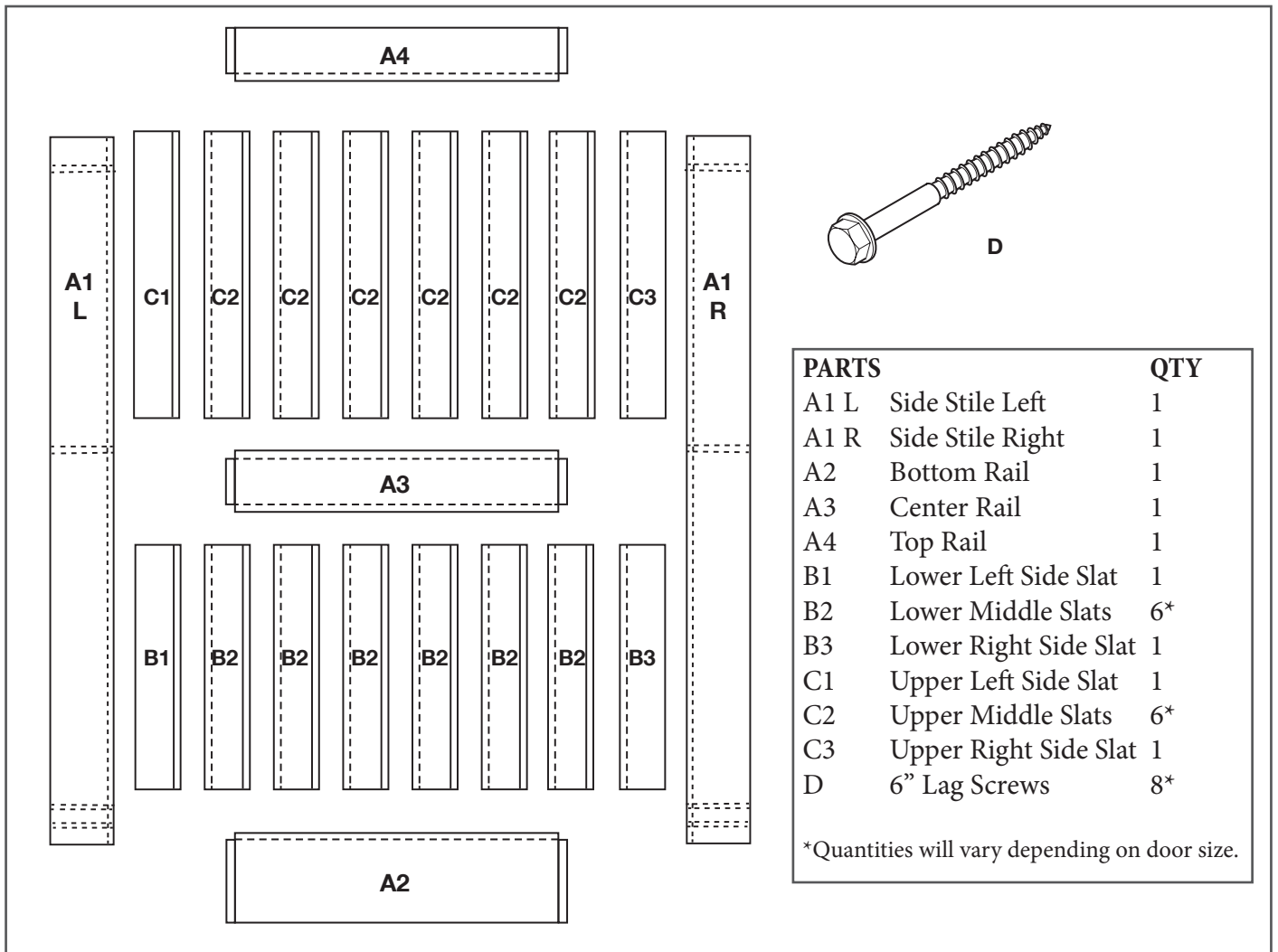


Rubber Mallet

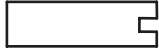
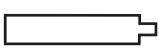
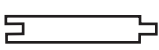
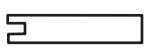



Adjustable Square

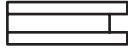
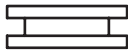
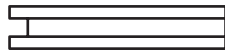
## 2 PANEL DOOR Parts



## 2 PANEL DOOR Before You Begin

A L Stile	B1/C1 Slat	All B2/C2 Slats	B3/C3 Slat	A R Stile
				

Slat and Stile End Views

Top Rail	Middle Rail	Bottom Rail
		

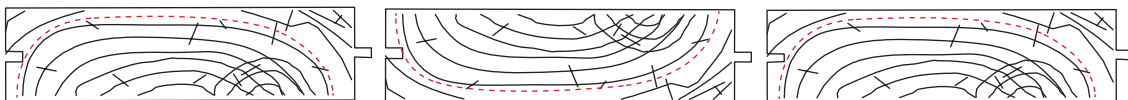
Rail End Views

### FIRST THINGS FIRST

Lay out all wood parts before beginning assembly to ensure parts have not been damaged in shipping. If damage has occurred, call 1(888) 909-6546 and BarnDoors & Hardware will expedite a replacement.

**NOTE:**

This door model comes in various sizes. The instructions have been written for the average single door size; but larger doors may have more wood and fastener parts.

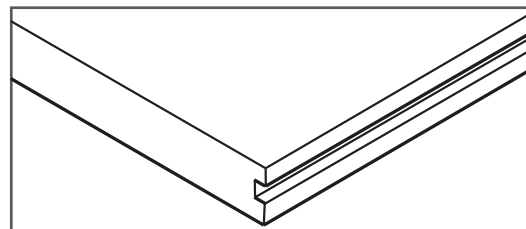


**NOTE:**

Always alternate the direction of the wood grain when assembling slats. This will add strength to the assembly and help prevent warpage.

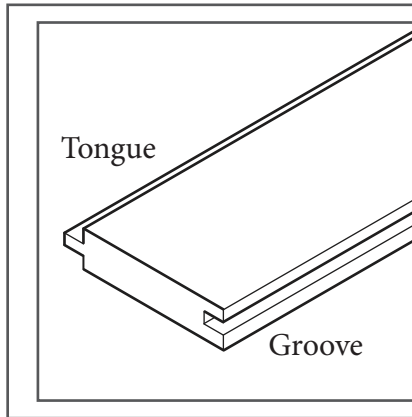
**NOTE:**

Doors using Floor Mount Door Guides will have a groove on the bottom edge. Ensure this groove is on the bottom when hanging the door.



## USE TEAMWORK - WE RECOMMEND TWO PEOPLE FOR THIS BUILD.

## 2 PANEL DOOR Assembly Instructions



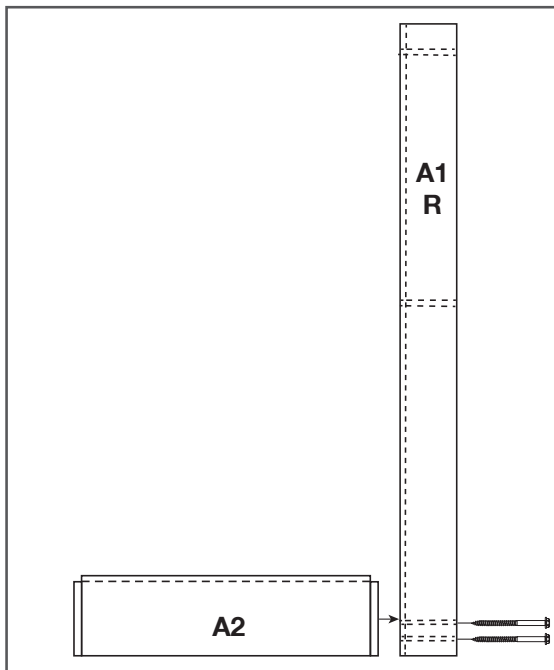
### By Definition:

#### Tongue and Groove

Tongue refers to the ridge extending beyond the main portion of the slat. Groove refers to the slot cut into the other side of the slat.

### NOTE:

The following should be a 'dry' assembly. Do not use adhesives in when putting this door together.

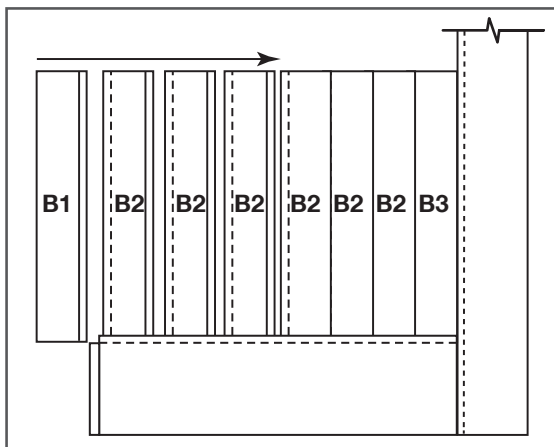


1. Using a rubber mallet, gently tap the lower rail (A2) into the bottom of the right stile rail (A1R). Attach the bottom rail to the side stile using a socket wrench with a 7/16" socket and two lag screws (D) (Figure 1).

### SUGGESTION

Use an adjustable or fixed carpenter's square to ensure all sides of the door are square to each other.

Figure 1



2. Beginning with the lower right side slat (B3) slide the lower slats (B2) with the tongue facing to the right, into the groove of the bottom rail one at a time, ending with the lower left side slat (B1). Tap each in place with the rubber mallet (Figure 2).

Figure 2

## 2 PANEL DOOR Assembly Instructions

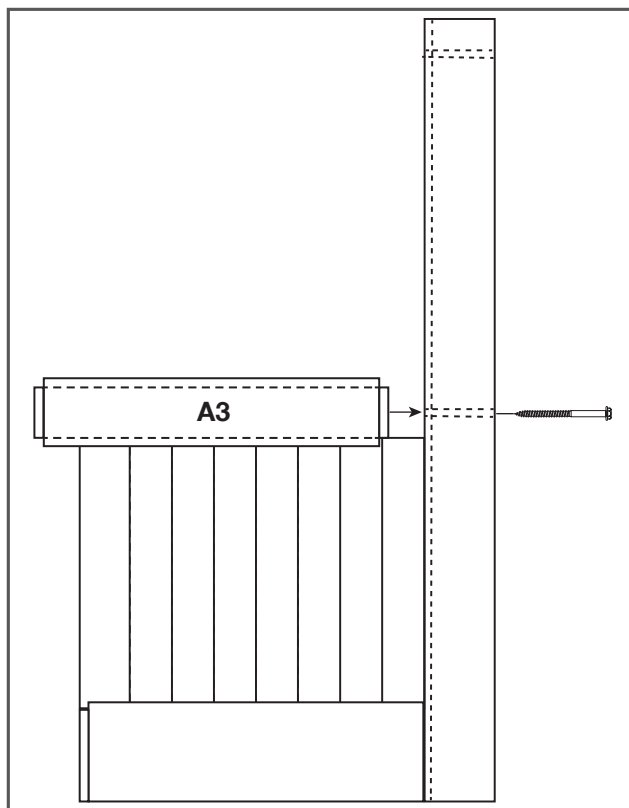


Figure 3

3. Slide the center rail (A3) lower groove over the top of the lower slats. Tap with a rubber mallet into the right side stile. Attach the middle rail to the right stile rail using a socket wrench with a 7/16" socket and one lag screw (D) (Figure 3).

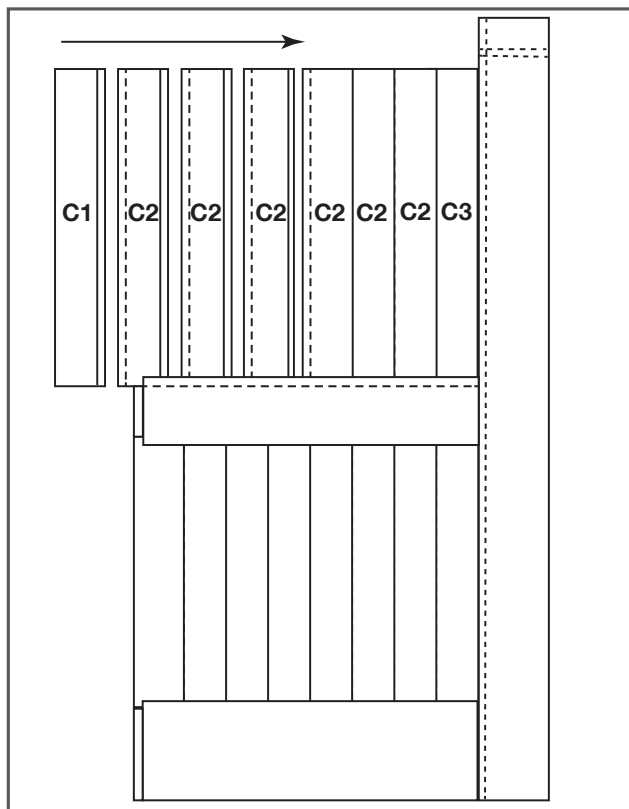


Figure 4

4. Beginning with the upper right side slat (C3) slide the upper slats (C2) into the groove of the center rail (A3) one at a time, ending with the upper left side slat (C1). Tap each in place with the rubber mallet (Figure 4).

## 2 PANEL DOOR Assembly Instructions

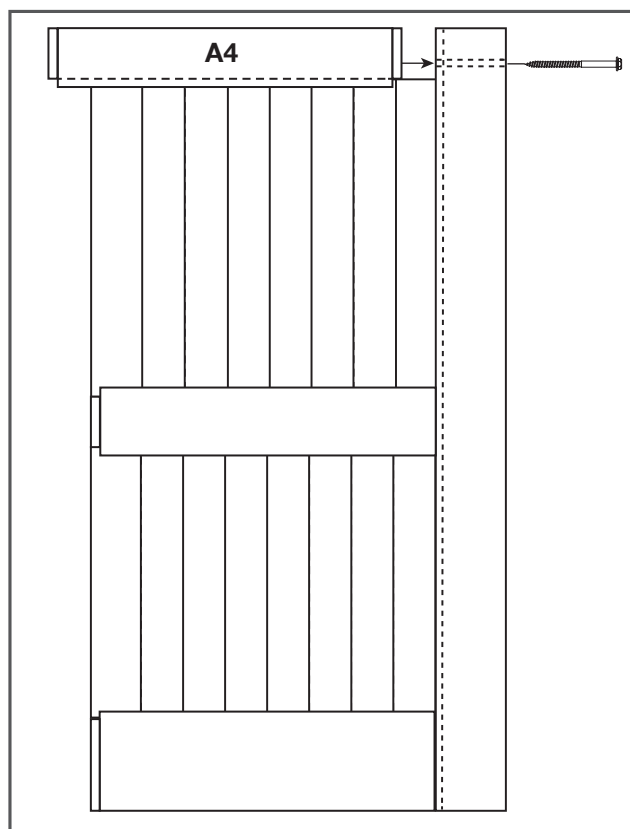


Figure 5

5. Slide the top rail (A4) lower groove over the top of the upper slats. Tap with a rubber mallet into the right side rail. Attach the upper rail to the right side stile using a socket wrench with a 7/16" socket and one lag screw (D) (Figure 5).

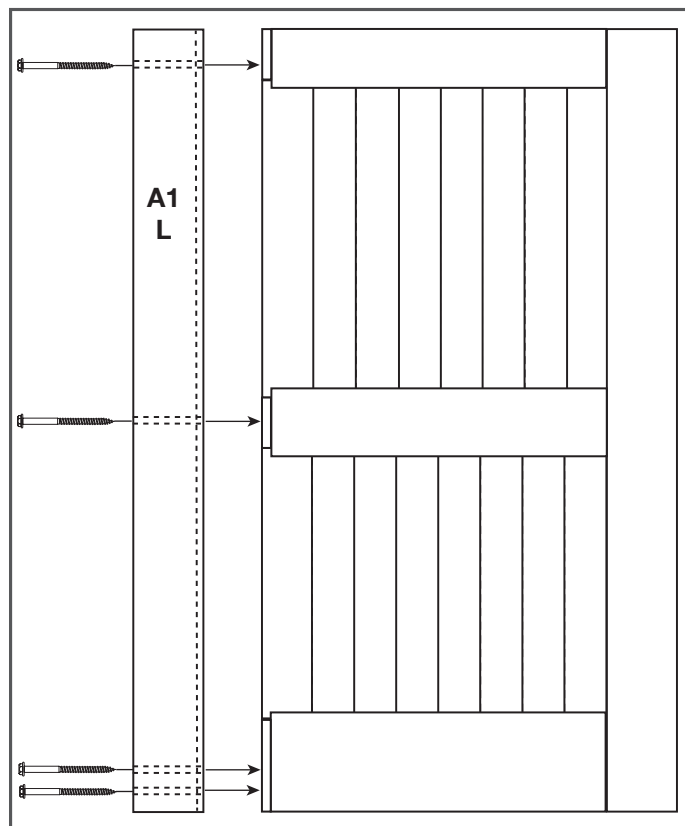


Figure 6

6. Carefully align the left side stile (A1L) to the top, middle, and bottom rails and the top and bottom slats. Gently tap in place with a rubber mallet. Attach to the top, middle, and bottom rails using a socket wrench with a 7/16" socket and the remaining 4 lag screws (D) (Figure 6).

# **We Love What You Are Doing With The Place**

**Congratulations on your decision to bring home  
An American made product of the highest quality.  
We hope your 2 Panel Door brings art and function into  
your life.**

**Designed and crafted  
entirely in the  
U.S.A.**

