



Mon - Thurs 7:30am - 5:00pm | Friday 7:30am - 4:00pm CST

1-800-779-2102

WWW.DEEZEE.COM

**PLEASE INSPECT YOUR PRODUCT FOR DAMAGE
BEFORE PROCEEDING TO INSTALLATION.**

INSTRUCTIONS FOR RETURNS:

ALL PRODUCTS NEED RETURNED TO POINT OF PURCHASE
FOR WARRANTY DEFECTS, DAMAGES, OR RETURNS.

FOR MISSING PARTS PLEASE CONTACT DEE ZEE INC.
1-800-779-2102

REGISTER YOUR PRODUCT ONLINE: **www.deezee.com/registration**

VIEW INSTRUCTIONS ONLINE: **www.deezee.com/instructions**



Dee Zee Bumper Installation Instructions

Congratulations on your purchase of a quality Dee Zee product. Dee Zee is recognized as having the highest quality accessories on the market today. We have earned this reputation by offering our customers a product they can be proud to place on their vehicles.

Note: Please take time to read all of the instructions before beginning this installation.

WARNING!

This product can reduce the driver's ability to clearly see roadways, vehicular or pedestrian traffic and other objects through the rear and side windows of the vehicle, which can cause an accident. Extra precautions should be taken when driving a vehicle with this product. Make all adjustments necessary to ensure maximum visibility, including but not limited to, changing mirror and seating positions. State and local laws may prohibit obstruction of windows in a moving vehicle.

WARNING!

These instructions are to be followed using the parts and fasteners supplied for proper installation. Any modifications or improper installation of this product will create a hazardous condition that can cause property damage, serious personal injury or death.

NOTICE

Any modification or unintended use of this product shall immediately void all manufacturers' warranties. Manufacturer disclaims all liability for injuries to persons or property resulting from any modification to, or unintended use of this product.

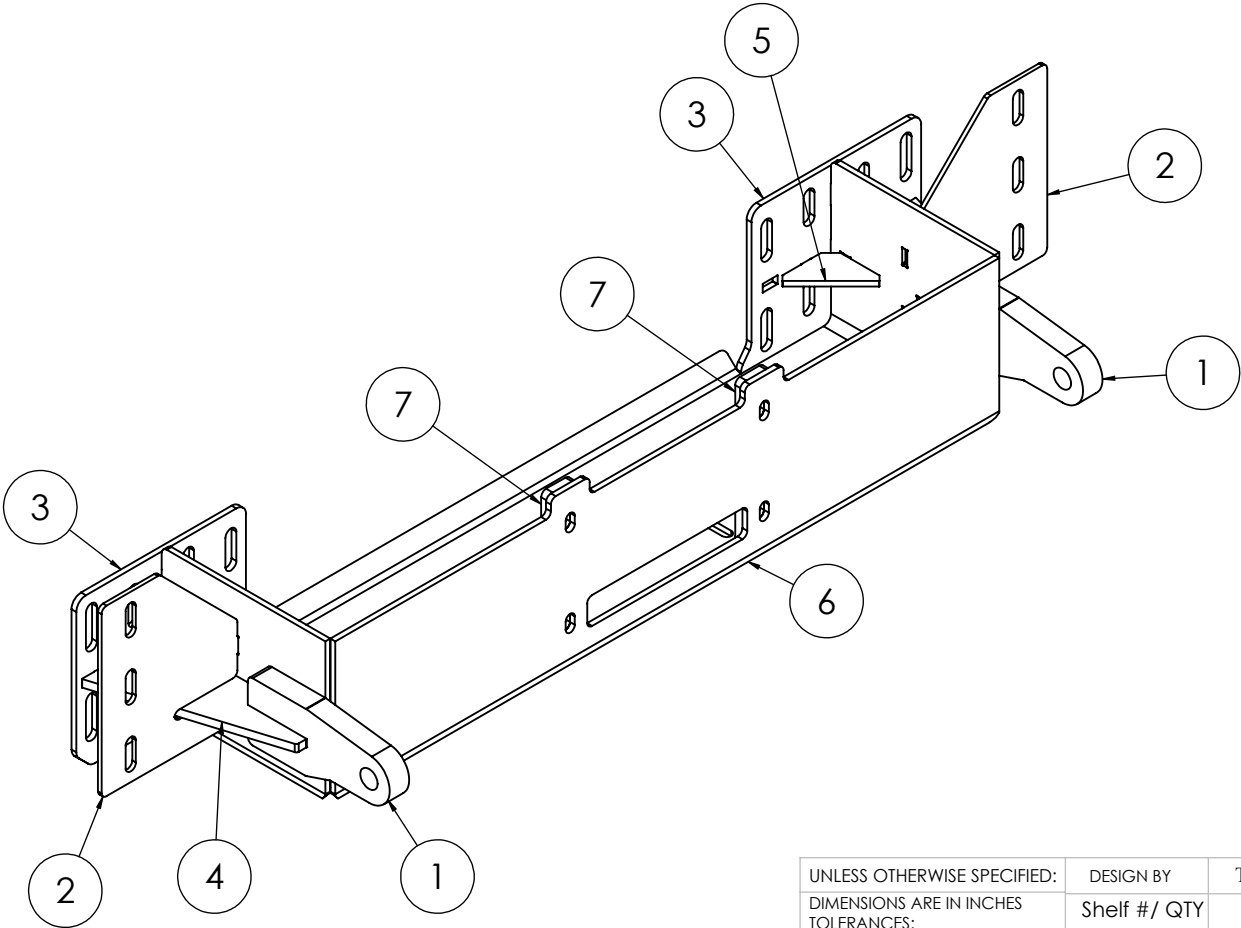
If you should happen to have any questions with this product or you have an installation question, please feel free to call us at:

1-800-779-2102

If you would like to find out more information on Dee Zee's products, please feel free to visit our website at:

WWW.DEEZEE.COM

ITEM NO.	PART NUMBER	DESCRIPTION	QTY.
	<i>Parts</i>		
1	71001	Tow Hook Mounting Plate	2
2	71003	Bumper Mounting Plate	2
3	71004	Frame Bracket Mounting Plate	2
4	71005	Support Gusset	2
5	71031	Support Gusset	2
6	71032	Plate - 1/4" - Winch Tray - w/Bends	1
7	71033	Plate - 1/2" - Winch Spacer	2



Kelderman
PROPRIETARY AND CONFIDENTIAL
 THE INFORMATION CONTAINED IN THIS DRAWING IS THE SOLE PROPERTY OF KELDERMAN MFG. INC. ANY REPRODUCTION IN PART OR AS A WHOLE WITHOUT THE WRITTEN PERMISSION OF KELDERMAN MFG. INC. IS PROHIBITED.

UNLESS OTHERWISE SPECIFIED:
 DIMENSIONS ARE IN INCHES
 TOLERANCES:
 FRACTIONAL ± 1/32"
 ANGULAR: MACH ± 1 BEND ± 1
 TWO PLACE DECIMAL ±.030
 THREE PLACE DECIMAL ±.010

MATERIAL
 FINISH
 WEIGHT **79.42**

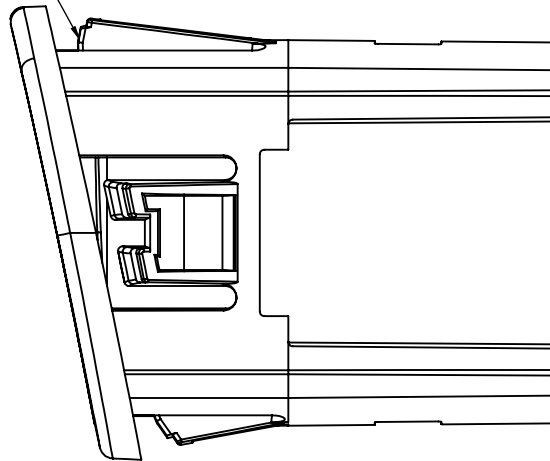
DESIGN BY TJA
 Shelf #/ QTY
 NEW DXF
 Run QTY



Thursday, November 17, 2016 10:47:56 AM
 Project: DeeZee - 3/4 Ton Universal Winch Tray
 TITLE: Weldment - Universal Winch Tray
 SIZE DWG. NO. **A** 71030
 SCALE: 1:20 DO NOT SCALE DRAWING SHEET 1 OF 2

For some bumper applications, it will be necessary to tune the backup sensor housing to fit the new bumper. Most of the sensor housings utilize a plastic housing that snaps into the bumper. If the snap features do not work correctly, it will be necessary to file a small amount of the snap feature so that it snaps into the bumper correctly.

File away any extra plastic



Wednesday, February 24, 2016 3:10:55 PM

UNLESS OTHERWISE SPECIFIED: DIMENSIONS ARE IN INCHES TOLERANCES, Unless Specified FRACTIONAL $\pm 1/32"$ ANGULAR: MACH $\pm .5^\circ$ TWO PLACE DECIMAL $\pm .03$ THREE PLACE DECIMAL $\pm .010$	DESIGN BY	TJA	
MATERIAL	Shelf #/ QTY		
FINISH	NEW DXF		
WEIGHT	Run QTY		

PROPRIETARY AND CONFIDENTIAL		
THE INFORMATION CONTAINED IN THIS DRAWING IS THE SOLE PROPERTY OF KELDERMAN MFG. INC. ANY REPRODUCTION IN PART OR AS A WHOLE WITHOUT THE WRITTEN PERMISSION OF KELDERMAN MFG. INC. IS PROHIBITED.		

Project: Purchased	
TITLE: Parking Sensor Bezel	
DWG. NO.	80055
SCALE: 1:1	
kelderman	
DO NOT SCALE DRAWING	
SHEET 2 OF 2	