

Installation Instructions

Part Numbers:

Dodge Dart

24890
60309
77278

Drawbar Kit:
3592

**Do Not Exceed Lower of Towing Vehicle
Manufacturer's Rating or**

2000 LB (908 Kg) Max Gross Trailer Weight
200 LB (90.8 Kg) Max Tongue Weight

Wiring Access Location: P3, 4

Drawbar must be used in the **RISE** position only.

Hitch Shown In Proper Position

Equipment Required:

Fastener Kit: 24890F

Wrenches: 3/4"

Drill Bits: None

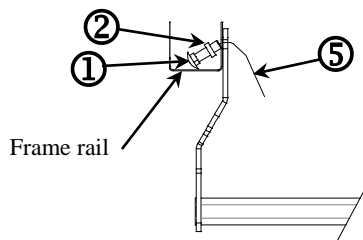
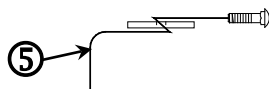


Figure 2.



Kink pull wire to keep block independent of bolt

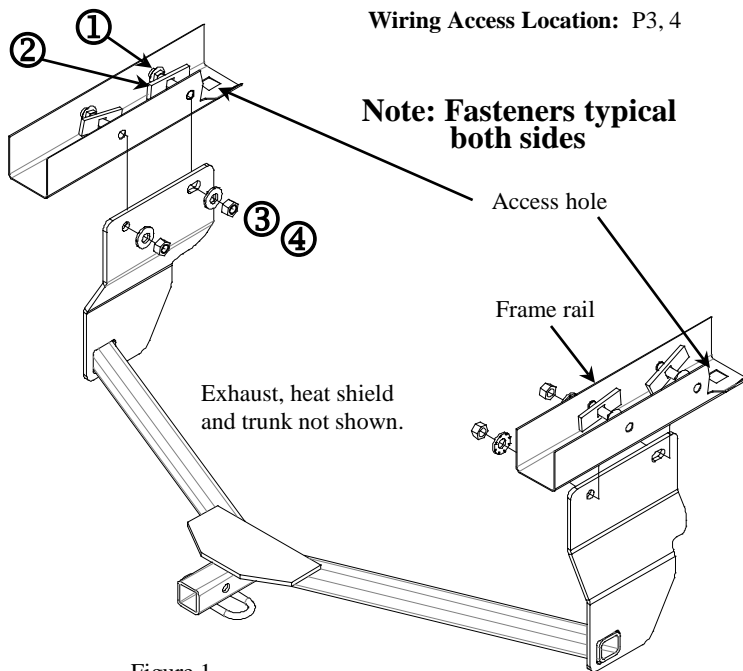


Figure 1.

Note: Fasteners typical both sides

①	Qty. (4)	Carriage bolt 1/2-13 X 2.00 Gr5	④	Qty. (4)	Hex nut 1/2-13
②	Qty. (4)	Spacer 1/4" X 1.00 X 3.00	⑤	Qty. (4)	Pull wire 1/2"
③	Qty. (4)	Conical washer 1/2"			

Note: on dual exhaust with appearance panels is a tight working area. Wait until exhaust pipes have cooled to install hitch.

1. Remove (2) round plugs side of frame rail and (1) square plug from bottom of the frame rail, each side. Return (4) round plugs to owner.
2. Feed the pull wire through the holes in the side of the frame and out through the access holes, attach spacer and bolt and feed one at a time into the frame rail. Leave the pull wire attached. Repeat on both frame rails.
3. Push carriage bolt with pull wire attached back into the frame rail leaving pull wire sticking out. As shown in Figure 2.
4. Feed pull wires through the holes on the brackets.
5. Raise hitch into position as shown. Figure 1 Note: on dual exhaust locate the hitch near the muffler then raise along exhaust pipes and move rearward into position
6. Pull carriage bolts back into place, carefully remove pull wire and attach conical washers and hex nuts.
7. Torque all fasteners to specifications.
8. Reinstall square plugs removed in step 1.

Tighten all 1/2-13 GR5 fasteners with torque wrench to 75 Lb.-Ft. (102 N*M)

Note: check hitch frequently, making sure all fasteners and ball are properly tightened. If hitch is removed, plug all holes in trunk pan or other body panels to prevent entry of water and exhaust fumes. A hitch or ball which has been damaged should be removed and replaced. Observe safety precautions when working beneath a vehicle and wear eye protection. Do not cut access or attachment holes with a torch.

This product complies with safety specifications and requirements for connecting devices and towing systems of the state of New York, V.E.S.C. Regulation V-5 and SAE J684.