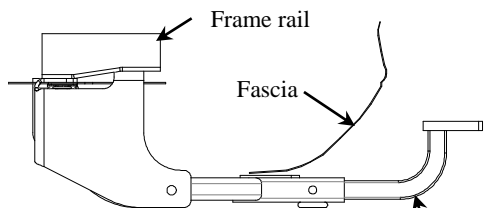


Installation Instructions

Part Numbers:

24877
60294
77264



Volkswagen Beetle
will not fit Turbo

Drawbar Kit:
3594

**Do Not Exceed Lower of Towing Vehicle
Manufacturer's Rating or**

2000 LB (908 Kg) Max Gross Trailer Weight
200 LB (90.8 Kg) Max Tongue Weight

Rearward →

Drawbar must be used in the **RISE** position only.

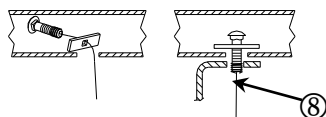
Hitch Shown In Proper Position

Wiring Access Location: PC3 & 4

Equipment Required:

Fastener Kit: 24877F

Wrenches: 12mm, 11/16"



Reverse pullwire technique

Example of
pullwire procedure

Figure 3.

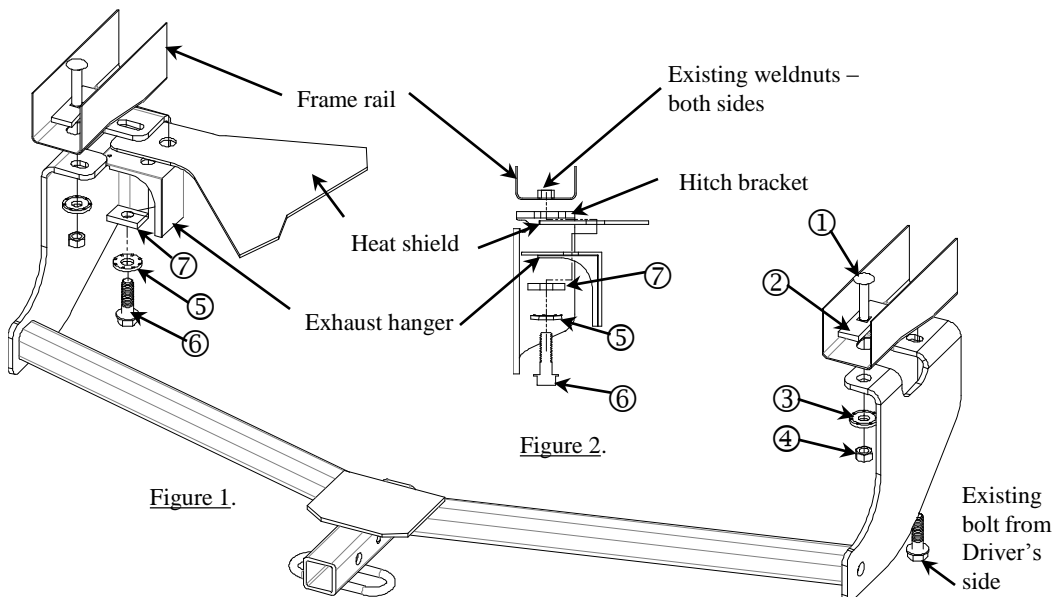


Figure 1.

Figure 2.

①	Qty. (2)	7/16-14 X 2.00 Carriage bolt GR5	⑤	Qty. (1)	M12 X 1.50 X 45 CL 10.9
②	Qty. (2)	Spacer .25 X 1.00 X 3.00	⑥	Qty. (1)	1/2" Conical washer
③	Qty. (2)	7/16" Conical washer	⑦	Qty. (1)	Spacer .25 X 1 X 1.50
④	Qty. (2)	7/16-14 Hex nut	⑧	Qty. (2)	7/16 Pullwire

1. Remove existing exhaust hanger bolt on driver side frame rail. Retain for use in passenger frame rail.
2. Run M12 bolts into the forward bolt hole on passenger side rail to clear threads and remove.
3. Install 7/16 carriage bolt and spacer as shown using the reverse pullwire method as shown in Fig. 3. Leave pullwires attached.
4. Feed pullwires through the rearward holes on the hitch.
5. Raise hitch into position as shown. On the drivers side rail slide the heat shield and exhaust hanger into position on top of the hitch bracket and install the bolt and conical and spacer item 7 through the hanger, heat shield and hitch bracket. See Fig. 1 & 2 On passenger side rail reuse the bolt removed in step 1.
6. Using forward bolts to hold the hitch in place remove pullwires and attach conical washers and hex nut.
7. Tighten all fasteners to the required torque specification.

Tighten all M12 CL10.9 fasteners with torque wrench to 90 Lb.-Ft. (120 N*M)

Tighten all 7/16 GR5 fasteners with torque wrench to 50 Lb.-Ft. (68 N*M)

Note: check hitch frequently, making sure all fasteners and ball are properly tightened. If hitch is removed, plug all holes in trunk pan or other body panels to prevent entry of water and exhaust fumes. A hitch or ball which has been damaged should be removed and replaced. Observe safety precautions when working beneath a vehicle and wear eye protection. Do not cut access or attachment holes with a torch.

This product complies with safety specifications and requirements for connecting devices and towing systems of the state of New York, V.E.S.C. Regulation V-5 and SAE J684.